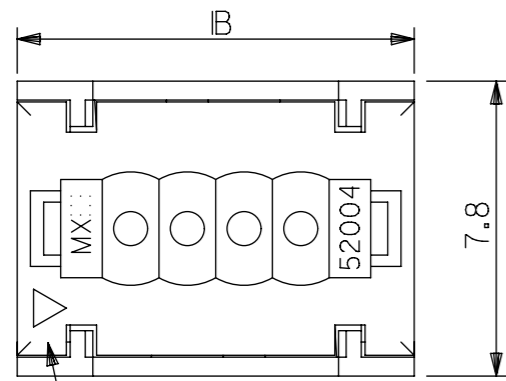
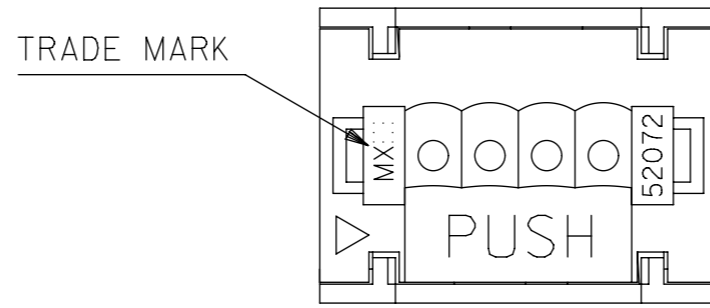


FOR 3~12CKTS.



FOR 13~17CKTS.

(ONLY COVER SHAPE IS DIFFERENT FROM 3~12CKTS.)



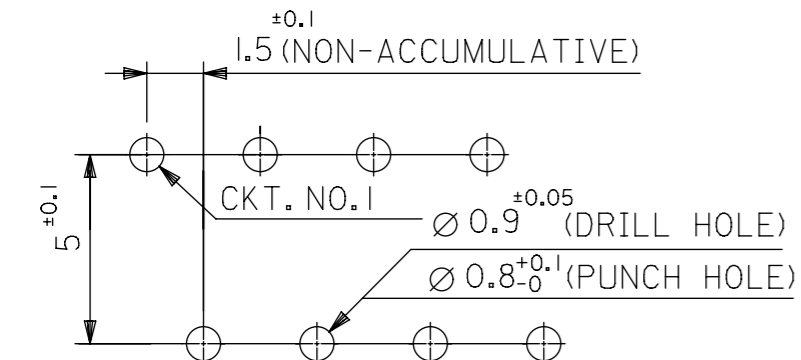
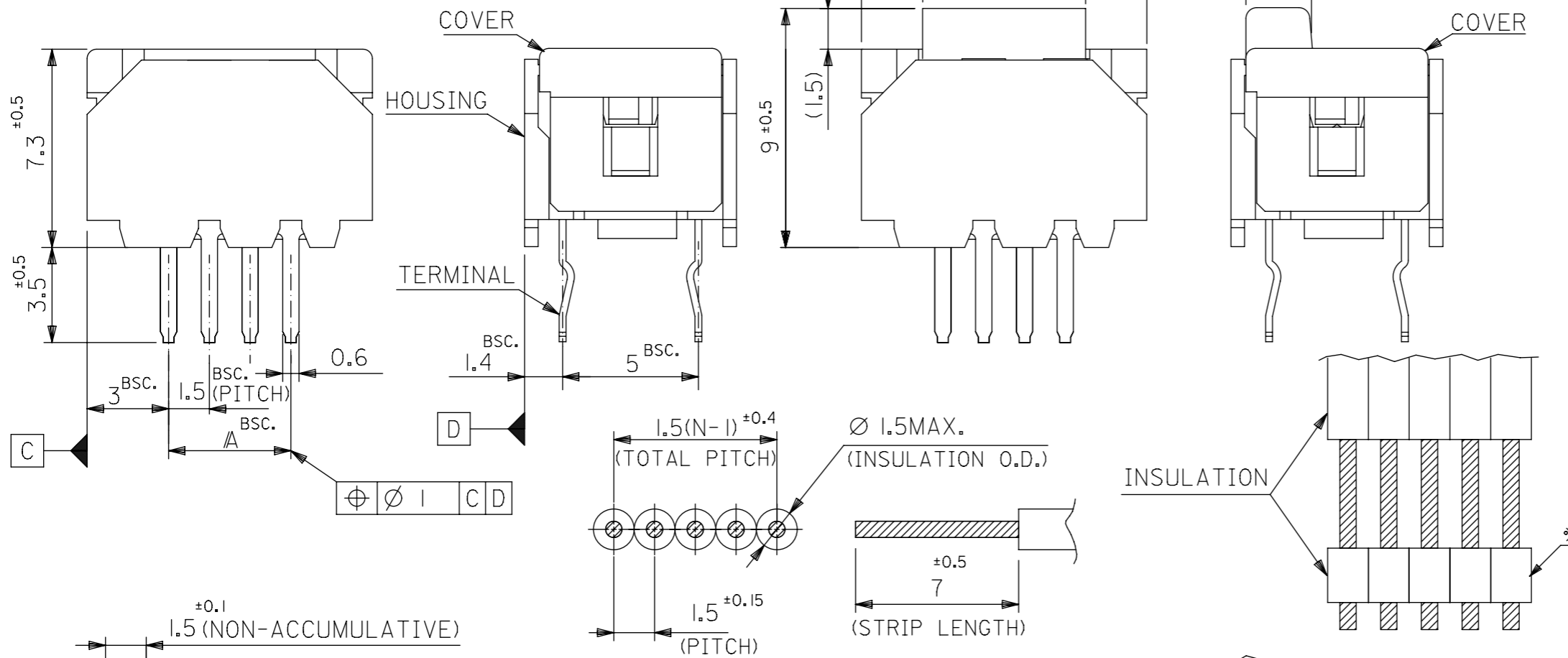
NOTES: 1. MATERIAL

TERMINAL: PHOS-BRO, TIN-PLATED. (t=0.254)
 HOUSING: PBT(15%G.F.), UL94V-0
 G.E. PLASTICS JAPAN LTD.
 VALOX DR-48 UL FILE NO. E45587
 COVER: PBT(30%G.F.), UL94V-0
 G.E. PLASTICS JAPAN LTD.
 VALOX 420-SEO UL FILE NO. E45587

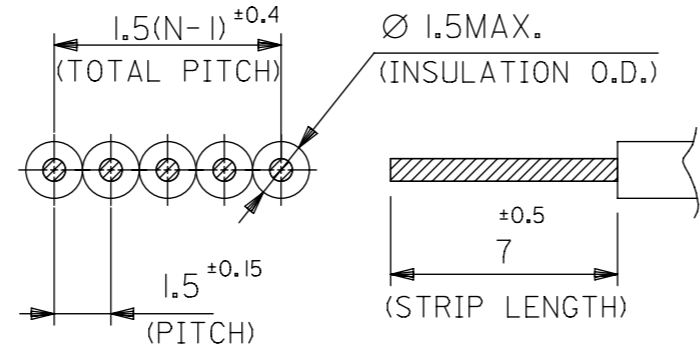
2. APPLICABLE WIRE

1.5 PITCH RIBBON CABLE
 (UL2468, AWG#24~#26 TOP-COATED WIRE)

3. THE CABLE STRIPED AS SHOWN IN THE FIG.,
 ※ (MARKED INSULATION) PART SHOULD NOT
 BE PUSHED AND SLID DIRECTLY BY THE COVER,
 BECAUSE THE COVER MAY BE POSSIBLY PUSHED DOWN.



RECOMMENDED P.C. BOARD HOLE DIM. (t=1.6)
 (COMPONENT SIDE)



RECOMMENDED WIRE DIM.

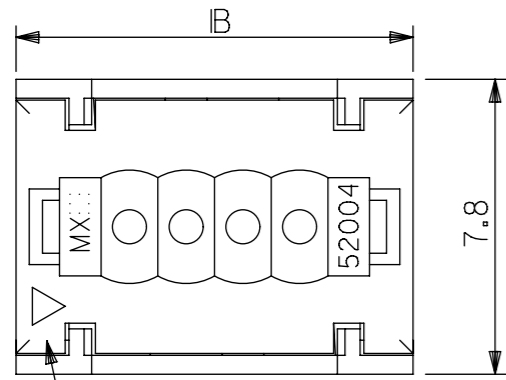
PENDING APPROVAL

25.5	19.5	52004-1410	14
24	18	52004-1310	13
B	A	ENG. NO.	極数

THIS DRAWING CONTAINS INFORMATION THAT IS PROPRIETARY TO MOLEX ELECTRONIC TECHNOLOGIES, LLC AND SHOULD NOT BE USED WITHOUT WRITTEN PERMISSION		CURRENT REV DESC:		molex	
GENERAL TOLERANCES (UNLESS SPECIFIED)		EC NO: 628958			
10 UNDER ±0.2		DRWN: AKUMAR19		PRODUCT CUSTOMER DRAWING	
10 OVER 30 UNDER ±0.25		CHK'D:		DOCUMENT NUMBER	
30 OVER ±0.3		APPR:		SD-52004-XX10	
ANGULAR TOL ± 3.0°		INITIAL REVISION:		DOC TYPE DOC PART REVISION	
DRAFT WHERE APPLICABLE MUST REMAIN WITHIN DIMENSIONS		DRWN: SKUNISHI		PSD 001 G	
THIRD ANGLE PROJECTION		APPR: MFUKUSHIMA		SHEET NUMBER	
DRAWING		SERIES		1 OF 2	
A3-SIZE		52004		SEE TABLE	
MATERIAL NUMBER		CUSTOMER		GENERAL MARKET	

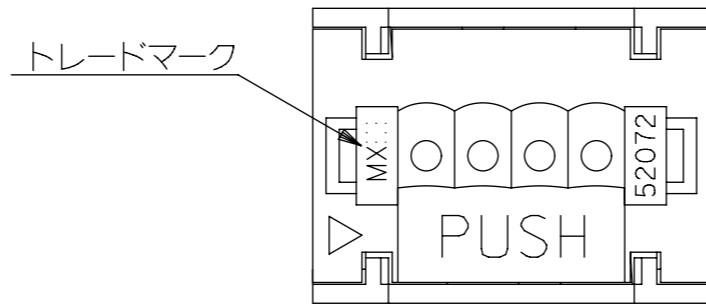
DOCUMENT STATUS	RQ	RELEASE DATE
-----------------	----	--------------

3極から12極の形状



回路NO. 1側マーク

13極から17極の形状
(カバーの形状のみ異なる)



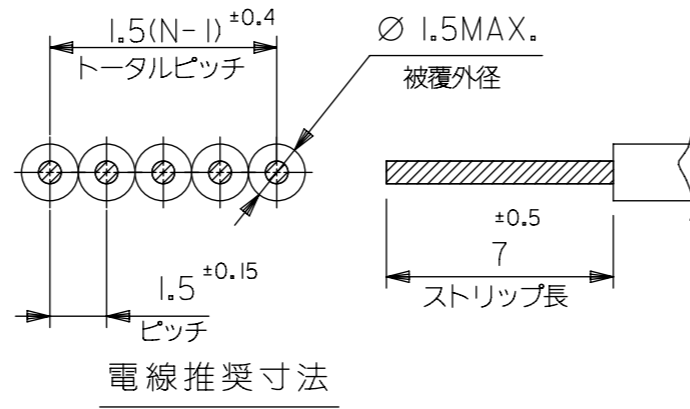
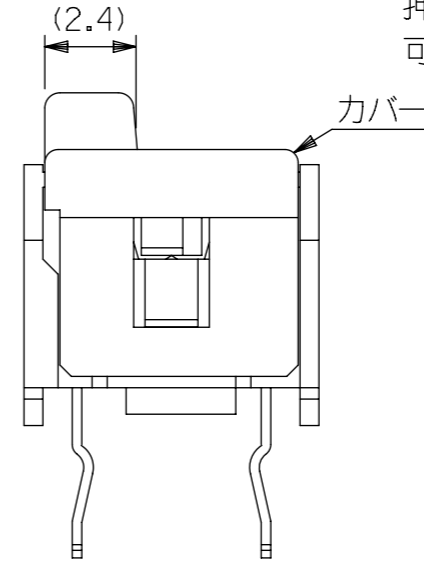
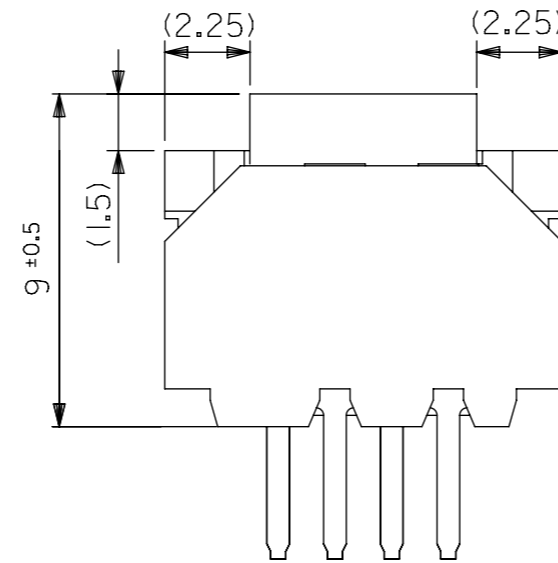
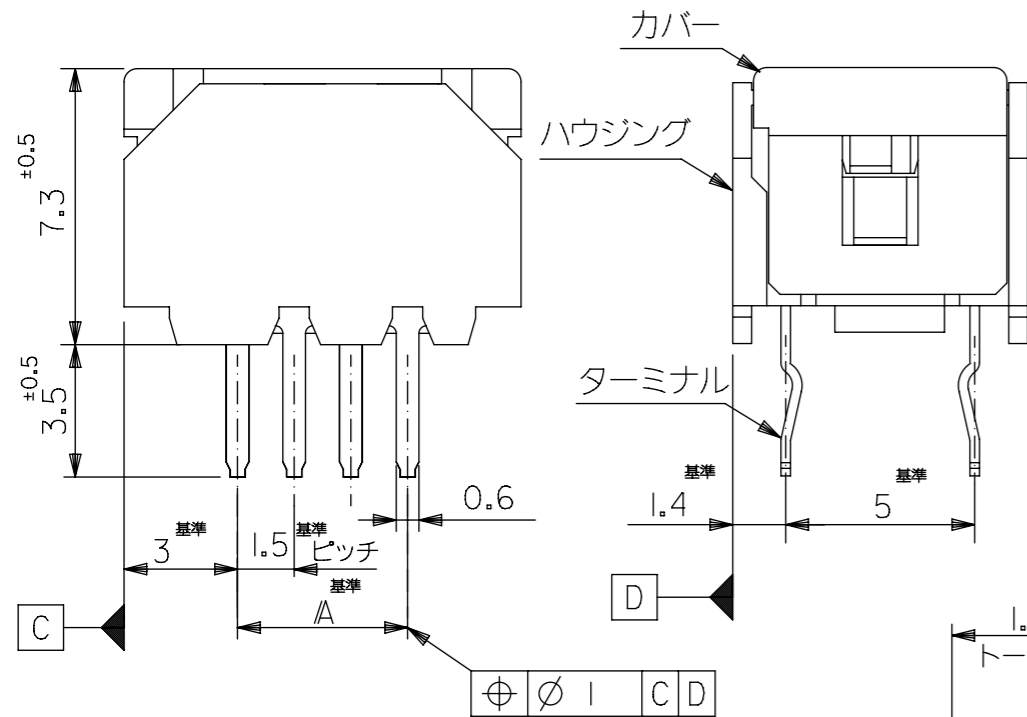
トレードマーク

(注記) 1. 材質

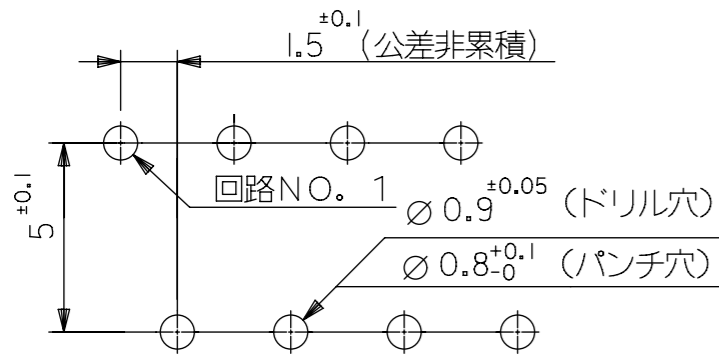
- ターミナル: 燐青銅材, 錫メッキ (t=0.254)
- ハウジング: PBT(15%G.F.), UL94V-0
G.E. PLASTICS JAPAN LTD.
VALOX DR-48 UL FILE NO. E45587
- カバー: PBT(30%G.F.), UL94V-0
G.E. PLASTICS JAPAN LTD.
VALOX 420-SEO UL FILE NO. E45587

2. 適用電線

- 5mmピッチリボンケーブル。
(UL2468、AWG#24~#26錫コート線)
- 下図の様な末端処理ケーブルにて、※部を直接カバーに押し付けスライドさせる使用法はカバーが押し下げられる可能性があるため不可。



電線推奨寸法



取付穴推奨基板寸法 (t=1.6)

(取付面)

PENDING APPROVAL

25.5	19.5	52004-1410	14
24	18	52004-1310	13
B	A	ENG NO	極数

THIS DRAWING CONTAINS INFORMATION THAT IS PROPRIETARY TO MOLEX ELECTRONIC TECHNOLOGIES, LLC AND SHOULD NOT BE USED WITHOUT WRITTEN PERMISSION		CURRENT REV DESC:		molex	
GENERAL TOLERANCES (UNLESS SPECIFIED)		EC NO: 628958			
10 UNDER ±0.2		DRWN: AKUMAR19		PRODUCT CUSTOMER DRAWING	
10 OVER 30 UNDER ±0.25		CHK'D:		DOCUMENT NUMBER	
30 OVER ±0.3		APPR:		SD-52004-XX10	
GENERAL TOLERANCES (UNLESS SPECIFIED)		INITIAL REVISION:		DOC TYPE DOC PART REVISION	
4 PLACES ±		DRWN: SKUNISHI		PSD 001 G	
3 PLACES ±		APPR: MFUKUSHIMA		MATERIAL NUMBER	
2 PLACES ±		1986/08/27		CUSTOMER	
1 PLACE ±		1993/01/18		GENERAL MARKET	
0 PLACES ±		DRAFT WHERE APPLICABLE MUST REMAIN WITHIN DIMENSIONS		SEE TABLE	
ANGULAR TOL ± 3.0°		THIRD ANGLE PROJECTION		SHEET NUMBER	
DRAFT WHERE APPLICABLE MUST REMAIN WITHIN DIMENSIONS		DRAWING		2 OF 2	
		A3-SIZE			
		SERIES			
		52004			

3極から12極の形状

13極から17極の形状
(カバーの形状のみ異なる)

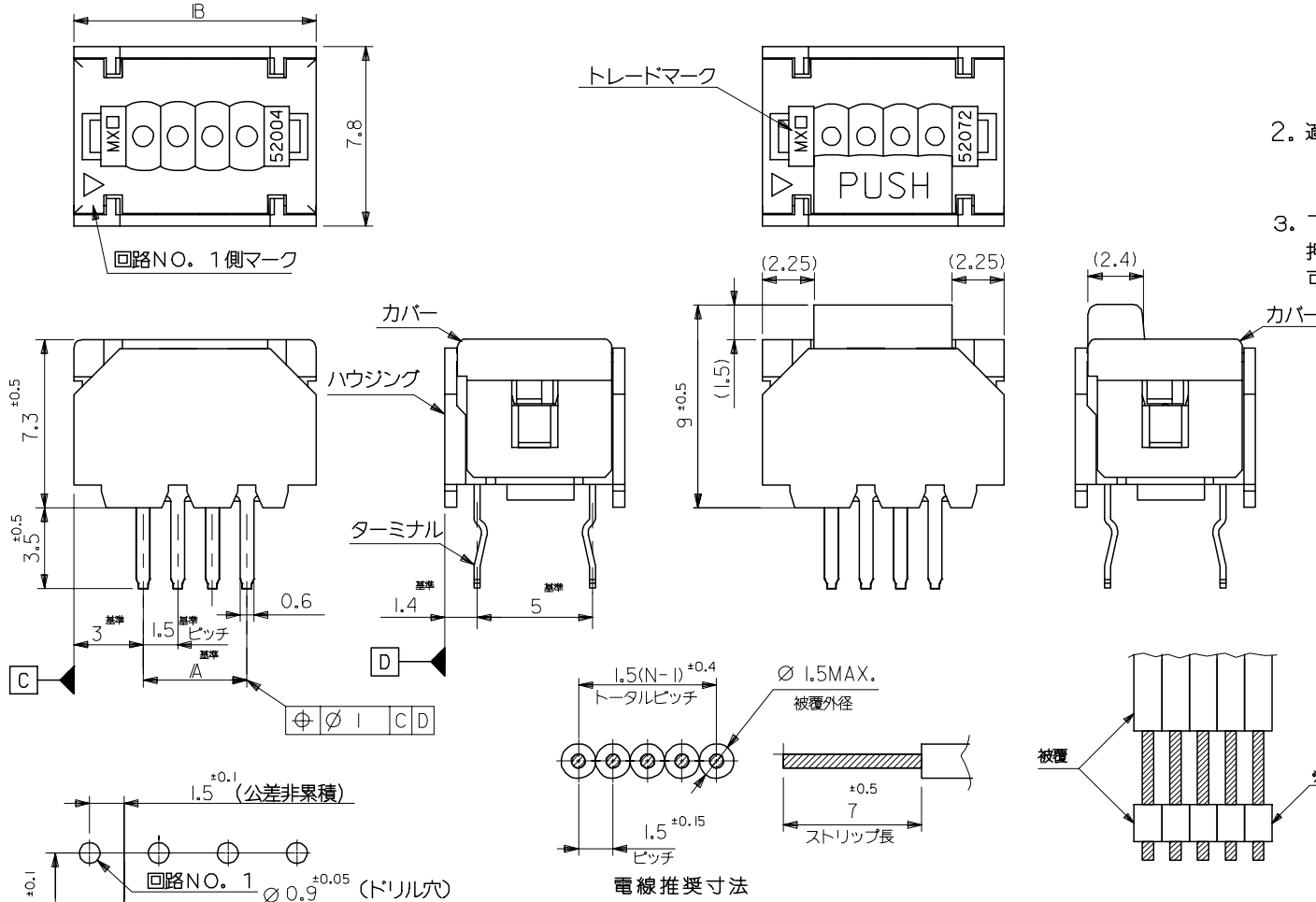
(注記) 1. 材質

ターミナル: 磷青銅材, 錫メッキ (t=0.254)
 ハウジング: PBT(15%G.F.),UL94V-0
 G.E. PLASTICS JAPAN LTD.
 VALOX DR-48 UL FILE NO. E45587
 カバー: PBT(30%G.F.),UL94V-0
 G.E. PLASTICS JAPAN LTD.
 VALOX 420-SEO UL FILE NO. E45587

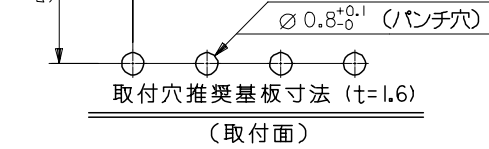
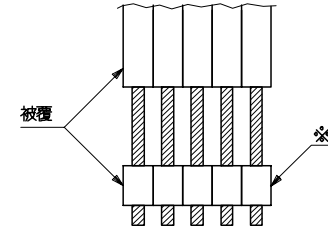
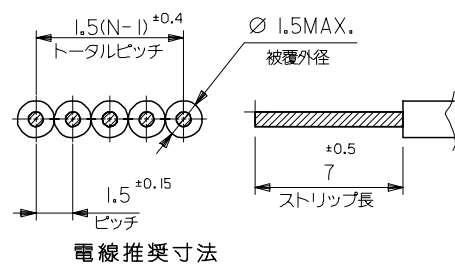
2. 適用電線

1. 5mmピッチリボンケーブル。
 (UL2468、AWG#24~#26錫コート線)

3. 下図の様な端末処理ケーブルにて、*部を直接カバーに押し付けスライドさせる使用法はカバーが押し下げられる可能性があるため不可。



30	24	52004-1710	17
28.5	22.5	-1610	16
27	21	-1510	15
25.5	19.5	-1410	14
24	18	-1310	13
22.5	16.5	-1210	12
21	15	-1110	11
19.5	13.5	-1010	10
18	12	-0910	9
16.5	10.5	-0810	8
15	9	-0710	7
13.5	7.5	-0610	6
10.5	4.5	-0410	4
9	3	-0410	3
IB	A	52004-0310	3
		ENG NO	極数



REVISED ECNO: J2004-4815 DRAWN: IDA 2004/08/05 CHK: KHTAKASE 2004/08/05 APPR: JMIYAZAWA 2004/08/17	GENERAL TOLERANCES (UNLESS SPECIFIED)		DIMENSION STYLE MM ONLY		SCALE 5:1	DESIGN UNITS METRIC	THIRD ANGLE PROJECTION
	10 UNDER	±0.2	DRAWN BY SKUNISHI	DATE 86/08/27	TITLE 1.5 WIRE TRAP CONN. (JAPAN)		
	10 OVER 30 UNDER	±0.25	CHECKED BY HII	DATE 93/01/18	MOLEX INCORPORATED		
	30 OVER	±0.3	APPROVED BY MFUKUSHIMA	DATE 93/01/18	DOCUMENT NO. SD-52004-**10	SHEET NO. 2 OF 2	
	ANGULAR	±3 °	MATERIAL NO.	SEE CHART			
DRAFT WHERE APPLICABLE MUST REMAIN WITHIN DIMENSIONS		SIZE A3		THIS DRAWING CONTAINS INFORMATION THAT IS PROPRIETARY TO MOLEX INCORPORATED AND SHOULD NOT BE USED WITHOUT WRITTEN PERMISSION			

ZF06100.0241452004.506:1