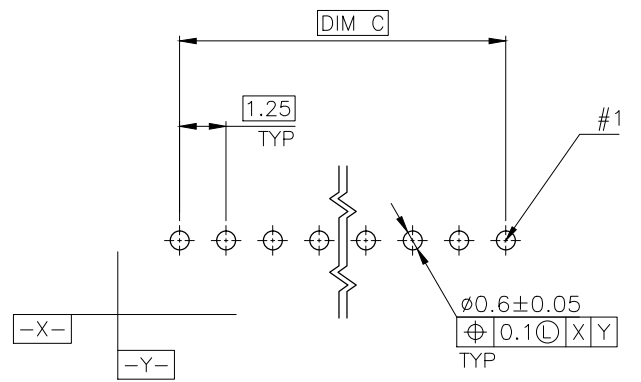
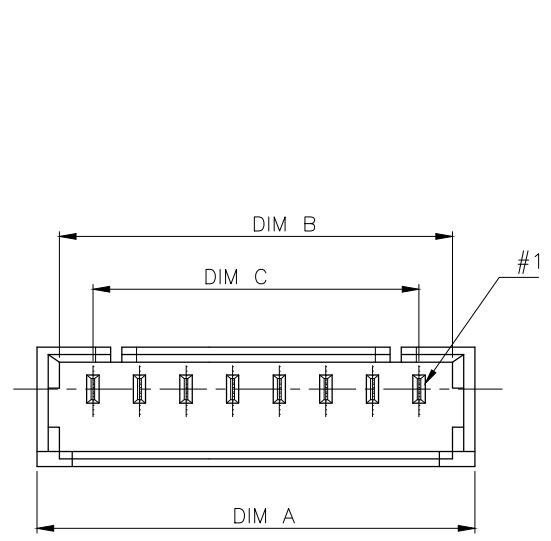
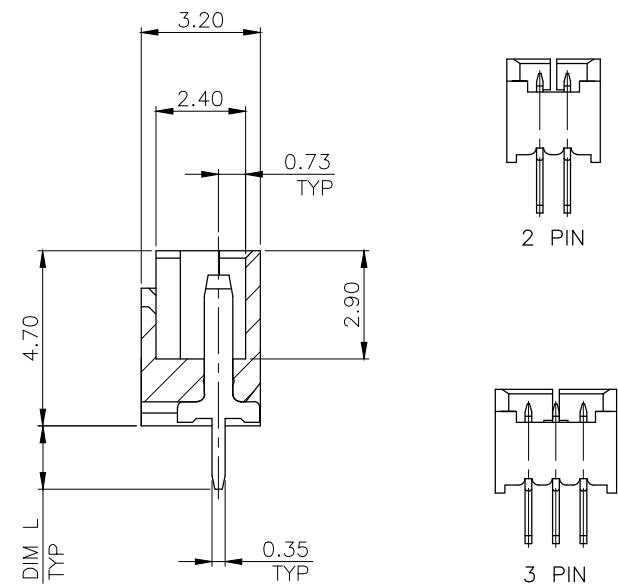
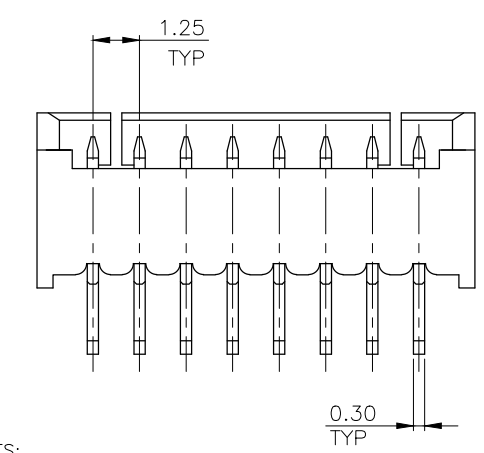


THIS DRAWING IS UNPUBLISHED. RELEASED FOR PUBLICATION
 © COPYRIGHT 2013 BY TE CONNECTIVITY. ALL RIGHTS RESERVED.

LOC	DIST	REVISIONS					
DW	-	P	LTR	DESCRIPTION	DATE	DWN	APVD
		R1		REVISED (ECR-15-008027), ADD NEW PN	27MAY15	S.C.	H.L.



RECOMMENDED PCB LAYOUT (TOP VIEW)
 TOLERANCE: ±0.05, THICKNESS: 1.2MM ~ 1.8MM



3.70	2.30	5.00	6.80	8.00	5	6-1734598-0
	17.50	19.30	20.50	15	5-1734598-5	
	16.25	18.05	19.25	14	5-1734598-4	
	15.00	16.80	18.00	13	5-1734598-3	
	13.75	15.55	16.75	12	5-1734598-2	
	12.50	14.30	15.50	11	5-1734598-1	
	11.25	13.05	14.25	10	5-1734598-0	
	10.00	11.80	13.00	9	4-1734598-9	
	8.75	10.55	11.75	8	4-1734598-8	
	7.50	9.30	10.50	7	4-1734598-7	
	6.25	8.05	9.25	6	4-1734598-6	
	5.00	6.80	8.00	5	4-1734598-5	
3.75	5.55	6.75	4	4-1734598-4		
2.50	4.30	5.50	3	4-1734598-3		
1.25	3.05	4.25	2	4-1734598-2		
2.30	17.50	19.30	20.50	15	3-1734598-5	
	16.25	18.05	19.25	14	3-1734598-4	
	15.00	16.80	18.00	13	3-1734598-3	
	13.75	15.55	16.75	12	3-1734598-2	
	12.50	14.30	15.50	11	3-1734598-1	
	11.25	13.05	14.25	10	3-1734598-0	
	10.00	11.80	13.00	9	2-1734598-9	
	8.75	10.55	11.75	8	2-1734598-8	
	7.50	9.30	10.50	7	2-1734598-7	
	6.25	8.05	9.25	6	2-1734598-6	
	5.00	6.80	8.00	5	2-1734598-5	
	3.75	5.55	6.75	4	2-1734598-4	
2.50	4.30	5.50	3	2-1734598-3		
1.25	3.05	4.25	2	2-1734598-2		
1.70	17.50	19.30	20.50	15	1-1734598-5	
	16.25	18.05	19.25	14	1-1734598-4	
	15.00	16.80	18.00	13	1-1734598-3	
	13.75	15.55	16.75	12	1-1734598-2	
	12.50	14.30	15.50	11	1-1734598-1	
	11.25	13.05	14.25	10	1-1734598-0	
	10.00	11.80	13.00	9	1734598-9	
	8.75	10.55	11.75	8	1734598-8	
	7.50	9.30	10.50	7	1734598-7	
	6.25	8.05	9.25	6	1734598-6	
	5.00	6.80	8.00	5	1734598-5	
	3.75	5.55	6.75	4	1734598-4	
2.50	4.30	5.50	3	1734598-3		
1.25	3.05	4.25	2	1734598-2		
DIM. L	DIM. C	DIM. B	DIM. A	NO. OF CONTACTS	PART NUMBER	

- NOTES:
- MATERIAL:
HOUSING: PA9T W/ 30% GF, UL94 V-0, NATURAL COLOR.
CONTACTS: PHOSPHOR BRONZE.
 - FINISH:
CONTACTS: 120µ" MIN. MATTE-TIN OVER 50µ" MIN. NICKEL PLATED.
 - NO TE LOGO AND DATE CODE ON THE PRODUCT.
- △ 0.762µm [30µ"] MIN. GOLD PLATED ON CONTACT AREA, GOLD FLASH ON SOLDER TAILS, 1.27µm [50µ"] MIN. NICKEL ON ENTIRE CONTACT.

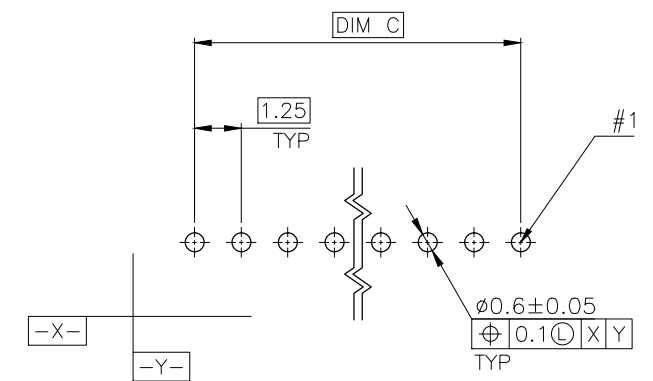
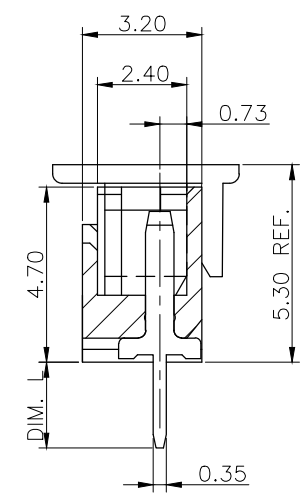
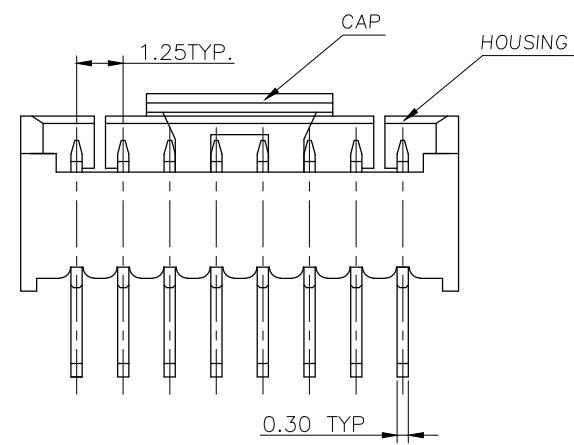
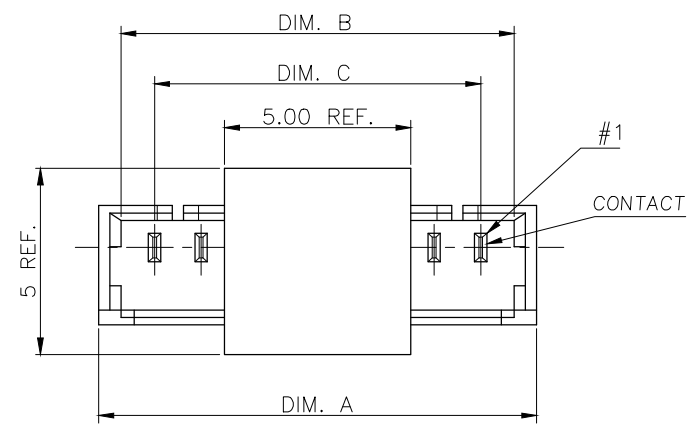
THIS DRAWING IS A CONTROLLED DOCUMENT.		DWN A. WU 30DEC2005			
DIMENSIONS: MM		CHK S. HOU 30DEC2005			
TOLERANCES UNLESS OTHERWISE SPECIFIED:		APVD W.J. KE 30DEC2005	NAME		
0 PLC ± 1 PLC ±0.3 2 PLC ±0.2 3 PLC ± 4 PLC ± ANGLES ±5°		PRODUCT SPEC 108-57273	1.25 MM PITCH WIRE-TO-BOARD CONNECTOR, HEADER, DIP, VERTICAL		
MATERIAL SEE NOTE		APPLICATION SPEC -	SIZE A3	CAGE CODE 00779	DRAWING NO C=1734598
FINISH SEE NOTE		WEIGHT -	RESTRICTED TO -	SCALE -	
CUSTOMER DRAWING			SHEET 1 of 4	REV R1	

THIS DRAWING IS UNPUBLISHED. RELEASED FOR PUBLICATION
 © COPYRIGHT 2013 BY TE CONNECTIVITY. ALL RIGHTS RESERVED.

LOC	DIST	REVISIONS					
DW	-	P	LTR	DESCRIPTION	DATE	DWN	APVD
		SEE SHEET 1					

NOTE:

- MATERIAL:
 HOUSING: THERMOPLASTIC (LCP) WITH 30% GF, UL 94V-0, NATURE COLOR.
 CAP: THERMOPLASTIC (LCP) WITH 30% GF, UL 94V-0, COLOR BLACK
 CONTACTS: PHOSPHOR BRONZE.
- FINISH:
 CONTACTS: 3.048μm[120μ"] MIN. MATTE-TIN OVER
 1.27μm[50μ"]MIN. NICKEL ON ENTIRE CONTACT.
- REFLOW SOLDER CAPABLE TO 260°C PER TE SPEC. TEC-109-201, CONDITION B.
- LOW HALOGEN SPECIFICATION:
 CHLORINE(Cl): 900ppm MAX.
 BROMINE(Br): 900ppm MAX.
- NO TE LOGO AND DATE CODE ON THE PRODUCT.
- PACKAGE : TAPE AND REEL TYPE (SEE PAGE 4)



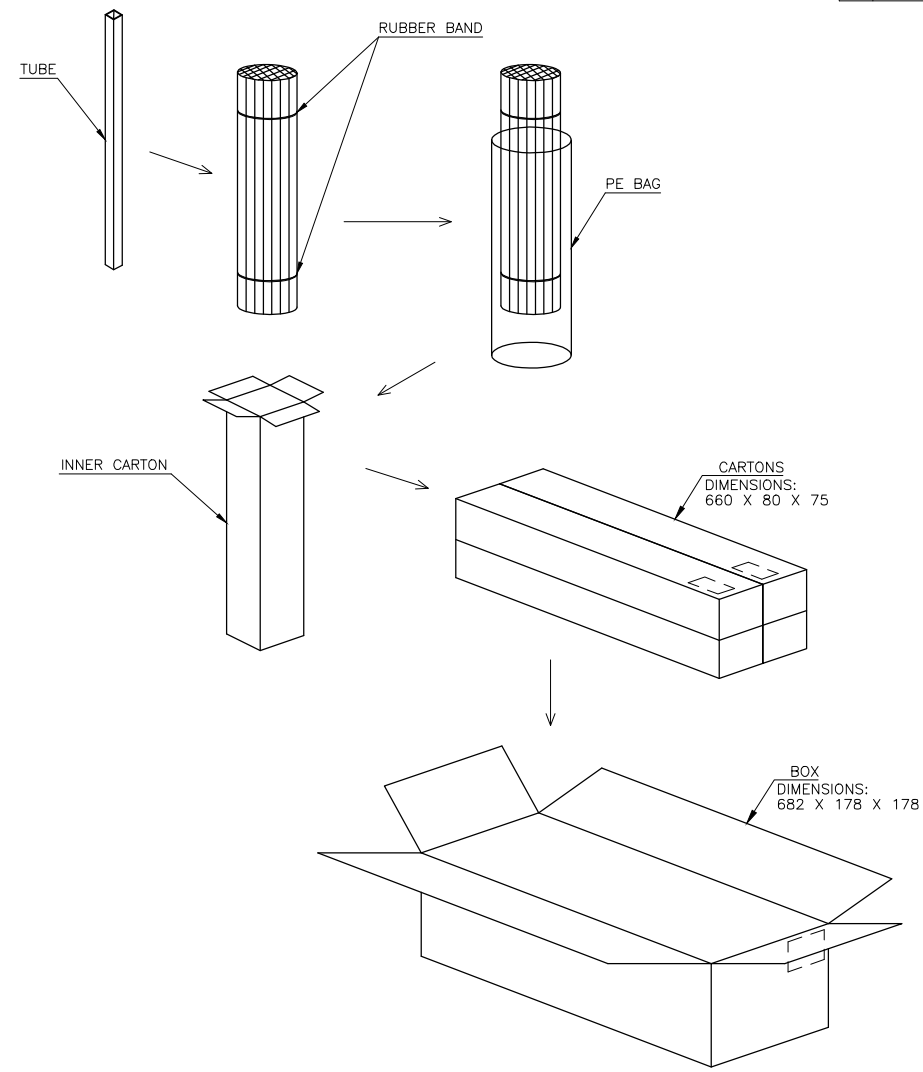
RECOMMENDED PCB LAYOUT (TOP VIEW)
 TOLERANCE: ±0.05, THICKNESS: 1.6MM

2.30	8.75	10.55	11.75	8	6-1734598-1
DIM. L	DIM. C	DIM. B	DIM. A	NO. OF CONTACTS	PART NUMBER

THIS DRAWING IS A CONTROLLED DOCUMENT.		DWN	-	TE Connectivity 1.25 MM PITCH WIRE-TO-BOARD CONNECTOR, HEADER, DIP, VERTICAL		
DIMENSIONS: MM		CHK	-			NAME
TOLERANCES UNLESS OTHERWISE SPECIFIED:		APVD	-			PRODUCT SPEC
0 PLC ± - 1 PLC ± - 2 PLC ± - 3 PLC ± - 4 PLC ± - ANGLES ± - MATERIAL FINISH		APPLICATION SPEC	-			WEIGHT
		WEIGHT	-	SIZE	A3	
		CUSTOMER DRAWING	-	CAGE CODE	00779	
				DRAWING NO	C=1734598	
				RESTRICTED TO	-	
				SCALE	-	
				SHEET	2 of 4	
				REV	R1	

THIS DRAWING IS UNPUBLISHED. RELEASED FOR PUBLICATION
 © COPYRIGHT 2013 BY TE CONNECTIVITY. ALL RIGHTS RESERVED.

LOC	DIST	REVISIONS					
DW	-	P	LTR	DESCRIPTION	DATE	DWN	APVD
		SEE SHEET 1					



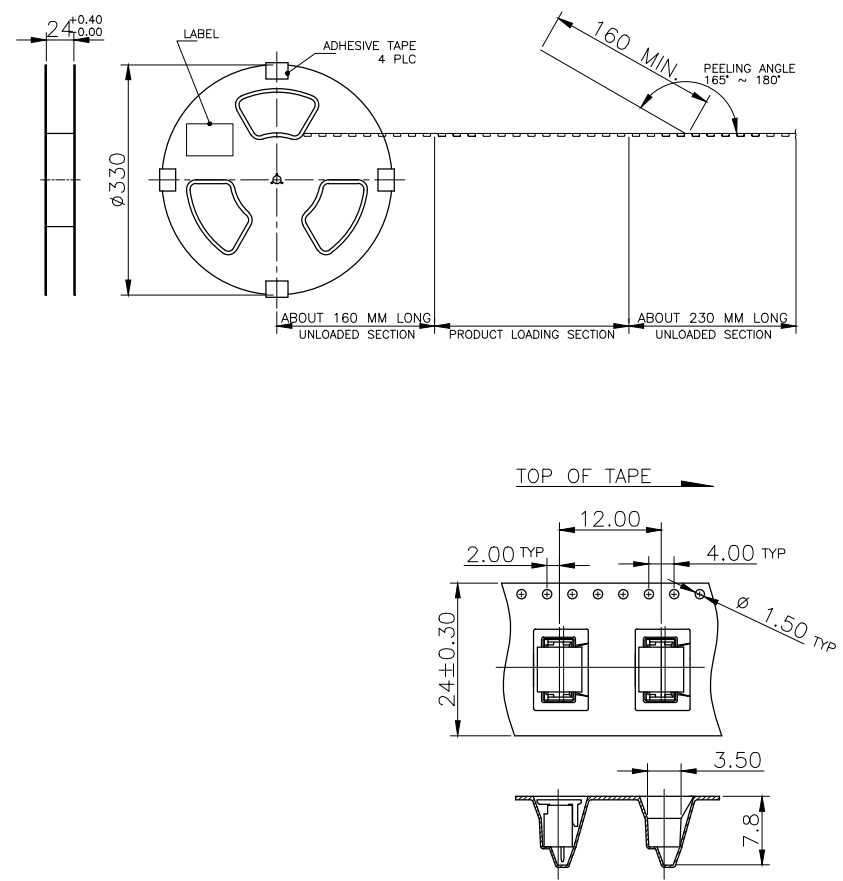
NOTE:
 1. PN 6-1734598-1 SEE NEXT PAGE

200	6000	30	5.948	2.178	15
	6400	32	5.920	2.150	14
	6800	34	5.919	2.148	13
	7200	36	5.959	2.188	12
	7800	39	5.868	2.098	11
	8600	43	5.972	2.201	10
	9400	47	5.970	2.199	9
	10400	52	5.954	2.184	8
	11600	58	5.974	2.204	7
	13200	66	5.850	2.112	6
	15200	76	5.929	2.158	5
	18000	90	5.930	2.160	4
22000	110	5.950	2.178	3	
28200	141	5.915	2.143	2	
TUBES/BOX	QUANTITY	PCS/TUBE	G/W (KG)	N/W (KG)	NO. OF CONTACTS

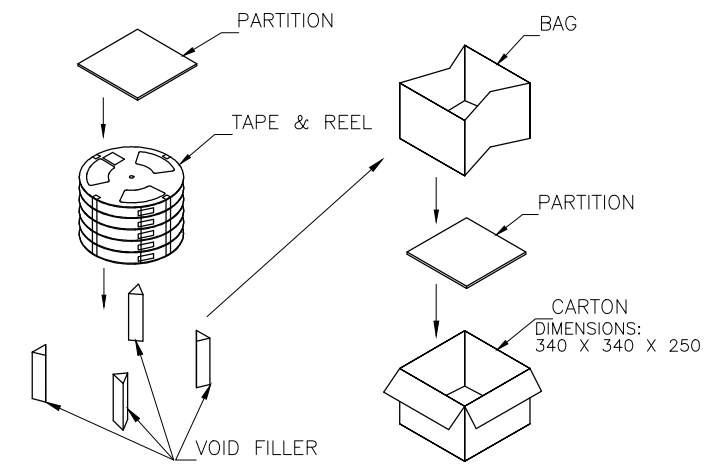
THIS DRAWING IS A CONTROLLED DOCUMENT.		DWN	-	STE TE Connectivity	
DIMENSIONS: MM		CHK	-		
TOLERANCES UNLESS OTHERWISE SPECIFIED:		APVD	-	NAME	
0 PLC ± -		PRODUCT SPEC		1.25 MM PITCH WIRE-TO-BOARD CONNECTOR, HEADER, DIP, VERTICAL	
1 PLC ± -		APPLICATION SPEC		SIZE CAGE CODE DRAWING NO RESTRICTED TO	
2 PLC ± -		WEIGHT		A3 00779 C=1734598	
3 PLC ± -		CUSTOMER DRAWING		SCALE SHEET 3 of 4 REV R1	
4 PLC ± -					
ANGLES ± -					
FINISH					
MATERIAL					

THIS DRAWING IS UNPUBLISHED. RELEASED FOR PUBLICATION
 © COPYRIGHT 2013 BY TE CONNECTIVITY. ALL RIGHTS RESERVED.

LOC	DIST	REVISIONS					
DW	-	P	LTR	DESCRIPTION	DATE	DWN	APVD
				SEE SHEET 1			



- NOTE:
1. PEELING FORCE: 10g ~ 130g.
 2. PEELING SPEED: 300mm/min.(REFERENCE)



5.7	0.87	700	7	4900	6-1734598-1
G/W (Kg)	N/W (Kg)	PCS/TAPE	REELS/BOX	NO. OF CONTACTS	PART NUMBER

THIS DRAWING IS A CONTROLLED DOCUMENT.		DWN	-	TE Connectivity 1.25 MM PITCH WIRE-TO-BOARD CONNECTOR, HEADER, DIP, VERTICAL							
DIMENSIONS: MM		CHK	-			NAME					
		APVD	-			PRODUCT SPEC					
TOLERANCES UNLESS OTHERWISE SPECIFIED:		-				APPLICATION SPEC					
MATERIAL		WEIGHT	-	SIZE	CAGE CODE	DRAWING NO	RESTRICTED TO				
FINISH		-		A3	00779	C=1734598	-				
CUSTOMER DRAWING						SCALE	-	SHEET	4 of 4	REV	R1

Mouser Electronics

Authorized Distributor

Click to View Pricing, Inventory, Delivery & Lifecycle Information:

[TE Connectivity:](#)

[1734598-5](#)