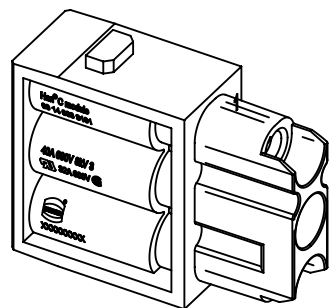
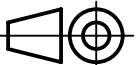



Wire diameter over insulation > 4.5 +0.3 mm: stripping length 12 mm
 Wire diameter over insulation ≥ 4.8 mm: stripping length 12 mm required
 For wires with maximum wire diameter over insulation up to 7.8 mm



 All Dimensions in mm Original Size DIN A4	Scale	Free size tol.			Ref.
	1:1				Sub.
 All rights reserved Department EL PD - DE	Created by	Inspected by	Standardisation	Date	State
	FINKEV	BERGHORN	TIEMANNA	2015-03-23	Final Release
HARTING Electric GmbH & Co. KG D-32339 Espelkamp	Title				Doc-Key / ECM-Nr.
	Han C module, crimp female				100086335/UGD/019/E 500000086634
Type		Number		Rev.	Page
TB		09 14 003 3101		E	1/1