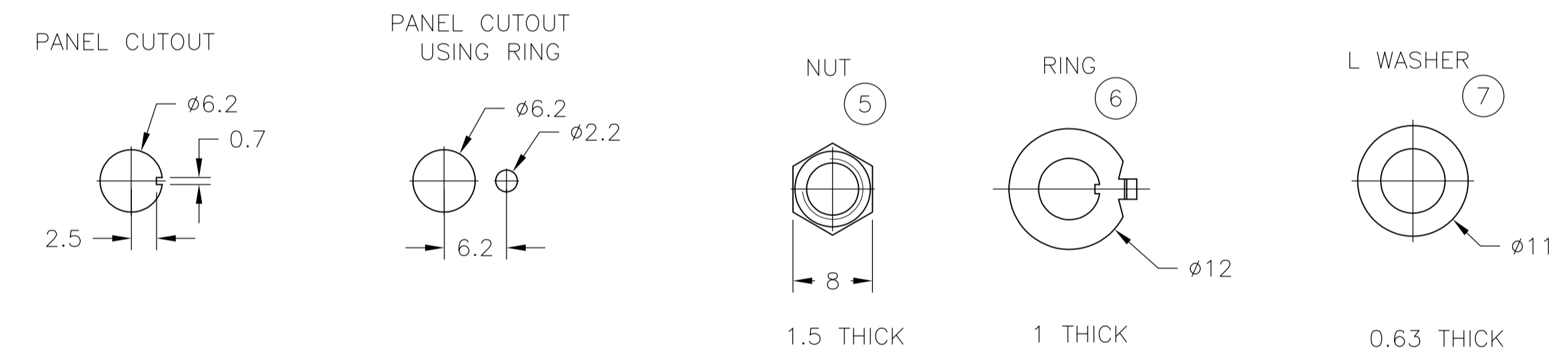
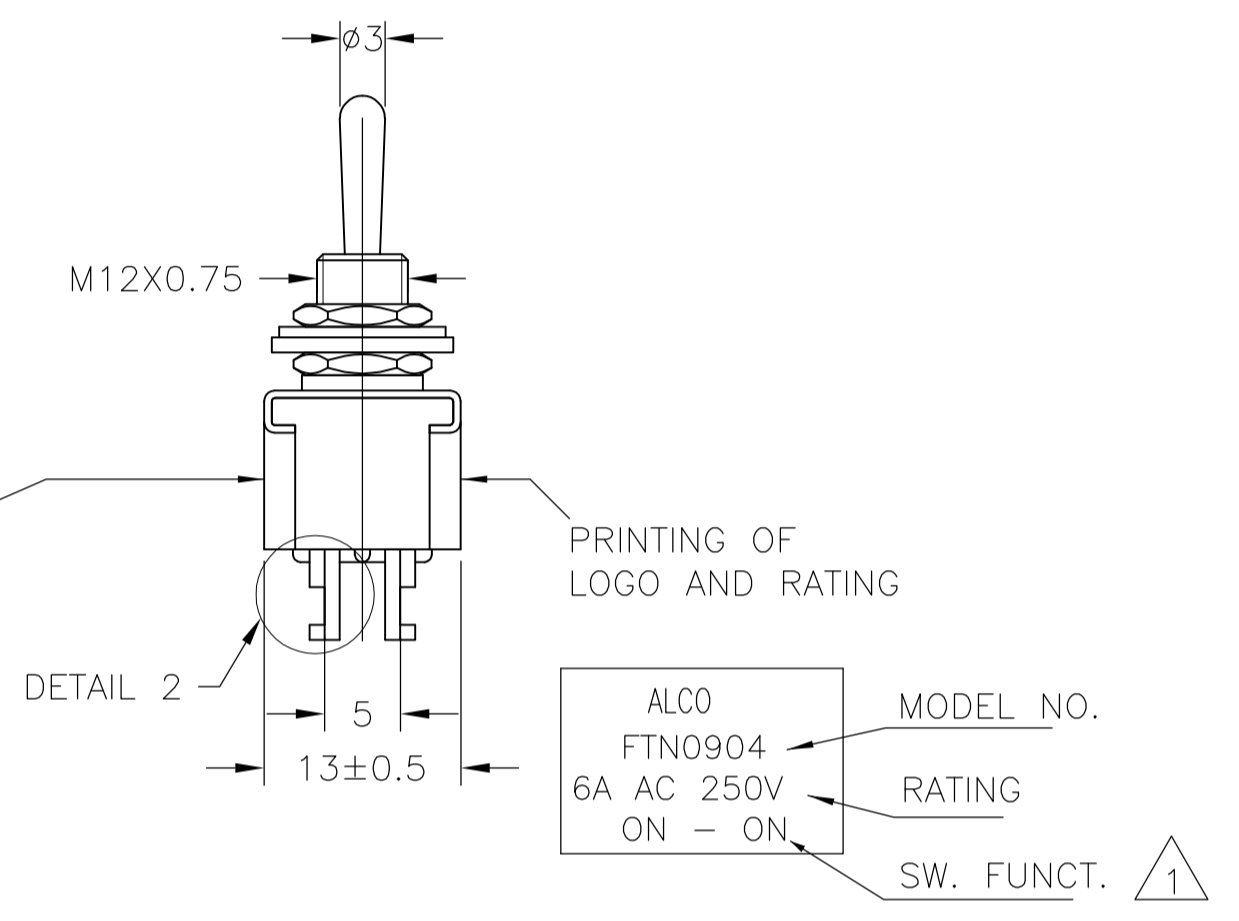


FUNCTION CHART					
TE PN	PART	TERMINALS 1 AND 2 4 AND 5	TERMINALS 1 AND 2 5 AND 6	TERMINALS 2 AND 3 4 AND 5	TERMINALS 2 AND 3 5 AND 6
4-6437630-5	FTP0904	ON	OFF	ON	ON
4-6437630-2	FTN0904	ON	NONE		ON
4-6437630-4	FTR0904	ON	NONE		(ON)
4-6437630-6	FTP0904	ON	OFF		ON
4-6437630-1	FTT0904	ON	OFF		(ON)
4-6437630-3	FTS0904	(ON)	OFF		(ON)
6-6437630-8	FTN09G04	ON	NONE		ON

(ON): MOMENTARY ACTION
OFF: MECHANICAL POSITION WITHOUT ELECTRICAL CONNECTION
NONE: NO MECHANICAL POSITION

DATE CODE PRINTING LAST DIGIT OF YEAR
A-L = JANUARY TO DECEMBER DAY



- 1 0.5VA NO SWITCH FUNCTION WILL BE MARKED BUT WILL BE MARKED GOLD CON
- 2 OPERATING TEMPERATURE -20°C TO +70°C
- 3 ALL MATERIALS AND FINISHES COMPLY WITH RoHS DIRECTIVE

CONTACT MATERIAL	COMMON	TE PN	PART	RATING	INITIAL CONTACT RESISTANCE	INSULATION RESISTANCE	DIELECTRIC STRENGTH	ENDURANCE
C3602BD Ep-Cu/Ni3,Au1b	C3602BD Ep-Cu/Ni3,Au1b	6-6437630-8	FTN09G04	20V AC/DC 0.4 VA MAX	MAX 10 MILLIOHMS AT DC 2~4V 0.1A	MIN 1000 M Ohms AT DC 500V	AC 1KV/1 Min (AC 1.2KV/1 SEC)	ELECTRICALLY 50,000 CYCLES AT 20 CYCLES/MIN (RATED LOAD RESISTIVE) MECHANICALLY 100,000 CYCLES AT 20 CYCLES/MIN
99.8% Silver + C3602BD Ep-Cu/Ni3,AuFb	C3602BD Ep-Cu/Ni3,AuFb	4-6437630-5 4-6437630-2 4-6437630-6 4-6437630-3	FTP0904 FTN0904 FTR0904 FTS0904	AC 125V 6A AC 250V 6A	MAX 10 MILLIOHMS AT DC 2~4V 1A	MIN 1000 M Ohms AT DC 500V	AC 1KV/1 Min (AC 1.2KV/1 SEC)	ELECTRICALLY 30,000 CYCLES AT 20 CYCLES/MIN (RATED LOAD RESISTIVE) MECHANICALLY 50,000 CYCLES AT 20 CYCLES/MIN
		4-6437630-4 4-6437630-1	FTR0904 FTT0904	AC 125V 6A AC 250V 6A	MAX 10 MILLIOHMS AT DC 2~4V 1A	MIN 1000 M Ohms AT DC 500V	AC 1KV/1 Min (AC 1.2KV/1 SEC)	ELECTRICALLY 30,000 CYCLES AT 20 CYCLES/MIN (RATED LOAD RESISTIVE) MECHANICALLY 50,000 CYCLES AT 20 CYCLES/MIN

MATERIALS CHART			
Ep-Fe/Cu2,Ni4b	SK-5	L WASHER	7
Ep-Fe/Cu2,Ni3b	SPCC	RING	6
Ep-Cu/Ni3b	C3602BD	NUT	5
Ep-Cu/Ni3,Cr1b	C3602BD	ACTUATOR	4
Ep-Cu/Ni3b	C3602BD	BUSHING	3
	SUS	FRAME	2
	POLYESTER RESIN	CASE	1
OPTIONAL DESCRIPTION	MATERIAL/SURFACE	PART NAME	PART NO

THIS DRAWING IS A CONTROLLED DOCUMENT.		DIN RAGHAVENDRA 02AUG10	Tyco Electronics Corporation Harrisburg, PA 17105-3608	
DIMENSIONS: mm		CHK MICHAEL WILBOURN 02AUG10	NAME MICHAEL WILBOURN	
TOLERANCES UNLESS OTHERWISE SPECIFIED:		APVD MICHAEL WILBOURN 02AUG10	PRODUCT SPEC	
0 PLC	± -	APPLICATION SPEC		
1 PLC	± -	SIZE CASE CODE DRAWING NO		
2 PLC	± -	WEIGHT		
3 PLC	± -	A1 00779 1968511		
4 PLC	± -	CUSTOMER DRAWING		
ANGLES	± -	SCALE 1:1 SHEET 1 OF 1 REV A1		

Mouser Electronics

Authorized Distributor

Click to View Pricing, Inventory, Delivery & Lifecycle Information:

[TE Connectivity:](#)

[FTN09G04](#)