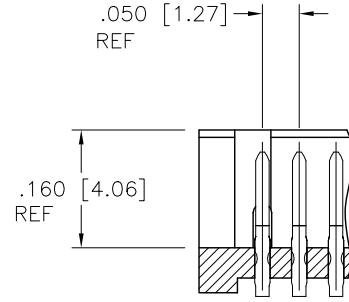
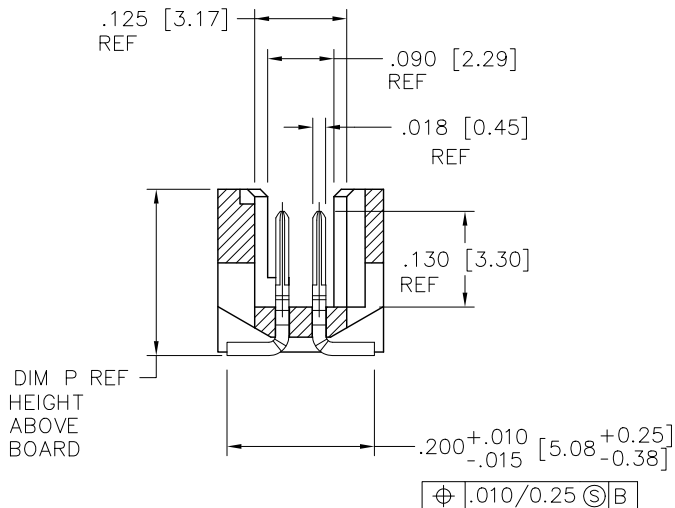


mat'l. code				surface		tolerance		projection		product family	
-				ISO 1302 ✓		ISO 406 ISO 1101				RIBCAGE	
ltr	ecn no	dr	date	tolerances unless otherwise specified		angles		linear		title	
AA	M08-0245	MHT	8/27/08	.XX±.01/0.3		linear		.xxx±.005/0.13		RIBCAGE III SMT	
AB	M09-0058	MHT	4/04/09	±2'		linear		.xxx±.0020/0.05		VERT. HEADER ASS'Y	
AC	M09-0087	MHT	06/10/09	dr		M. CORNMAN		6/07/95		dwg no	
AD	N10-0174	YO	6/17/10	engr		D. WHITING		6/07/95		sheet 1 of 8 size	
AE	ELX-N-004143	YO	06/20/11	chr		D. WHITING		6/07/95		95781	
AF	ELX-N-004665	YO	07/27/11	appd		D. WHITING		6/07/95		A3	
AG	ELX-N-009746	YO	1/20/12	sheet		AG AG AG AG AG AG AG AG				type Product Customer Drawing	
sheet	revision	AG	AG	AG	AG	AG	AG	AG	AG		
index	sheet	1	2	3	4	5	6	7	8		



SIZE	DIM H	DIM J	DIM K	DIM L
2X5	.275/6.99	.200/5.08	.372/9.45	.320/8.13
2X10	.525/13.34	.450/11.43	.622/15.80	.570/14.48
2X15	.775/19.68	.700/17.78	.872/22.15	.820/20.83
2X20	1.025/26.03	.950/24.13	1.122/28.50	1.070/27.18
2X25	1.275/32.38	1.200/30.48	1.372/34.85	1.320/33.53
2X30	1.525/38.74	1.450/36.83	1.622/41.20	1.570/39.88
2X35	1.775/45.08	1.700/43.18	1.872/47.55	1.820/46.23
2X40	2.025/51.43	1.950/49.53	2.122/53.90	2.070/52.58
2X45	2.275/57.78	2.200/55.88	2.372/60.25	2.320/58.93
2X50	2.525/64.14	2.450/62.23	2.622/66.60	2.570/65.28

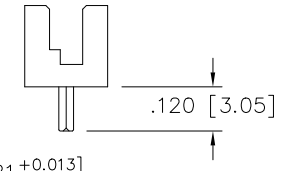
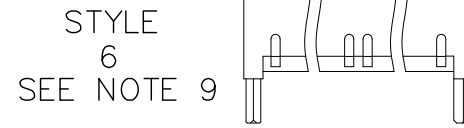
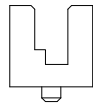
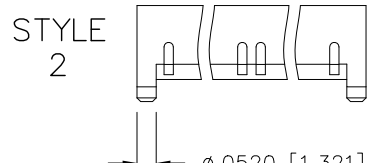
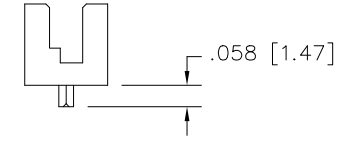
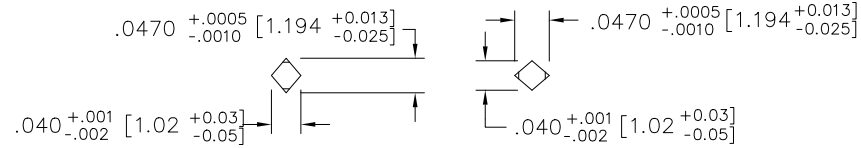
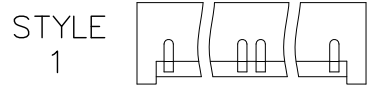


SECTION Y-Y

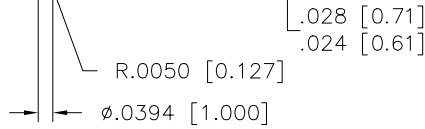
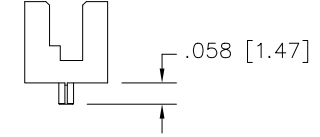
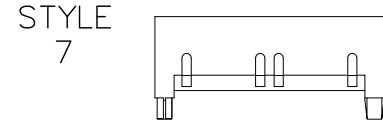
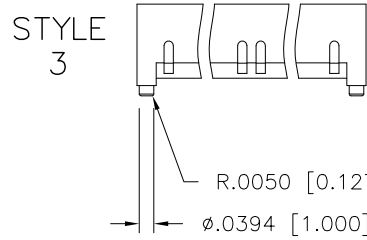
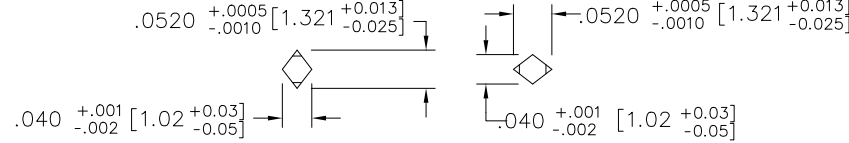
mat'l. code		surface		tolerance		projection		product family	
-		ISO 1302 ✓		ISO 406 ISO 1101				RIBCAGE	
ltr	ecn	no	dr	date		tolerances unless otherwise specified		title	
AG						angles linear .XX±.01/0.3 .XXX±.005/0.13 ±2' .XXXX±.0020/0.05		INCH/MM scale 3:1	
		dr		M. CORNMAN		6/07/95		RIBCAGE III SMT VERT. HEADER ASS'Y	
		engr		D. WHITING		6/07/95		dwg no sheet 2 of 8 size 95781 A3	
		chr		D. WHITING		6/07/95		type Product Customer Drawing	
		appd		D. WHITING		6/07/95			
sheet index	revision sheet								



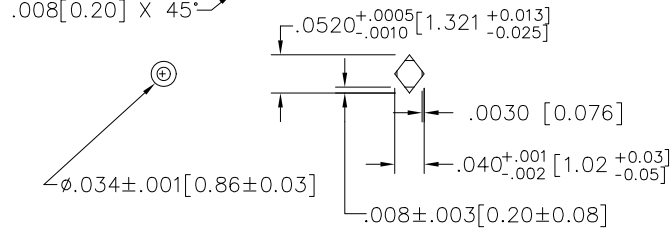
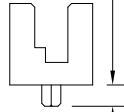
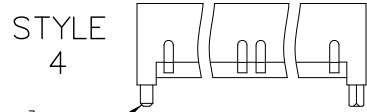
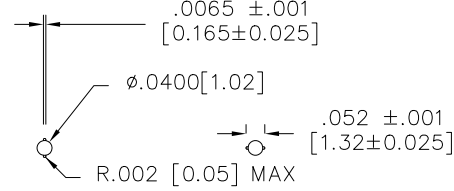
LOCATOR/HOLDDOWN VARIATIONS



$\oplus \varnothing .004/0.10$ (M) A (S) B (S) (ALL PEG CONFIGURATIONS)



$.058 \pm .003$ [1.47 ± 0.08]

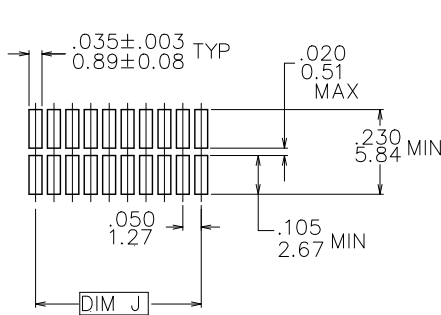


mat'l. code		surface		tolerance		projection		product family	
-		ISO 1302 ✓		ISO 406 ISO 1101				RIBCAGE	
ltr		ecn		no		dr		date	
AG									
				tolerances unless otherwise specified				title	
				angles		$.XX \pm .01/0.3$ $.XXX \pm .005/0.13$ $.XXXX \pm .0020/0.05$		RIBCAGE III SMT VERT. HEADER ASS'Y	
				linear		INCH/MM		dwg no	
				±2'		scale 3:1		sheet 3 of 8	
				dr		M. CORNMAN		6/07/95	
				engr		D. WHITING		6/07/95	
				chr		D. WHITING		6/07/95	
				appd		D. WHITING		6/07/95	
sheet		revision							
index		sheet							

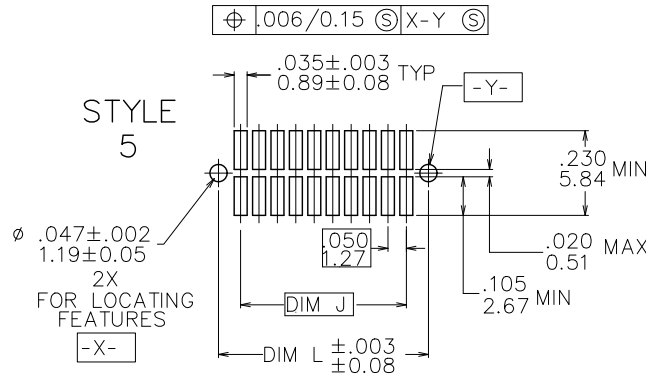


RECOMMENDED PCB MOUNTING PAD PATTERN

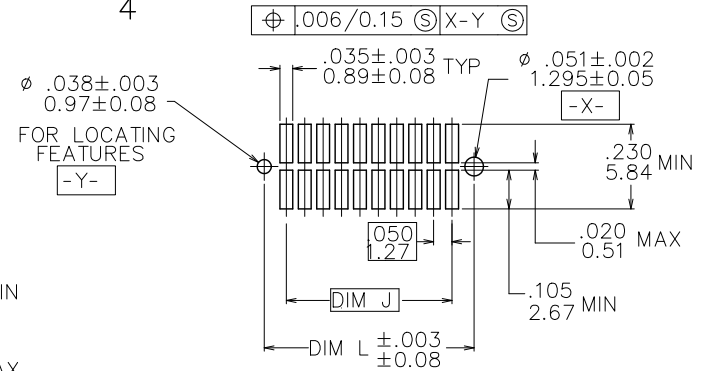
STYLE 1



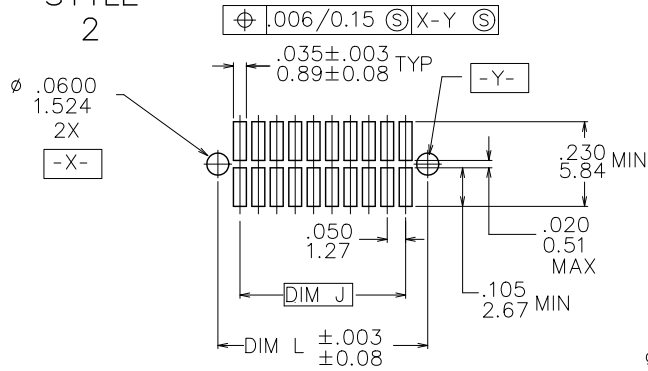
STYLE 5



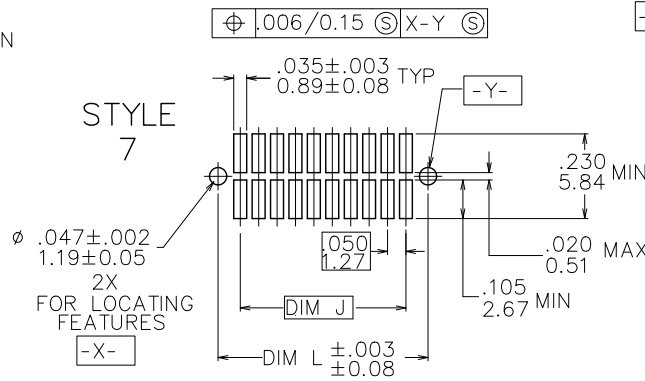
STYLE 4



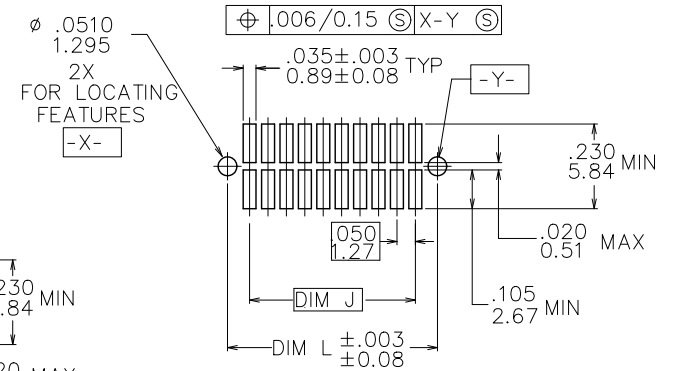
STYLE 2



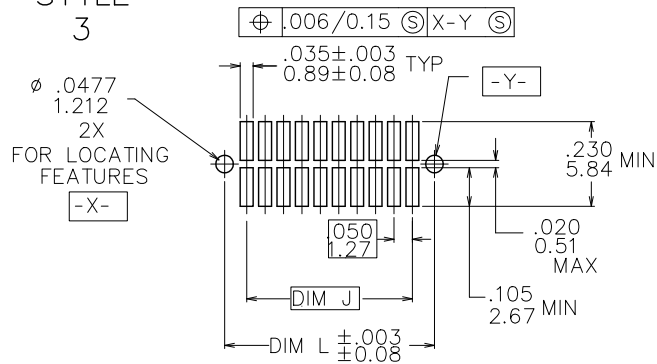
STYLE 7



STYLE 6



STYLE 3



mat'l. code		surface		tolerance		projection		product family	
-		ISO 1302 ✓		ISO 406 ISO 1101				RIBCAGE	
ltr	ecn	no	dr	date		tolerances unless otherwise specified		title	
AG						angles linear .XX±.01/0.3 .XXX±.005/0.13 ±2' .XXXX±.0020/0.051		RIBCAGE III SMT VERT. HEADER ASS'Y	
						scale 3:1		dwg no	
								sheet 4 of 8 size	
								95781 A3	
								type Product Customer Drawing	
sheet index		revision sheet							

PRODUCT NUMBER NOTE 1,4A & 4B	DIM P HEIGHT ABOVE BOARD (REF.)	HOLDDOWN STYLE
72428-1XX	.244/6.20	1
73546-1XX	.364/9.25	1
73547-1XX	.364/9.25	2
73548-1XX	.364/9.25	4
84700-1XX	.226/5.74	7
84701-1XX	.298/7.57	7
84734-1XX	.364/9.25	7
87401-1XX	.226/5.74	6
87409-1XX	.226/5.74	2
87849-1XX	.226/5.74	1
88566-1XX	.260/6.60	2
90098-1XX	.298/7.57	2
90863-1XX	.226/5.74	1
91036-1XX	.364/9.25	5
91423-1XX	.226/5.74	2
91855-1XX	.226/5.74	5
92099-1XX	.226/5.74	4
92412-1XX	.298/7.57	4
93206-1XX	.226/5.74	3
93221-1XX	.298/7.57	1
93289-1XX	.298/7.57	5

OBSOLETE

OBSOLETE

OBSOLETE

OBSOLETE

SEE NOTE 10

~~*~~ OBSOLETE

OBSOLETE

OBSOLETE

OBSOLETE

TABLE A

CUSTOMER SPECIAL

mat'l. code -		surface ISO 1302 ✓		tolerance ISO 406 ISO 1101		projection 		product family RIBCAGE	
ltr	ecn	no	dr	date		tolerances unless otherwise specified		title	
AG						angles	linear	INCH/MM	
								scale 3:1	
						dr	M. CORNMAN	6/07/95	
						enrg	D. WHITING	6/07/95	
						chr	D. WHITING	6/07/95	
						appd	D. WHITING	6/07/95	
sheet	revision								
index	sheet								



dwg no 95781 sheet 5 of 8 size A3
type Product Customer Drawing

PRODUCT NUMBER NOTE 11,4C	QTY. REEL	TAPE WIDTH PITCH MM	CONNECTOR ORIENTATION IN TAPE POCKET
72428-120TR	500	44/12	VIEW 1
73546-105TR		24/12	
73546-110TR		32/12	
73546-115TR		44/12	
73546-120TR		44/12	
73546-125TR		56/12	
73546-130TR		56/12	
73546-135TR		72/12	
73546-140TR		72/12	
73546-145TR		72/12	
73546-150TR		88/12	
73547-105TR		24/12	
73547-110TR		32/12	
73547-115TR		44/12	
73547-120TR		44/12	
73547-125TR		56/12	
73547-130TR		56/12	
73547-135TR		72/12	
73547-140TR		72/12	
73547-145TR		72/12	
73547-150TR	500	88/12	
84700-105TR	400	24/12	
84700-135TR	500	72/12	
87409-105TR		24/12	
87409-110TR		24/12	
87409-115TR		44/12	
87409-120TR		44/12	
87409-125TR		56/12	
87409-130TR	500	56/12	VIEW 1

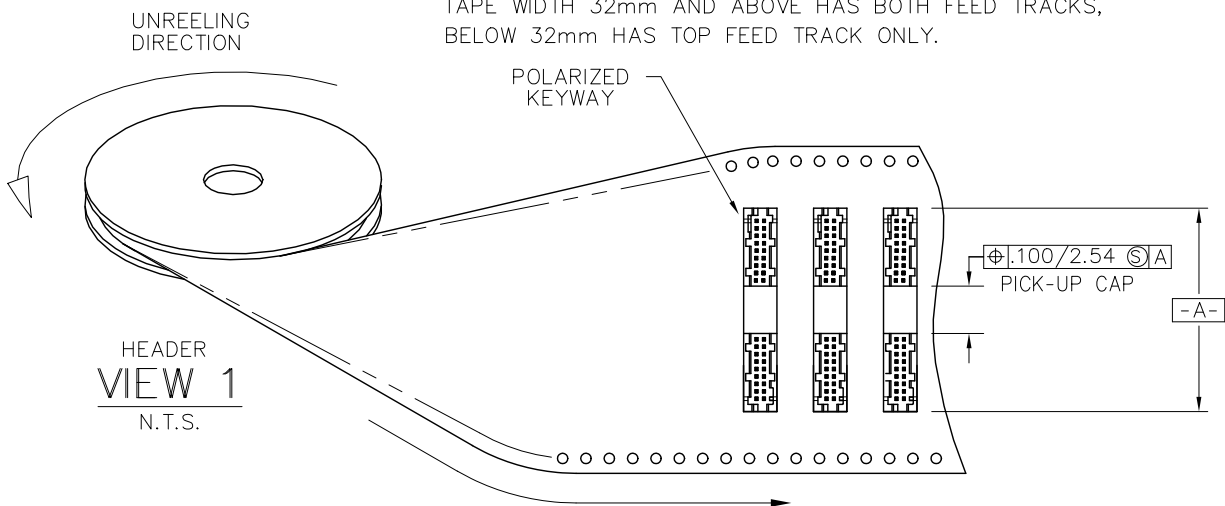
TABLE C

OBSOLETE

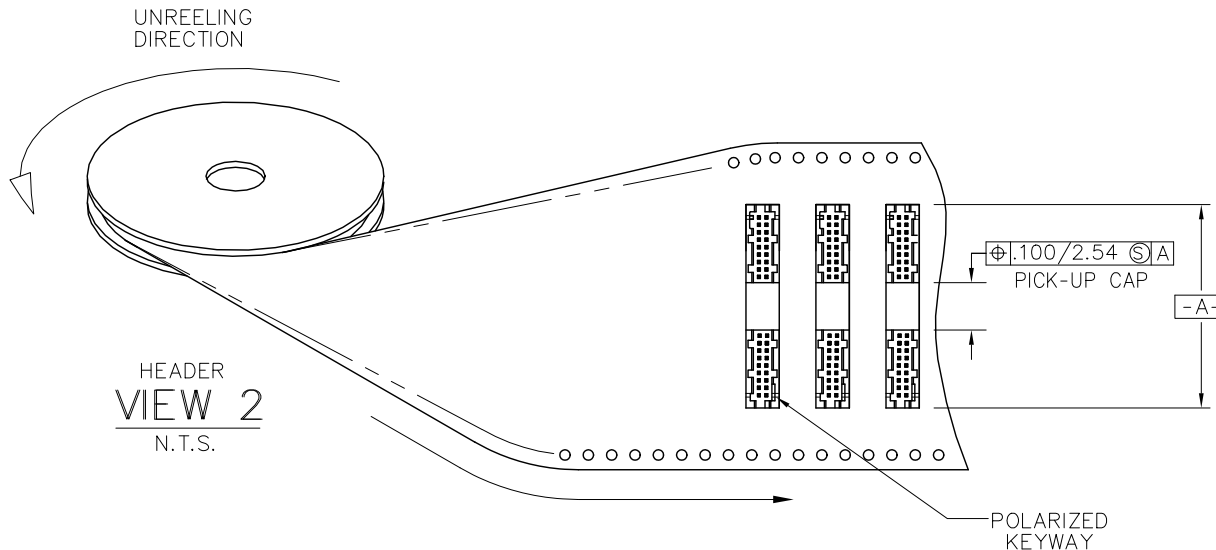
OBSOLETE
OBSOLETE

REFERENCE ONLY :

TAPE WIDTH 32mm AND ABOVE HAS BOTH FEED TRACKS,
BELOW 32mm HAS TOP FEED TRACK ONLY.



HEADER
VIEW 1
N.T.S.



HEADER
VIEW 2
N.T.S.

mat'l. code		surface		tolerance		projection		product family	
-		ISO 1302 ✓		ISO 406 ISO 1101				RIBCAGE	
ltr		ecn no dr date		tolerances unless otherwise specified		INCH/MM		title	
AG				.XX±.01/0.3				RIBCAGE III SMT	
				.XXX±.005/0.13				VERT. HEADER ASS'Y	
				±2'		.XXX±.0020/0.05		scale 3:1	
		dr M. CORNMAN 6/07/95						dwg no sheet 6 of 8 size	
		engr D. WHITING 6/07/95						95781 A3	
		chr D. WHITING 6/07/95						type Product Customer Drawing	
		appd D. WHITING 6/07/95							
sheet index		revision sheet							

PRODUCT NUMBER NOTE 11,4C	QTY. REEL	TAPE WIDTH PITCH MM	CONNECTOR ORIENTATION IN TAPE POCKET
87409-135TR	500	72/12	VIEW 1
87409-140TR	↑	72/12	↑
87409-145TR		72/12	
87409-150TR		88/12	
87849-105TR		24/12	
87849-110TR		24/12	
87849-115TR		44/12	
87849-120TR		44/12	
87849-125TR		56/12	
87849-130TR		56/12	
87849-135TR		72/12	
87849-140TR		72/12	
87849-145TR		72/12	
87849-150TR		88/12	
88566-110TR		24/12	
88566-115TR		44/12	
88566-130TR	500	56/12	
90098-105TR	400	24/12	
90098-110TR	400	32/12	
90098-115TR	500	44/12	
90098-120TR	500	44/12	
90098-125TR	400	56/12	
90098-130TR	500	56/12	
90098-135TR	↑	72/12	
90098-140TR		72/12	
90098-145TR		72/12	
90098-150TR		88/12	
90863-110	↓	24/12	↓
90863-115	500	44/12	VIEW 1

TABLE C

mat'l. code -		surface ISO 1302 ✓	tolerance ISO 406 ISO 1101	projection 	product family RIBCAGE
ltr	ecn	no	dr	date	tolerances unless otherwise specified
AG					angles linear .XX±.01/0.3 .XXX±.005/0.13 ±2' .XXX±.0020/0.05
					INCH/MM scale 3:1
					title RIBCAGE III SMT VERT. HEADER ASS'Y
					dr M. CORNMAN 6/07/95
					enrg D. WHITING 6/07/95
					chr D. WHITING 6/07/95
					appd D. WHITING 6/07/95
					FCJ logo
					dwg no 95781 sheet 7 of 8 size A3
					type Product Customer Drawing
sheet index	revision sheet				

PRODUCT NUMBER NOTE 11,4C	QTY. REEL	TAPE WIDTH PITCH MM	CONNECTOR ORIENTATION IN TAPE POCKET
90863-115REV	500	44/12	VIEW 2
90863-120	↑	44/12	VIEW 1
90863-125		56/12	↑
90863-130		56/12	
91036-110P		24/16	
93206-110TR	↓	24/12	
93206-115TR	500	44/12	
93221-105TR	400	24/12	
93221-110TR	400	32/12	
93221-115TR	500	44/12	
93221-120TR	500	44/12	
93221-125TR	400	56/12	
93221-130TR	500	56/12	
93221-135TR	↑	72/12	
93221-140TR		72/12	
93221-145TR	↓	72/12	↓
93221-150TR	500	88/12	VIEW 1

TABLE C

NOTES:

- ① XXXXX-XXXLF
 - LEAD FREE OPTION (NOTE 11& 13)
 - NUMBER OF POSITIONS (NOTE 2)
2. NUMBER OF POSITIONS = 05 THRU 50 IN 5 POS INCREMENTS.
(EXAMPLE : 105=10 POS., 110=20 POS. ETC.)
- ③ REQUIRED ON -X40,-X45 & -X50 POSITION PARTS ONLY.
- ④ PACKAGING :
 A. ANTISTATIC TUBES. SEE TABLE A
 B. ADD "CT" TO END OF DASH NUMBER FOR CONNECTOR WITH VACUUM CAP IN ANTISTATIC TUBES.
 EX. : XXXXX-1XXCT
 C. PRESSURE SEALED TAPE AND REEL. SEE TABLE C FOR AVAILABLE PART NUMBERS.
5. HOUSING MATERIAL :
 GLASS FILLED THERMOPLASTIC FLAME RETARDANT PER UL 94V-0.
 COLOR : NATURAL
6. TERMINAL PLATING :
 30u"/.76u HARD GOLD OR GXT OVER 50u"/1.27u NI ON CONTACT ZONES.
 100u"/2.54u PURE TIN OVER 50u"/1.27u Ni IN SOLDERING ZONES.
- ⑦ MOLDING FLOW RESTRICTOR QUANTITY AND LOCATION IS MANUFACTURING OPTION.
- ⑧ VACUUM CAP SLOT REQUIRED ON ALL SIZES, SLOT MAY BE LOCATED ON OPPOSITE SIDE FOR 2 X 5.
- ⑨ STYLE 6 IS NOT AVAILABLE IN TAPE AND REEL.
- ⑩ 90863-1XX IS PACKAGED ONLY IN TAPE AND REEL.
- ⑪ ADD LF SUFFIX AT THE END OF PART NUMBER FOR LEAD FREE OPTION.
12. THE HOUSING WILL WITHSTAND EXPOSURE TO 260°C PEAK TEMPERATURE FOR 20 SECONDS IN A CONVECTION, INFRA-RED OR VAPOR PHASE REFLOW OVEN. SEE APPLICATION NOTE/PROCEDURES IF THEY ARE AVAILABLE.
13. THIS PRODUCT MEETS EUROPEAN UNION DIRECTIVES AND OTHER COUNTRY REGULATION AS DESCRIBED IN GS-22-008.
14. PRODUCT SPECIFICATION SEE BUS-12-087.

mat'l. code		surface		tolerance		projection		product family	
-		ISO 1302 ✓		ISO 406 ISO 1101				RIBCAGE	
ltr	ecn	no	dr	date		tolerances unless otherwise specified		title	
AG						.XX±.01/0.3 .XXX±.005/0.13 .XXX±.0020/0.051		RIBCAGE III SMT VERT. HEADER ASS'Y	
				angles	linear			INCH/MM scale 3:1	
				±2'				dwg no 95781 sheet 8 of 8 size A3	
				dr	M. CORNMAN	6/07/95			
				engr	D. WHITING	6/07/95		type Product Customer Drawing	
				chr	D. WHITING	6/07/95			
				appd	D. WHITING	6/07/95			
sheet index	revision sheet								

Mouser Electronics

Authorized Distributor

Click to View Pricing, Inventory, Delivery & Lifecycle Information:

[FCI / Amphenol:](#)

[87401-130](#) [87401-150](#) [87409-115](#) [87409-115TR](#) [91036-140](#) [91036-150](#) [87409-145](#) [73547-150](#) [87409-150](#)
[73546-140](#) [87409-145LF](#) [87409-105CTLF](#) [87409-120CTLF](#) [87409-120TRLF](#) [87409-125CTLF](#) [87409-125TRLF](#)
[87409-130CTLF](#) [87409-130TRLF](#) [87409-140TRLF](#) [87849-110TR](#) [87849-110TRLF](#) [90098-130CTLF](#) [93289-140CTLF](#)
[87409-125TR](#) [87409-130TR](#) [87409-140CTLF](#) [87409-140TR](#) [90098-120TRLF](#) [87849-115LF](#) [87409-125LF](#) [87401-](#)
[140LF](#) [87409-105](#) [87409-110](#) [87409-120](#) [87409-130](#) [87409-135](#) [87409-140](#) [87849-105](#) [87849-110](#) [87849-120](#)
[87849-125](#) [87849-135](#) [87849-140](#) [87849-145](#) [87849-150](#) [90098-105](#) [90098-110](#) [90098-115](#) [90098-120](#) [90098-125](#)
[90098-130](#) [90098-135](#) [90098-140](#) [90098-145](#) [90098-150](#) [91036-105](#) [91036-110](#) [91036-115](#) [91036-120](#) [91036-](#)
[125](#) [91036-130](#) [91036-135](#) [91036-145](#) [93221-120](#) [93221-125](#) [93289-105](#) [93289-110](#) [93289-115](#) [93289-120](#)
[93289-125](#) [93289-130](#) [93289-135](#) [93289-145](#) [93289-150](#) [73547-105LF](#) [73547-110LF](#) [73547-115LF](#) [73547-120LF](#)
[73547-125LF](#) [73547-130LF](#) [73547-140LF](#) [73547-150LF](#) [87401-130LF](#) [87409-105LF](#) [87409-115LF](#) [87409-130LF](#)
[87409-135LF](#) [87409-140LF](#) [87409-150LF](#) [87849-105LF](#) [87849-110LF](#) [87849-120LF](#) [87849-125LF](#) [87849-130LF](#)
[87849-135LF](#) [87849-140LF](#) [87849-145LF](#) [87849-150LF](#) [88566-130LF](#) [90098-105LF](#)