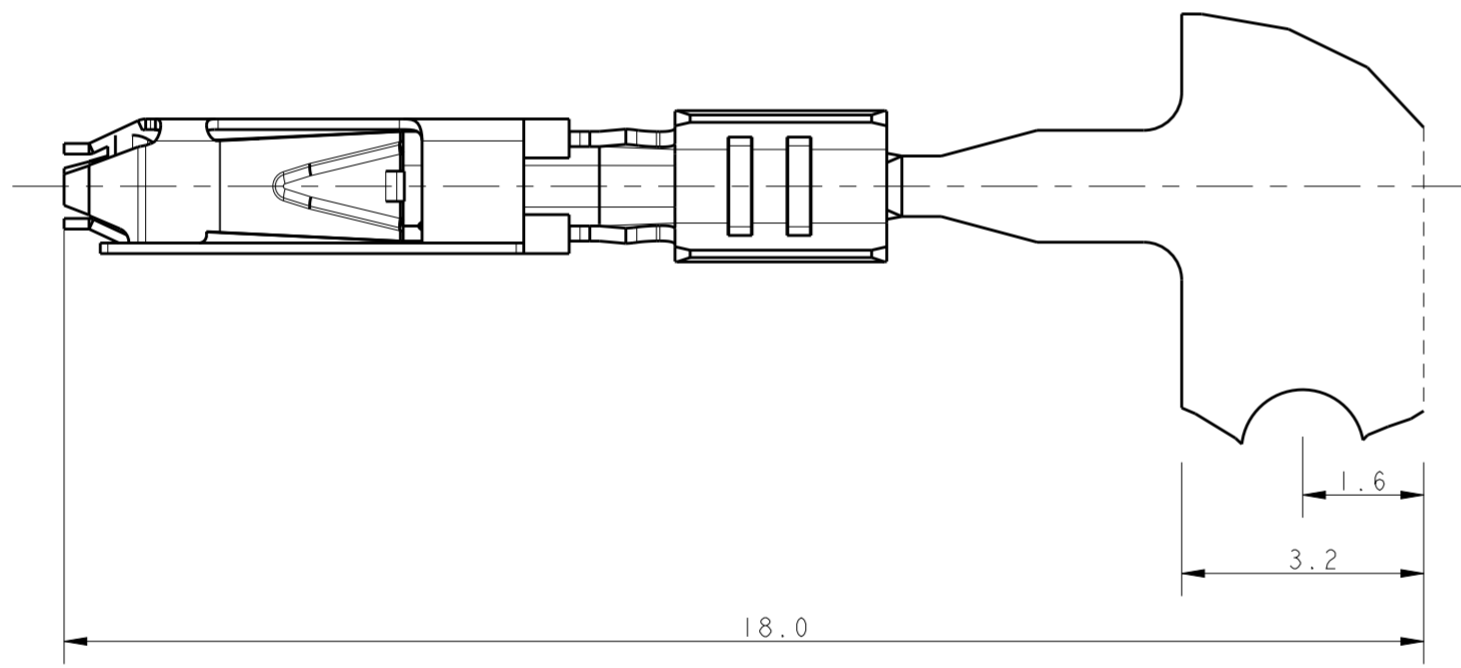
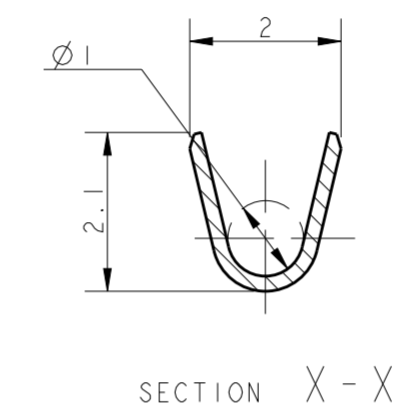
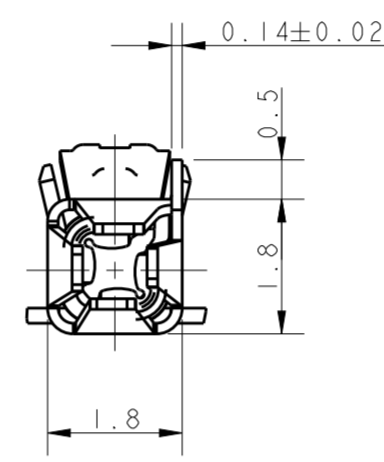
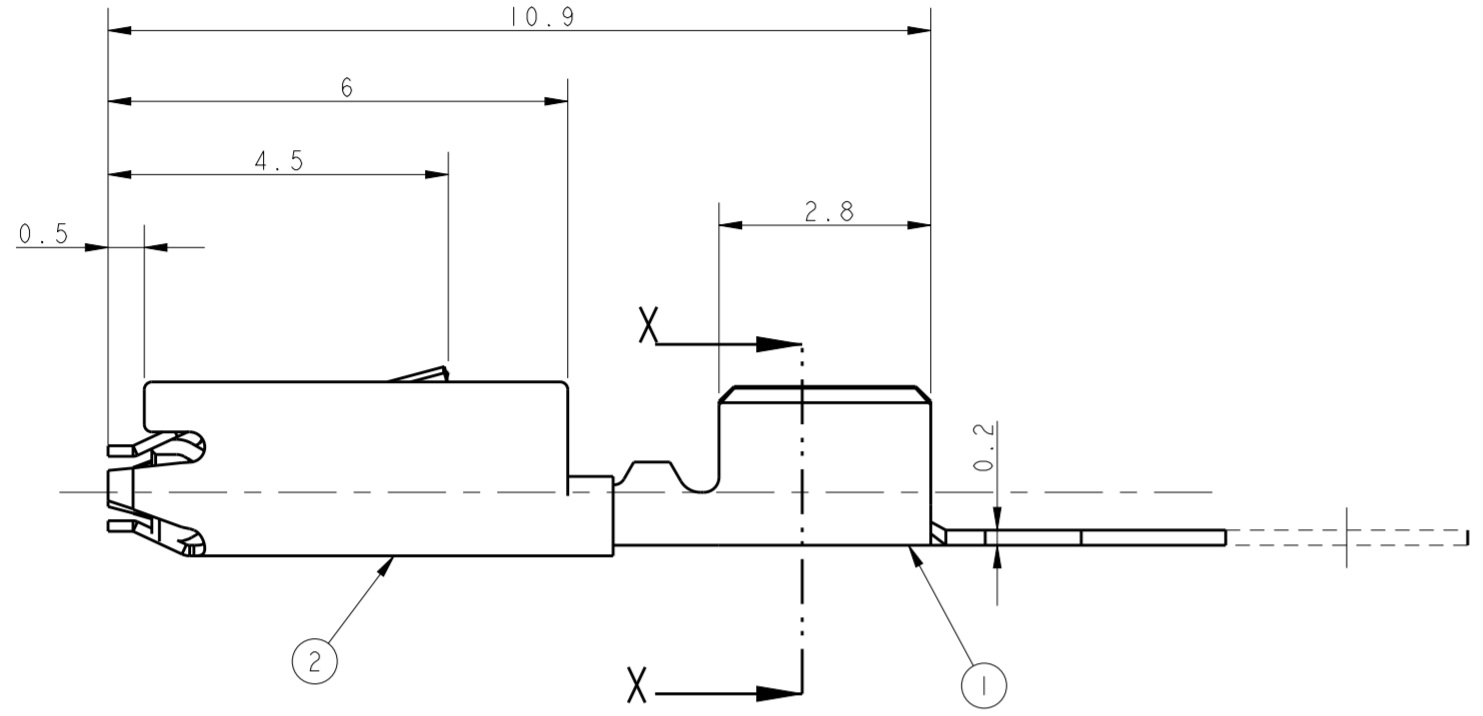


THIS DRAWING IS UNPUBLISHED. RELEASED FOR PUBLICATION  
 © COPYRIGHT 2007 BY - ALL RIGHTS RESERVED.

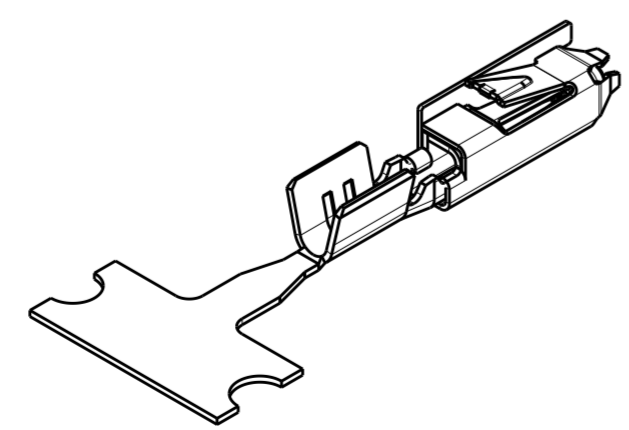
REVISIONS					
P	LTR	DESCRIPTION	DATE	DWN	APVD
C	I	Revised documentation ECR-09-002001	28JAN2009	AV	GT
D		Changed spring design	04FEB2010	AV	GT
E		UPDATED PART REVISION	24FEB2011	AV	GT
F		REVISED PER ECR-17-004903	09MAY2017	SK	JL



Bemerkungen  
NOTES

1. Passend zu Stiftkontakt siehe Zeichnung: AMP: 1740335  
SUITABLE FOR PIN CONTACT SEE DRAWING:
2. Kontakt geeignet für Drahtgroessenbereich 0.5...0.75mm<sup>2</sup>  
CONTACT ACCEPTS WIRE-SIZE 0.5...0.75mm<sup>2</sup>
3. Halbautomatisches Werkzeug und Handzange  
(je für 2 crimps in einem Durchgang) verfügbar  
SEMI-AUTOMATIC TOOL AND HANDTOOL  
(EACH FOR 2 CRIMPS IN ONE CYCLE) AVAILABLE:
4. Abmantellänge für crimp ist 3,5 mm  
STRIPPED CABLE LENGTH FOR CRIMP IS 3.5mm
5. Gewicht ca. 0,12g  
WEIGHT ABOUT 0.12g
6. Werkzeugvorschub 7,0 mm  
DIE FEED 7.0 mm
7. Aufgerollt auf Kartonspule  
REELED ON PAPER-REEL

9	<del>1740336-8</del>	1740336-7	E	2	SPRING	X10CrNi 18 8		
				1	BODY	CuNiSi	GOLD PLATED	
9	<del>1740336-6</del>	1740336-4	E	2	SPRING	X10CrNi 18 8		
				1	BODY	CuNiSi	TIN PLATED	
9	1740336-3	1740336-1	E	2	SPRING	X10CrNi 18 8		
				1	BODY	CuNiSi	BLANK	
DIRECTION OFF TOP OF REEL		LOOSE PIECE	PART NO	REV	POS	DESCRIPTION	MATERIAL	FINISH OF CONTACT AREA



MASSTAB 5:1

DIRECTION OFF TOP OF REEL Fertig-zustand	THIS DRAWING IS A CONTROLLED DOCUMENT.		DWN PRAVEEN 24 APR 06	TE Connectivity NAME MICRO QUADLOK SYSTEM SOCKET CONTACT SIZE CAGE CODE DRAWING NO RESTRICTED TO A200779 C-1740336 -			
	DIMENSIONS: mm 	TOLERANCES UNLESS OTHERWISE SPECIFIED: 0 PLC ± 1 PLC ±0.2 2 PLC ± 3 PLC ± 4 PLC ± ANGLES ± FINISH	CHK S. SKADE 24 APR 06 APVD T. GERLACH 24 APR 06 PRODUCT SPEC 108-94018 APPLICATION SPEC 114-18751 WEIGHT -				

# Mouser Electronics

Authorized Distributor

Click to View Pricing, Inventory, Delivery & Lifecycle Information:

[TE Connectivity:](#)

[1740336-4](#)