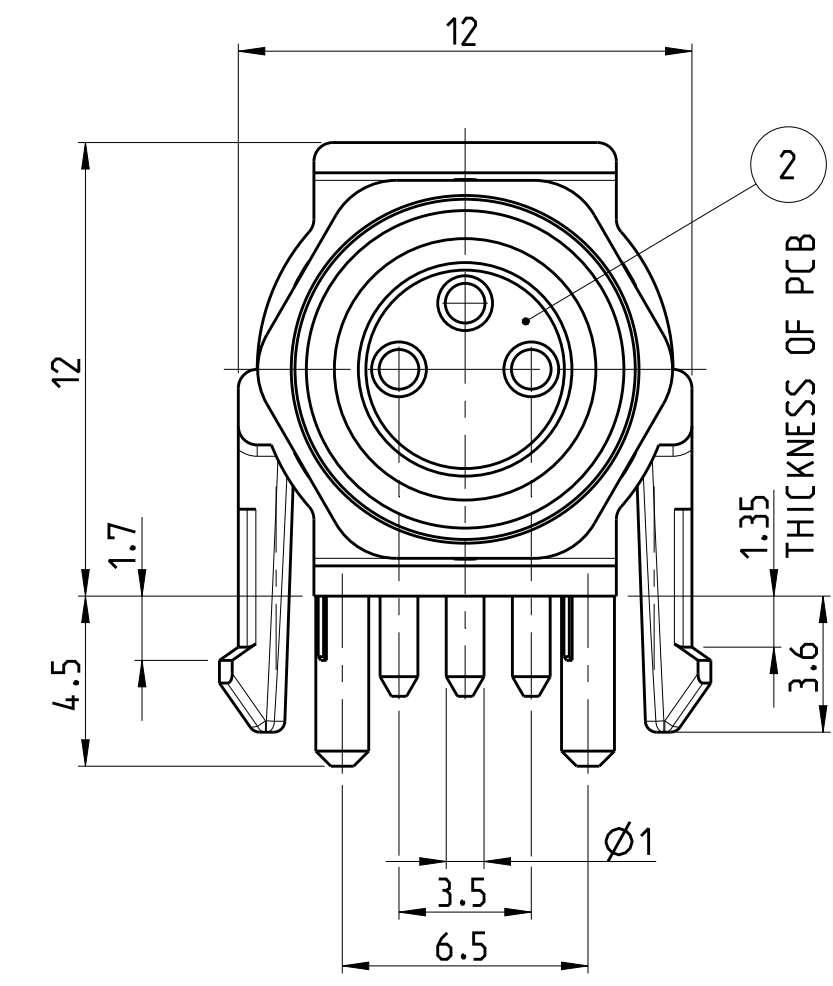
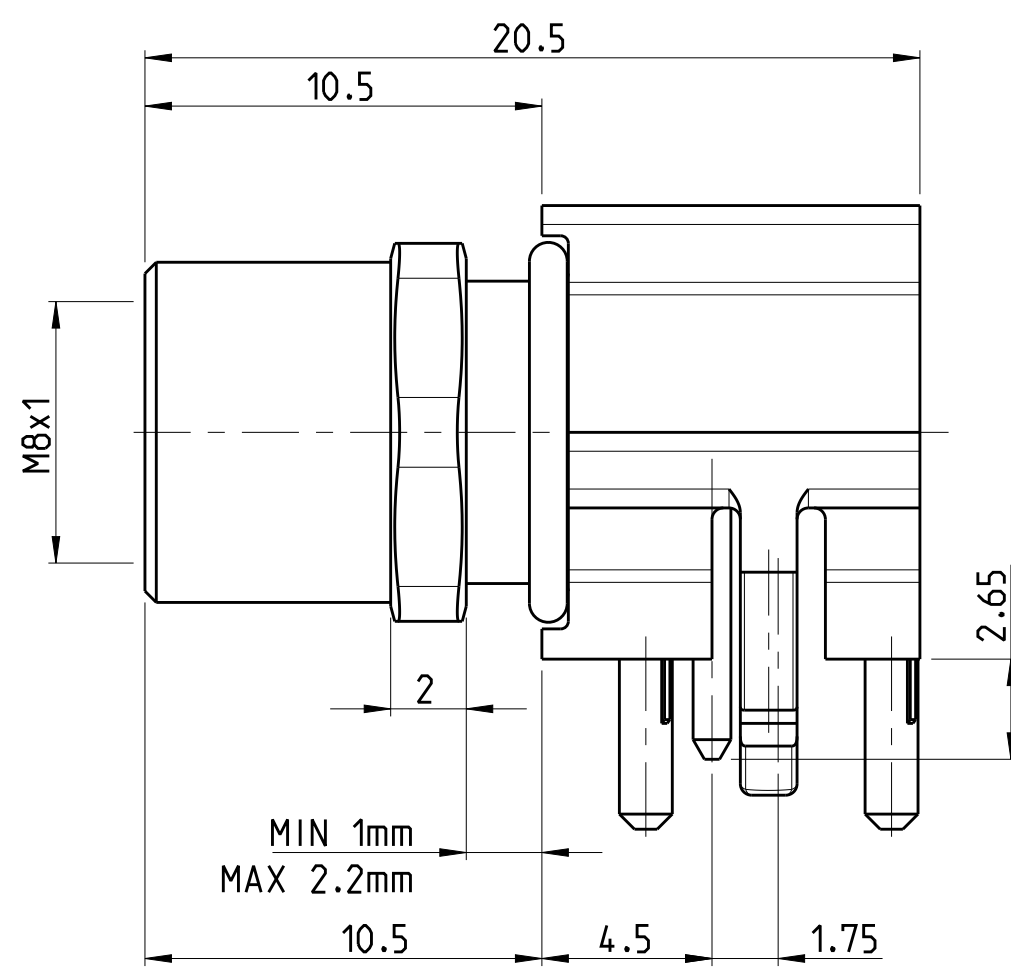


THIS DRAWING IS UNPUBLISHED. VERTRÄULICHE UNVERÖFFENTLICHTE ZEICHNUNG. RELEASED FOR PUBLICATION FREI FÜR VERÖFFENTLICHUNG. 2014. MATED WITH: PASSEND ZU: ALL RIGHTS RESERVED. ALLE RECHTE VORBEHALTEN. Tyco Electronics AMP GmbH

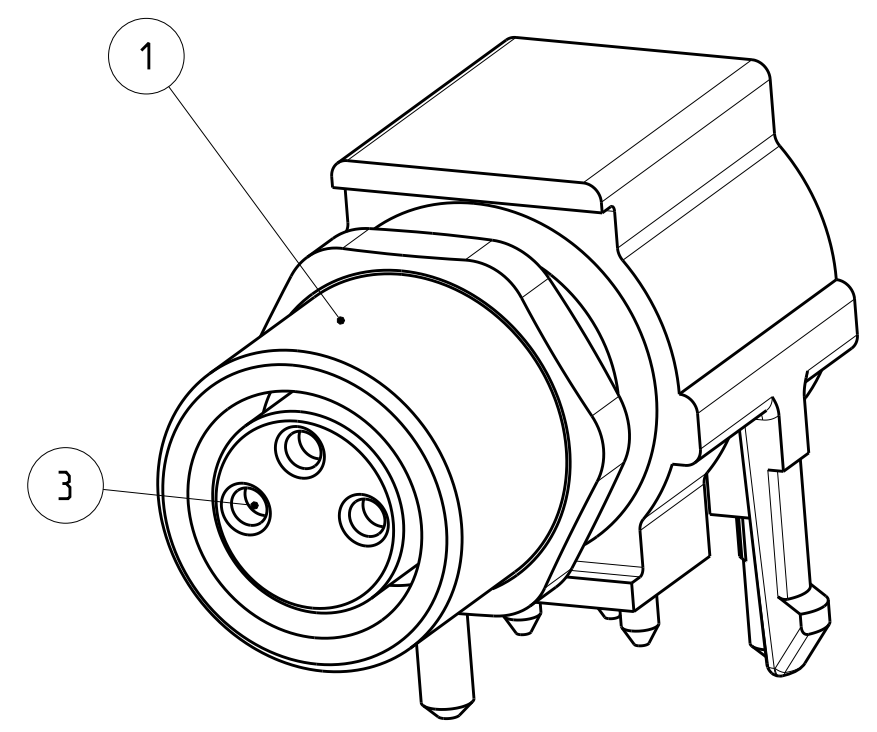
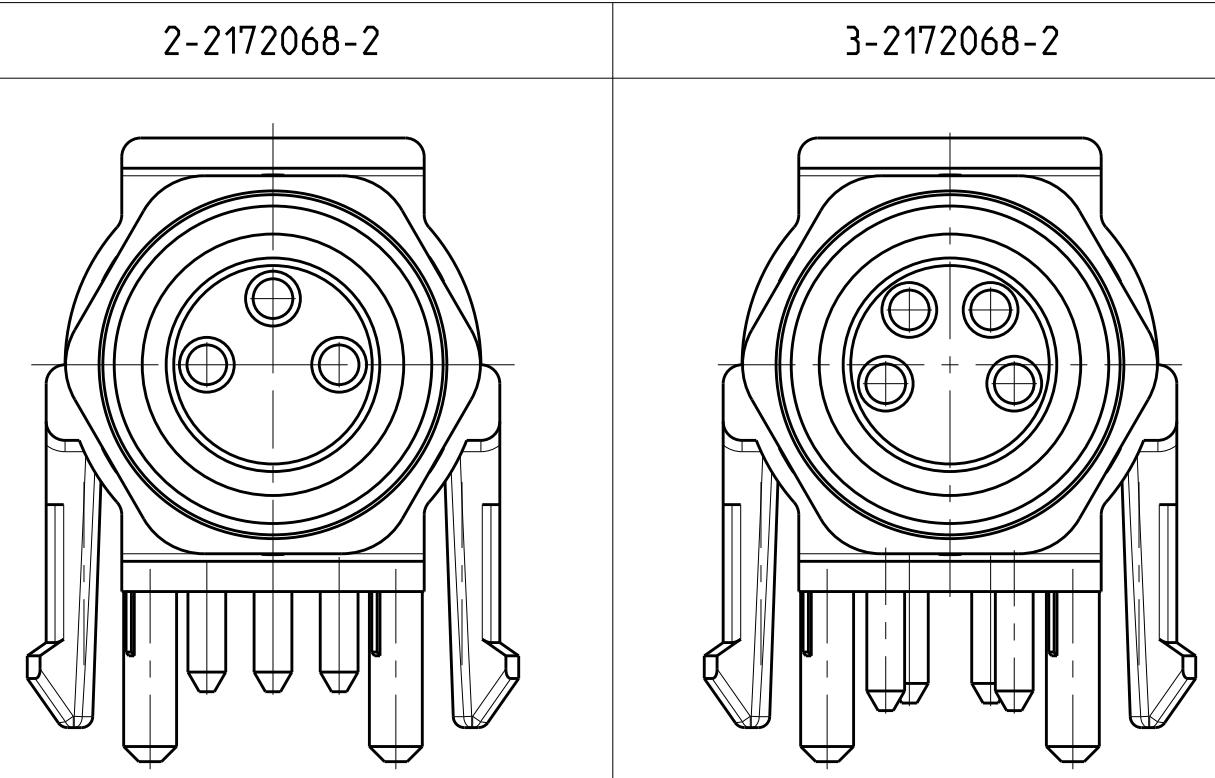
PROJKT NR.: PRJ-11-000004377

P	LTR	REVISIONS ÄNDERUNGEN DESCRIPTION BESCHREIBUNG	DATE	DWN	APVD
A		NEW RELEASE	04DEC2014	TJ	PS
A1		TEXT CORRECTD FROM M12 TO M8 IN TITLE BLCK	12OCT2015	TJ	NG
A2		DIM 3.25 CORRECTED TO 3 IN PCB LAYOUT	23NOV2016	TJ	NG
A3		PN 3-2172068-2 DISCONTINUED	27OCT2017	TJ	NG

TECHNICAL DATA	2-2172068-2	3-2172068-2
RATED VOLTAGE	60V	30V
RATED IMPULSE VOLTAGE	800V	800V
POLLUTION DEGREE	3	3
OVERVOLTAGE CATEGORY	II	II
MATERIAL GROUP	II	II
RATED CURRENT	4A	4A
VOLUME RESISTIVITY	≤ 3mΩ	≤ 3mΩ
DEGREE OF PROTECTION	IP67	IP67
UPPER TEMPERATURE	+85 °C	+85 °C
LOWER TEMPERATURE	-40 °C	-40 °C

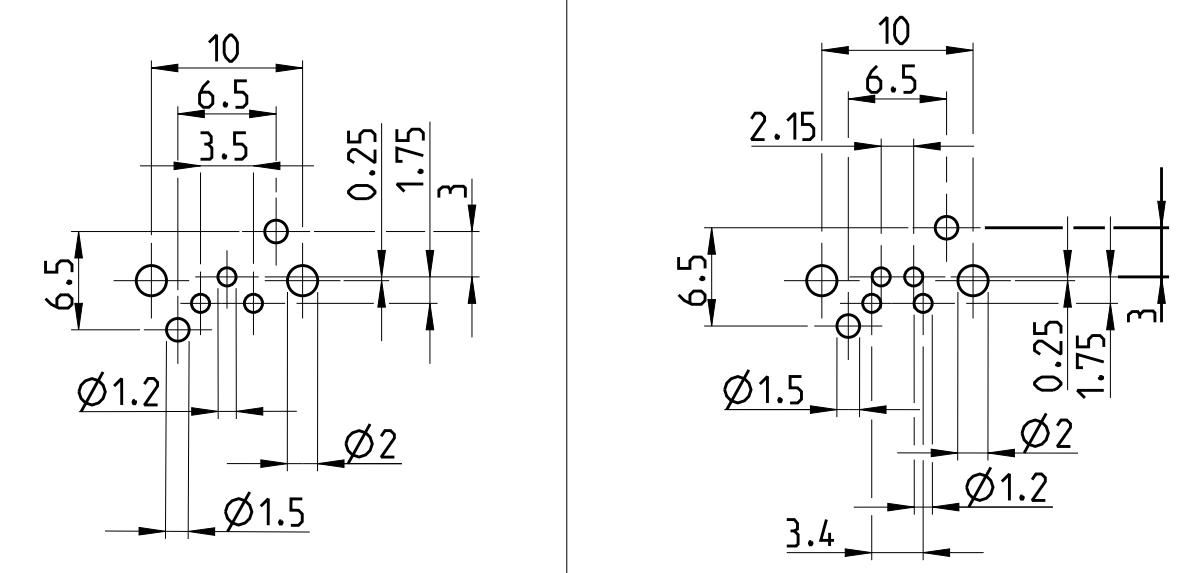


PIN ARRANGEMENT



NOTES:
 1 MATERIAL: ITEM NO. 1: HOUSING - CuZn (BRASS NICKEL PLATED)
 ITEM NO. 2: CONTACT BODY - PA
 ITEM NO. 3: CONTACT - CuSn (BRONZE)
 CONTACT FINISH - Au (GOLD)
 2 ALL DIMENSIONS ARE FOR NOMINAL REFERENCE ONLY UNLESS OTHERWISE STATED

PCB LAYOUT



SIZE ISO 14405 (E)

OBSOLETE	⚠	4	3-2172068-2
	⚠	3	2-2172068-2
MATERIAL		NUMBER OF POLES	TE-PART-NO.

DIESE ZEICHNUNG IST EIN KONTROLLIERTES DOKUMENT. BEMASSUNGEN UND TOLERANZEN GEMAESS GPS (ISO STANDARDS).		DWN YASHKUMAR 25 JUL 2014	
THIS DRAWING IS A CONTROLLED DOCUMENT. DIMENSIONING AND TOLERANCING PER GPS (ISO STANDARDS).		CHK M. BRUBAKER 25 JUL 2014	
DIMENSIONS: MASSE/WEITEN: (MM)		APVD M. BRUBAKER 25 JUL 2014	
TOLERANCES UNLESS OTHERWISE SPECIFIED: ALLGEMEINTOLERANZEN		NAME M. BRUBAKER	
0 PLC ±	1 PLC ±	PRODUCT SPEC 108-19483	
2 PLC ±	3 PLC ±	APPLICATION SPEC 114-32127	
4 PLC ±	ANGLES/WINKEL ±	WEIGHT GEWICHT -	
FINISH/OBERFLAECHE/FARBE		Customer Drawing	

STE TE Connectivity			
M8 RECEPTACLE, FEMALE, PCB MOUNT, ANGLED, UL APPROVED			
SIZE	CAGE CODE	DRAWING NO. ZEICHNUNGS-NR.	RESTRICTED TO NUR FÜR
A2	00779	G-2172068	-
SCALE MASSSTAB 2:1		SHEET BLATT 1 OF VON 1	REV A3

Mouser Electronics

Authorized Distributor

Click to View Pricing, Inventory, Delivery & Lifecycle Information:

[TE Connectivity:](#)

[3-2172068-2](#)