


THIS DRAWING IS UNPUBLISHED. RELEASED FOR PUBLICATION
 © COPYRIGHT - By - ALL RIGHTS RESERVED.

REVISIONS					
P	LTR	DESCRIPTION	DATE	DWN	APVD
R4		REVISED PER ECO-12-017913	10OCT12	KH	MZ
S		REVISED PER ECO-17-013721	16NOV2017	RS	MZ

- 1 FINISH-SILVER PLATE 200 | IN THICK MIN.
- 2 FINISH-NICKEL PLATE 40 | IN THICK MIN.
- 3 FINISH-GOLD PLATE 10 | IN THICK MIN.
- 4 FINISH-GOLD PLATE 20 | IN THICK MIN.
- 5 FINISH-GOLD PLATE 80 | IN THICK MIN.
- 6 FINISH-NICKEL PLATE 50 | IN THICK MIN.
- 7 FINISH-GOLD PLATE 50 | IN THICK MIN.
- 8 FINISH-NICKEL PLATE 100 | IN THICK MIN.
- 9 FINISH-TIN PLATE 200 | IN THICK MIN.
- 10 NOT USED.
- 11 PLATING NOTES ARE TO BE INTERPRETED AS FOLLOWS, 6-8 AS 6 OVER 8.
- 12 MATERIAL: CDA17200 BeCu.
- 13 MATERIAL-STAINLESS STEEL.
- 14 PRODUCT IS SOLD BY THE FOOT.
- 15 COIL TO 3 INCH INSIDE DIAMETER.
- 16 MATERIAL: CDA 17410 BeCu.
- 17 OBSOLETE PART NUMBER
- 18 MATERIAL CERTIFICATION REQUIRED.
- 19 OBSOLETE PARTS: OBSOLETE CIS STREAMLINING PER D.RENAUD/D.SINISI

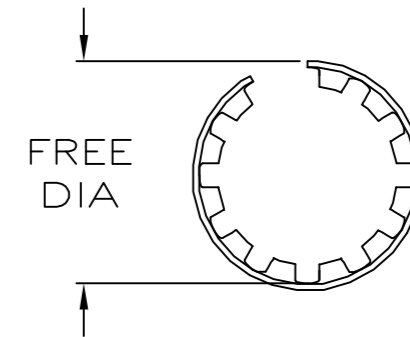
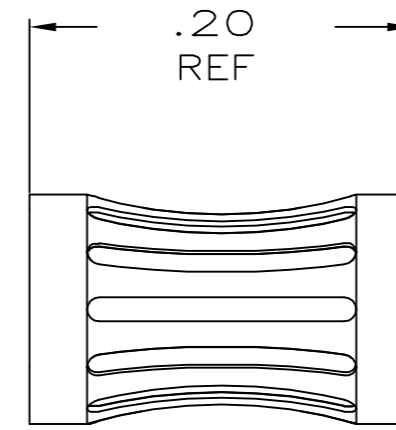
PIN #	LENGTH	STYLE	FREE DIA	(LH)	NUM LOUV	PLATING (NOTE)	MAT'L (NOTE)	MAT'L THK	REF				
[.062]		--	A	[.09]	[.016]	7	UNPL	12	0.12[.005]	05018	5-192044-0		
[.062]		--	A	[.09]	[.016]	8	7-2	12	0.10[.004]	05069	4-192044-9	OBSOLETE	
[.062]		--	A	[.09]	[.016]	8	UNPL	12	0.10[.004]	05107	4-192044-8		
[.062]		--	A	[.09]	[.018]	7	4-2	12	0.10[.004]	05111	4-192044-7	OBSOLETE	
[.062]		--	A	[.09]	[.018]	7	UNPL	12	0.10[.004]	05110	4-192044-6	OBSOLETE	
[.047]		--	A	[.09]	[.016]	7	7-2	12	0.12[.005]	05006	4-192044-5		
[.062]		--	A	[.09]	[.016]	6	3-2	12	0.12[.005]	05005	4-192044-4		
[.040]		--	A	[.09]	[.015]	6	7-2	12	0.12[.005]	05004	4-192044-3	OBSOLETE	
[.032]		--	A	[.06]	[.020]	4	UNPL	13	0.12[.005]	05041	4-192044-2	OBSOLETE	
[.030]		--	A	[.06]	[.018]	4	3-2	12	0.12[.005]	05039	4-192044-1		
[.030]		--	A	[.06]	[.018]	4	1-2	12	0.12[.005]	05033	4-192044-0	OBSOLETE	
[.030]		--	A	[.06]	[.018]	4	UNPL	12	0.12[.005]	05030	3-192044-9	OBSOLETE	
NOT AVAILABLE		C	--	[.027]		3	3-2	12	0.12[.005]	05003	3-192044-8	OBSOLETE	
--		C	--	[.027]		73	1-2	14	0.10[.004]	05152	3-192044-7		
--		C	--	[.027]		73	UNPL	14	0.10[.004]	05161	3-192044-6		
--		C	--	[.022]		21	1-2	12	0.12[.005]	05169	3-192044-5		
--		C	--	[.022]		21	UNPL	12	0.12[.005]	05168	3-192044-4		
--		C	--	[.022]		17	UNPL	12	0.12[.005]	--	3-192044-3		
--		C	--	[.022]		17	5-6	12	0.12[.005]	05127	3-192044-2		
--		C	--	[.022]		13	1-2	12	0.12[.005]	05136	3-192044-1		
--	15 [72]	C	--	[.022]		--	4-2	12	0.10[.004]	05116	3-192044-0	OBSOLETE	
--	15 [144]	C	--	[.022]		--	UNPL	12	0.10[.004]	05117	2-192044-9		
--	[72]	C	--	[.022]		--	1-2	12	0.10[.004]	05181	2-192044-8		
SUPERSEDED BY 193792-2										05159	2-192044-7		
SUPERSEDED BY 193792-1										05158	2-192044-6		
--	NOTE 14	C	--	[.022]		--	3-2	12	0.15[.006]	05001	2-192044-5		
--	NOTE 14	C	--	[.022]		--	UNPL	12	0.15[.006]	05150	2-192044-4		
--	NOTE 14	C	--	[.018]		--	1-2	12	0.15[.006]	05000	2-192044-3		
--	NOTE 14	C	--	[.018]		--	UNPL	12	0.15[.006]	05058	2-192044-2		
--	NOTE 14	C	--	[.022]		--	3-2	12	0.12[.005]	05035	2-192044-1		
SUPERSEDED BY 1-192044-9										05095	2-192044-0		
--	NOTE 14	C	--	[.022]		--	1-2	12	0.12[.005]	05063	1-192044-9		
--	NOTE 14	C	--	[.022]		--	UNPL	12	0.12[.005]	05037	1-192044-8		
--	NOTE 14	C	--	[.018]		--	3-2	12	0.12[.005]	05036	1-192044-7		
--	NOTE 14	C	--	[.018]		--	1-2	12	0.12[.005]	05080	1-192044-6		
--	NOTE 14	C	--	[.018]		--	UNPL	12	0.12[.005]	05034	1-192044-5		
--	NOTE 14	C	--	[.022]		--	UNPL	14	0.12[.005]	05139	1-192044-4		
--	NOTE 14	C	--	[.022]		--	UNPL	14	0.10[.004]	05142	1-192044-3		
NOT AVAILABLE											17	1-192044-2	
NOT AVAILABLE											17	1-192044-1	
NOT AVAILABLE											17	1-192044-0	
NOT AVAILABLE											17	192044-9	
NOT AVAILABLE											17	192044-8	
NOT AVAILABLE											17	192044-7	
NOT AVAILABLE											17	192044-6	
NOT AVAILABLE											17	192044-5	
NOT AVAILABLE											17	192044-4	
NOT AVAILABLE											17	192044-3	
NOT AVAILABLE											17	192044-2	
NOT AVAILABLE											17	192044-1	
PIN #	LENGTH	STYLE	FREE DIA	(LH)	NUM LOUV	PLATING (NOTE)	MAT'L (NOTE)	MAT'L THK	REF				

THIS DRAWING IS A CONTROLLED DOCUMENT.		DWN RA JAYNE 12-13/91	 TE Connectivity	
DIMENSIONS: INCHES		CHK J.TURNER 08-04-93		
TOLERANCES UNLESS OTHERWISE SPECIFIED:		APVD S. SIEGRIST 8/5/93	NAME	
0 PLC ± -		PRODUCT SPEC		
1 PLC ± -		APPLICATION SPEC		
2 PLC ± .02		SIZE CAGE CODE DRAWING NO RESTRICTED TO		
3 PLC ± .010		A2 00779 C=192044		
4 PLC ± -		SCALE NTS SHEET 1 of 2 REV S		
ANGLES ± -		CUSTOMER DRAWING		
FINISH				
MATERIAL SEE TABLE				

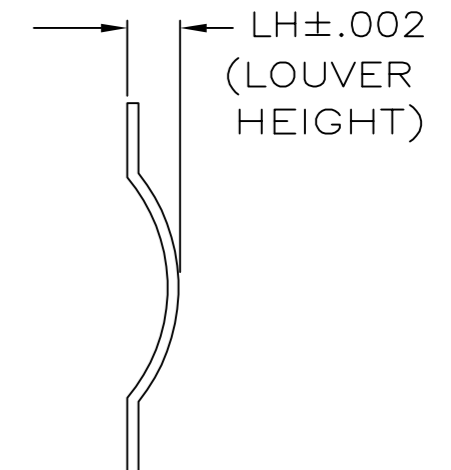
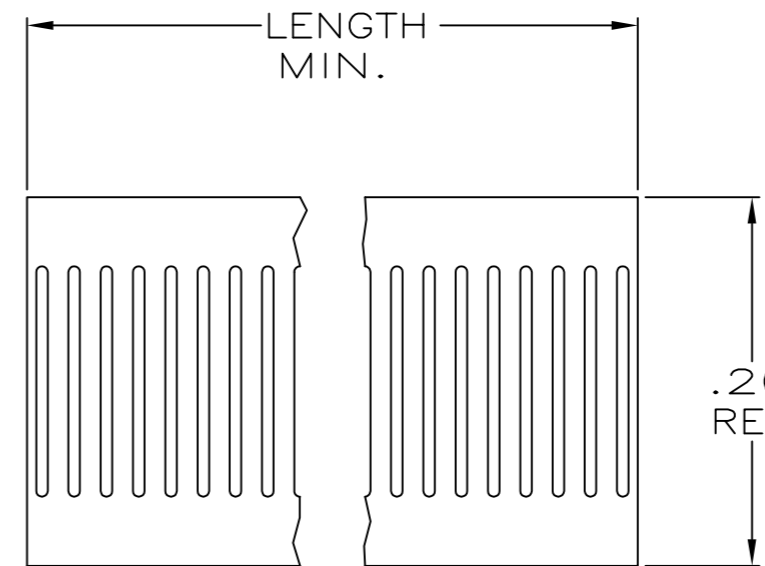
THIS DRAWING IS UNPUBLISHED. RELEASED FOR PUBLICATION
 © COPYRIGHT - By - ALL RIGHTS RESERVED.

REVISIONS					
P	LTR	DESCRIPTION	DATE	DWN	APVD
-	-	SEE SHEET 1	-	-	-

FREE DIA	(LH)	STYLE	LENGTH	MATING	NUM LOUV	PLATING (NOTE)	MAT'L (NOTE)	MAT'L THK	REF	PART NO.		
[.20]	[.022]	A	--	[.157]	18	3-2	12	0.12	[.005]	05013	9-192044-9	
[.20]	[.022]	A	--	[.157]	18	1-2	12	0.12	[.005]	05130	9-192044-8	
[.20]	[.022]	A	--	[.157]	18	UNPL	12	0.12	[.005]	05131	9-192044-7	
[.20]	[.018]	A	--	[.152]	16	7-2	12	0.15	[.006]	05012	9-192044-6	
[.20]	[.018]	A	--	[.150]	16	7-2	12	0.12	[.005]	05011	9-192044-5	
[.19]	[.018]	A	--	[.143]	17	3-2	12	0.12	[.005]	05098	9-192044-4	
[.19]	[.018]	A	--	[.143]	17	1-2	12	0.12	[.005]	05188	9-192044-3	
[.19]	[.018]	A	--	[.143]	17	UNPL	12	0.12	[.005]	05153	9-192044-2	
[.16]	[.015]	--	--	[.125]	14	3-2	12	0.15	[.006]	05010	9-192044-1	
[.16]	[.015]	--	--	[.125]	14	1-2	12	0.15	[.006]	05057	9-192044-0	
[.15]	[.015]	A	--	[.125]	14	UNPL	12	0.15	[.006]	05154	8-192044-9	
[.15]	[.015]	A	--	[.125]	13	UNPL	12	0.15	[.006]	05047	8-192044-8	
[.15]	[.022]	A	--	[.125]	13	UNPL	13	0.12	[.005]	05026	8-192044-7	
SUPERSEDED BY 193670-4										05183	8-192044-6	OBSOLETE
[.16]	[.015]	A	--	[.125]	14	7-2	12	0.12	[.005]	05109	8-192044-5	19
[.16]	[.015]	A	--	[.125]	14	3-2	12	0.12	[.005]	05060	8-192044-4	
[.16]	[.015]	A	--	[.125]	14	1-2	12	0.12	[.005]	05061	8-192044-3	
[.16]	[.015]	A	--	[.125]	14	UNPL	12	0.12	[.005]	05062	8-192044-2	OBSOLETE
[.16]	[.018]	A	--	[.125]	14	4-2	12	0.10	[.004]	05132	8-192044-1	
[.16]	[.018]	A	--	[.125]	14	8	12	0.10	[.004]	05149	8-192044-0	
[.16]	[.018]	A	--	[.125]	14	UNPL	12	0.10	[.004]	05070	7-192044-9	
SUPERSEDED BY 7-192044-9										05068	7-192044-8	OBSOLETE
[.20]	[.018]	A	--	[.125]	14	UNPL	12	0.07	[.003]	05079	7-192044-7	
SUPERSEDED BY 8-192044-4										--	7-192044-6	
[.06]	[.022]	A	--	[.030]	4	3-2	12	0.10	[.004]	05009	7-192044-5	19
[.06]	[.022]	A	--	[.030]	4	UNPL	12	0.10	[.004]	05008	7-192044-4	
[.13]	[.018]	A	--	[.094]	11	UNPL	12	0.15	[.006]	05053	7-192044-3	
[.14]	[.016]	A	--	[.093]	12	3-2	12	0.12	[.005]	05126	7-192044-2	OBSOLETE
[.14]	[.016]	A	--	[.093]	12	3-2	12	0.12	[.005]	05160	7-192044-1	
[.14]	[.016]	A	--	[.093]	12	1-2	12	0.12	[.005]	05128	7-192044-0	
[.14]	[.016]	A	--	[.093]	12	UNPL	12	0.12	[.005]	05125	6-192044-9	
[.12]	[.022]	A	--	[.080]	10	8	12	0.20	[.008]	05173	6-192044-8	OBSOLETE
[.12]	[.022]	A	--	[.080]	10	7-2	12	0.20	[.008]	05124	6-192044-7	19
[.12]	[.022]	A	--	[.080]	10	3-2	12	0.20	[.008]	05007	6-192044-6	OBSOLETE
[.12]	[.022]	A	--	[.080]	10	UNPL	12	0.20	[.008]	05044	6-192044-5	OBSOLETE
[.12]	[.021]	A	--	[.080]	9	3-2	12	0.12	[.005]	05179	6-192044-4	
[.12]	[.021]	A	--	[.080]	9	UNPL	12	0.12	[.005]	05180	6-192044-3	
[.12]	[.018]	A	--	[.080]	9	7-2	12	0.10	[.004]	05172	6-192044-2	OBSOLETE
[.12]	[.018]	A	--	[.080]	9	4-2	12	0.10	[.004]	05112	6-192044-1	19
[.12]	[.018]	A	--	[.080]	9	1-2	12	0.10	[.004]	05118	6-192044-0	
[.12]	[.018]	A	--	[.080]	9	UNPL	12	0.10	[.004]	05108	5-192044-9	OBSOLETE
[.09]	[.020]	A	--	[.065]	8	UNPL	13	0.12	[.005]	05031	5-192044-8	OBSOLETE
[.09]	[.020]	A	--	[.062]	7	UNPL	13	0.12	[.005]	05023	5-192044-7	OBSOLETE
[.09]	[.015]	A	--	[.062]	8	3-2	12	0.12	[.005]	05042	5-192044-6	OBSOLETE
[.09]	[.015]	A	--	[.062]	8	1-2	12	0.12	[.005]	05059	5-192044-5	OBSOLETE
[.09]	[.015]	A	--	[.062]	8	--	12	0.12	[.005]	05056	5-192044-4	
[.09]	[.015]	A	--	[.062]	8	UNPL	12	0.12	[.005]	05104	5-192044-3	OBSOLETE
[.09]	[.016]	A	--	[.062]	8	UNPL	12	0.12	[.005]	05105	5-192044-2	
[.09]	[.016]	A	--	[.062]	7	6-2	12	0.12	[.005]	05106	5-192044-1	19



STYLE A
(FEMALE)



STYLE C
(STRIP)

THIS DRAWING IS A CONTROLLED DOCUMENT.		DWN RA JAYNE 12-13/91	TE Connectivity	
DIMENSIONS: INCHES		CHK J.TURNER 08-04-93		
TOLERANCES UNLESS OTHERWISE SPECIFIED:		APVD S. SIEGRIST 8/5/93	NAME	
0 PLC ± - 1 PLC ± - 2 PLC ± .02 3 PLC ± .010 4 PLC ± - ANGLES ± - FINISH		PRODUCT SPEC		CONTACT BAND,FEMALE
MATERIAL SEE TABLE		APPLICATION SPEC		RESTRICTED TO
SEE TABLE		WEIGHT -	SIZE A2	CAGE CODE 00779
SEE TABLE		DRAWING NO C=192044		SCALE NTS
CUSTOMER DRAWING		SHEET 2 of 2		REV S

Mouser Electronics

Authorized Distributor

Click to View Pricing, Inventory, Delivery & Lifecycle Information:

[TE Connectivity:](#)

[6-192044-6](#)