

NOTES:

1. MATERIALS AND FINISH:

BODY - BRASS, GOLD PLATING
 CONTACT PIN- BERYLLIUM COPPER, GOLD PLATING
 INSULATOR - PTFE

2. ELECTRICAL:

A. IMPEDANCE: 50 OHM, NOMINAL
 B. FREQUENCY RANGE: DC-4 GHz
 C. D.W.V.: 750 VRMS. MIN.

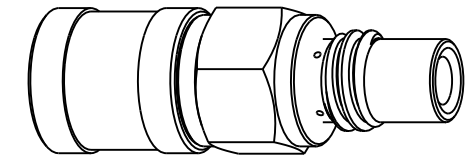
3. MECHANICAL:

A. DURABILITY: 500 CYCLES MIN.
 B. TEMPERATURE RANGE: -65°C TO +165°C

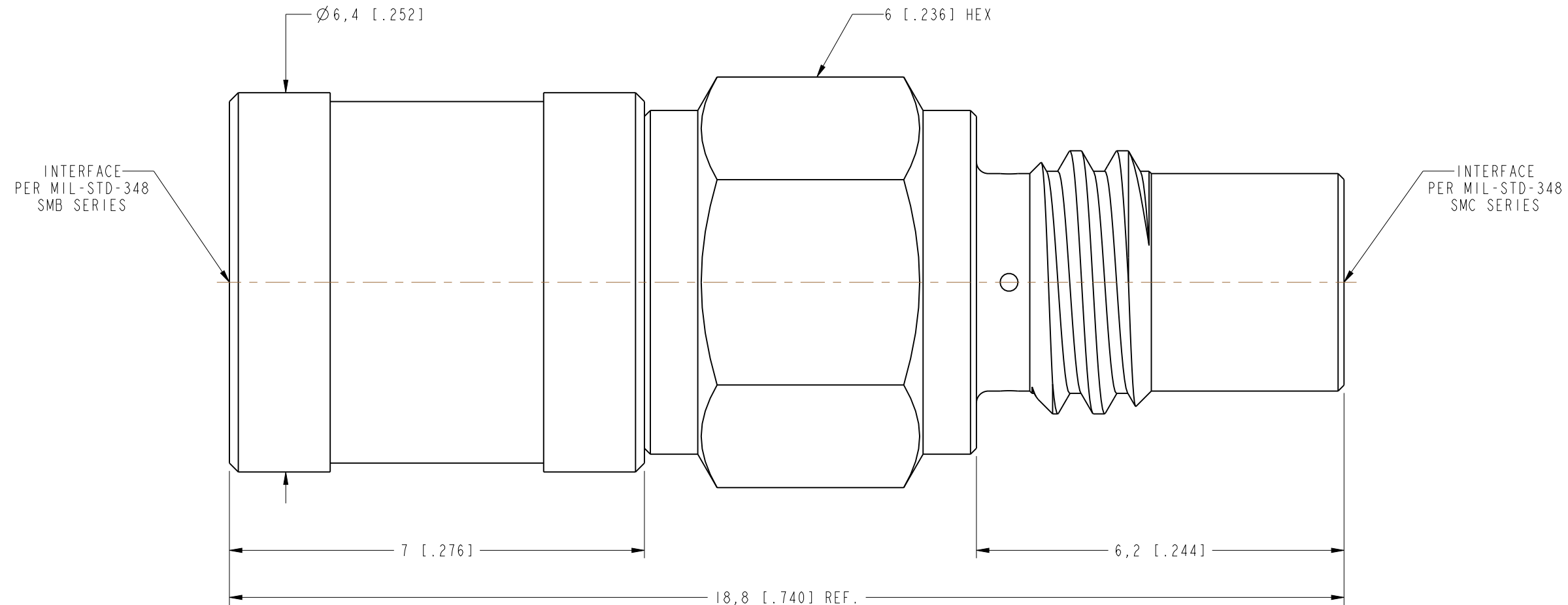
THIRD ANGLE PROJ.

REVISIONS

REV	DESCRIPTION	DATE	ECO	APPR
NC	INITIAL RELEASE	17-May-04	---	---
A	REVISE PART DESCRIPTION	17-Jan-07	---	---
B	SYNC DRAWING, 18.8 [.740] REF. WAS: 19.00 [.749]	08-Dec-14	2814	MD/BCG



SCALE 3.000



CUSTOMER OUTLINE DRAWING

ALL OTHER SHEETS ARE FOR INTERNAL USE ONLY

UNLESS OTHERWISE SPECIFIED, DIMENSIONS ARE IN METRIC AND TOLERANCES ARE:
 <0.5mm ±0.05mm 0.5 - 6mm ±0.1mm 6 - 30mm ±0.2mm 30 - 120mm ±0.3mm ANGLES ±1°

NOTICE - These drawings, specifications, or other data (1) are, and remain the property of Amphenol corp. (2) must be returned upon request; and (3) are confidential and not to be disclosed to any person other than those to whom they are given by Amphenol Corp. the furnishing of these drawings, specifications, or other data by Amphenol Corp., or to any other person to anyone for any purpose is not to be regarded by implication or otherwise in any manner licensing, granting rights to permitting such holder or any other person to manufacture, use or sell any product, process or design, patented or otherwise, that may in any way be related to or disclosed by said drawings, specifications, or other data.

MATERIAL	DRAWN M. DONG	DATE 17-Oct-14	TITLE SMB PLUG TO SMC JACK ADAPTOR		Amphenol RF www.amphenolrf.com	
REFERENCE ARFA PN:SMBF-SMCM1-3GT30G-50	ENGINEER S. DUAN	DATE 17-Oct-14				
CONFIGURATION LEVEL: In Work	APPROVED B.C. GLEISSNER	DATE 08-Dec-14	SCALE: 12.0:1.0	SHEET 3 OF 3	DRAWING NO.	ITEM NO.
FINISH	CAD FILE	DWG SIZE B	REV B	PART NO. 242202		

Mouser Electronics

Authorized Distributor

Click to View Pricing, Inventory, Delivery & Lifecycle Information:

[Amphenol:](#)

[242202](#)