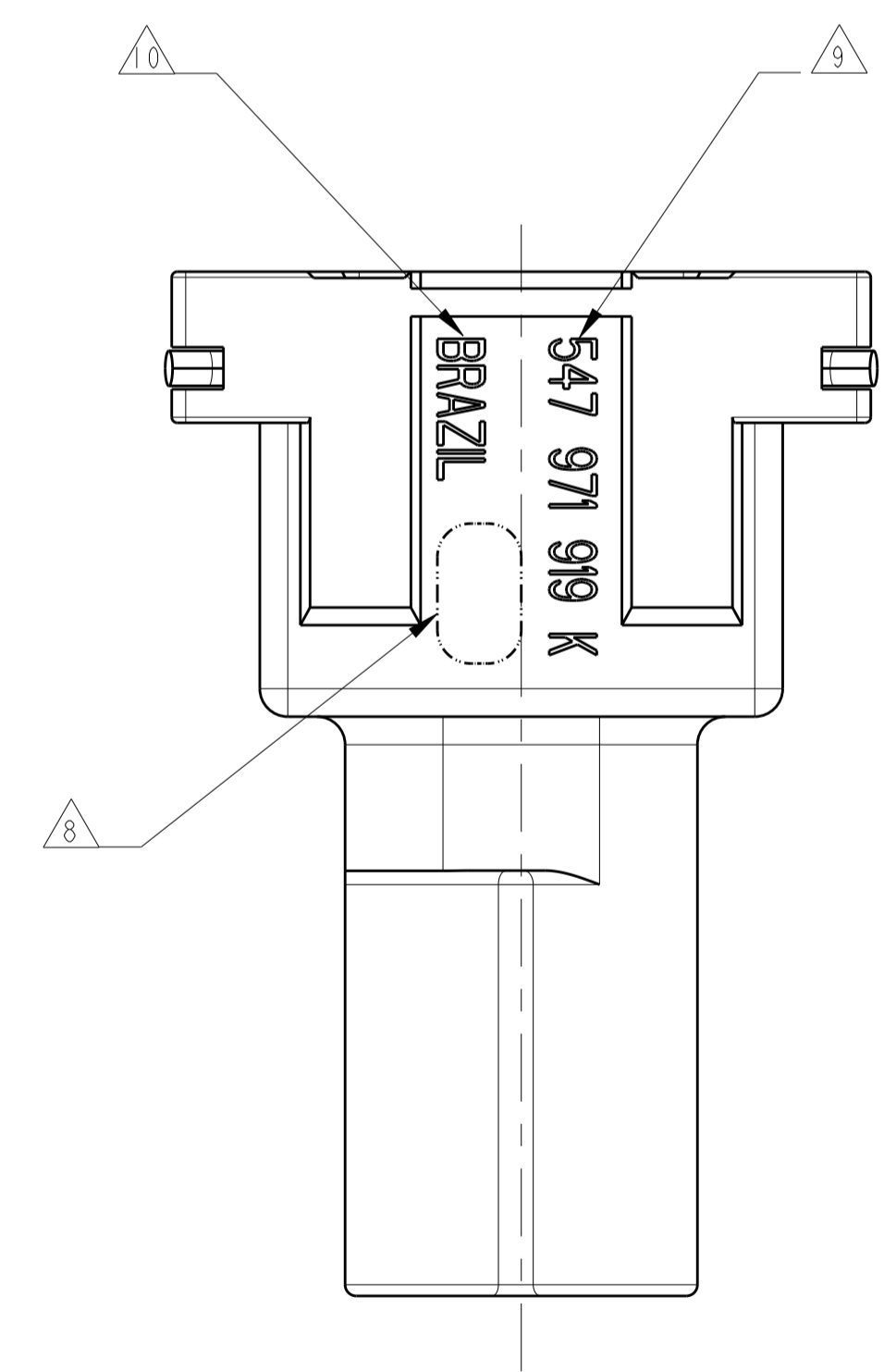
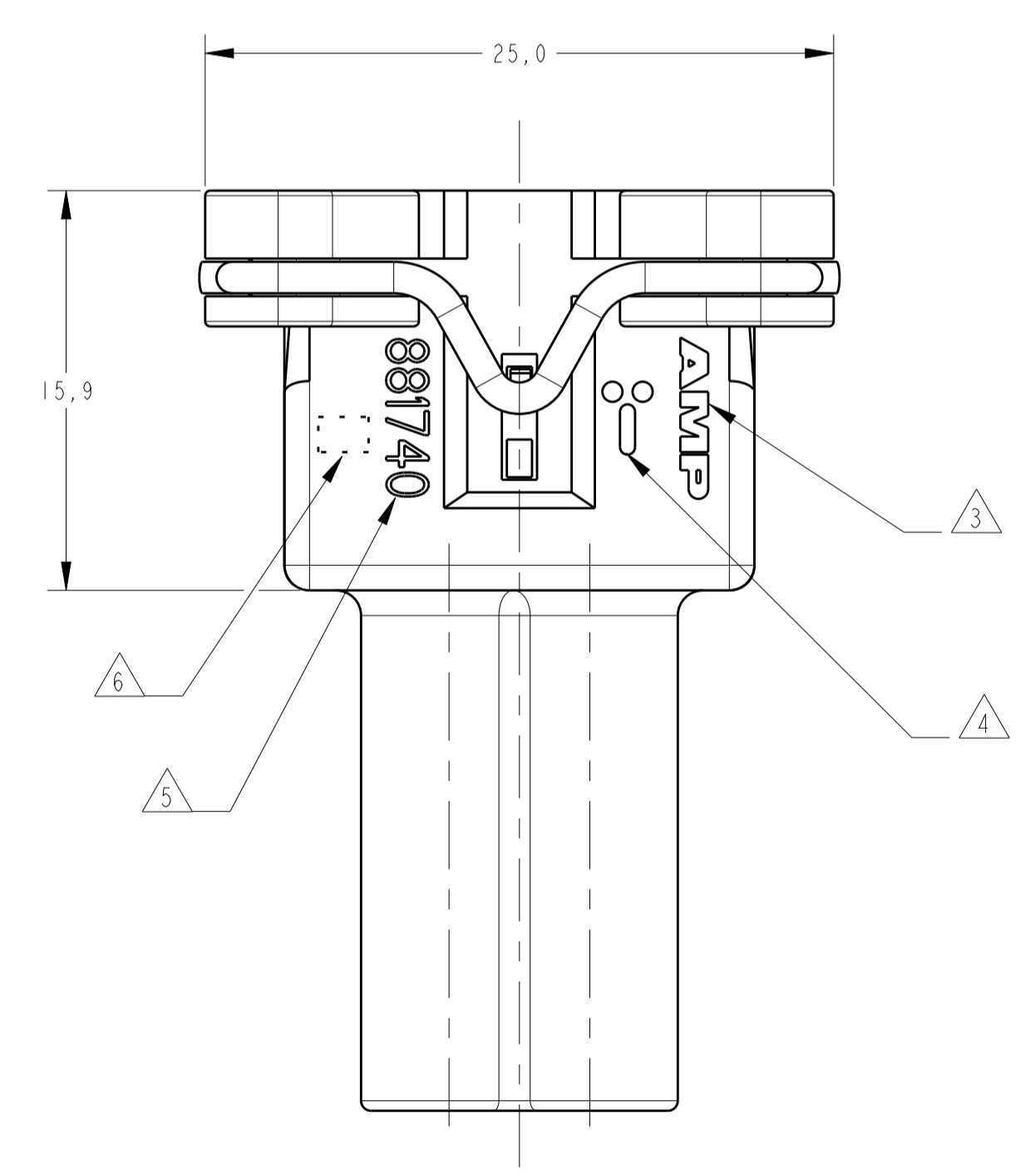
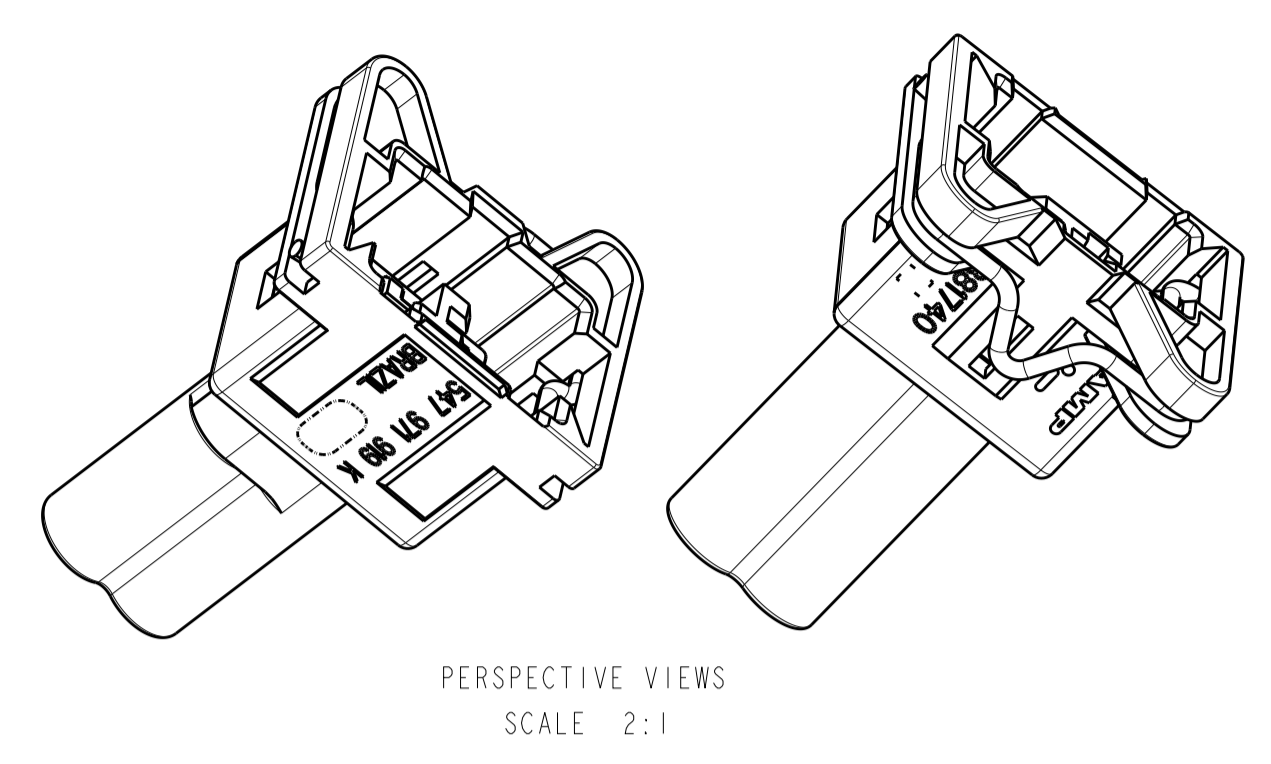
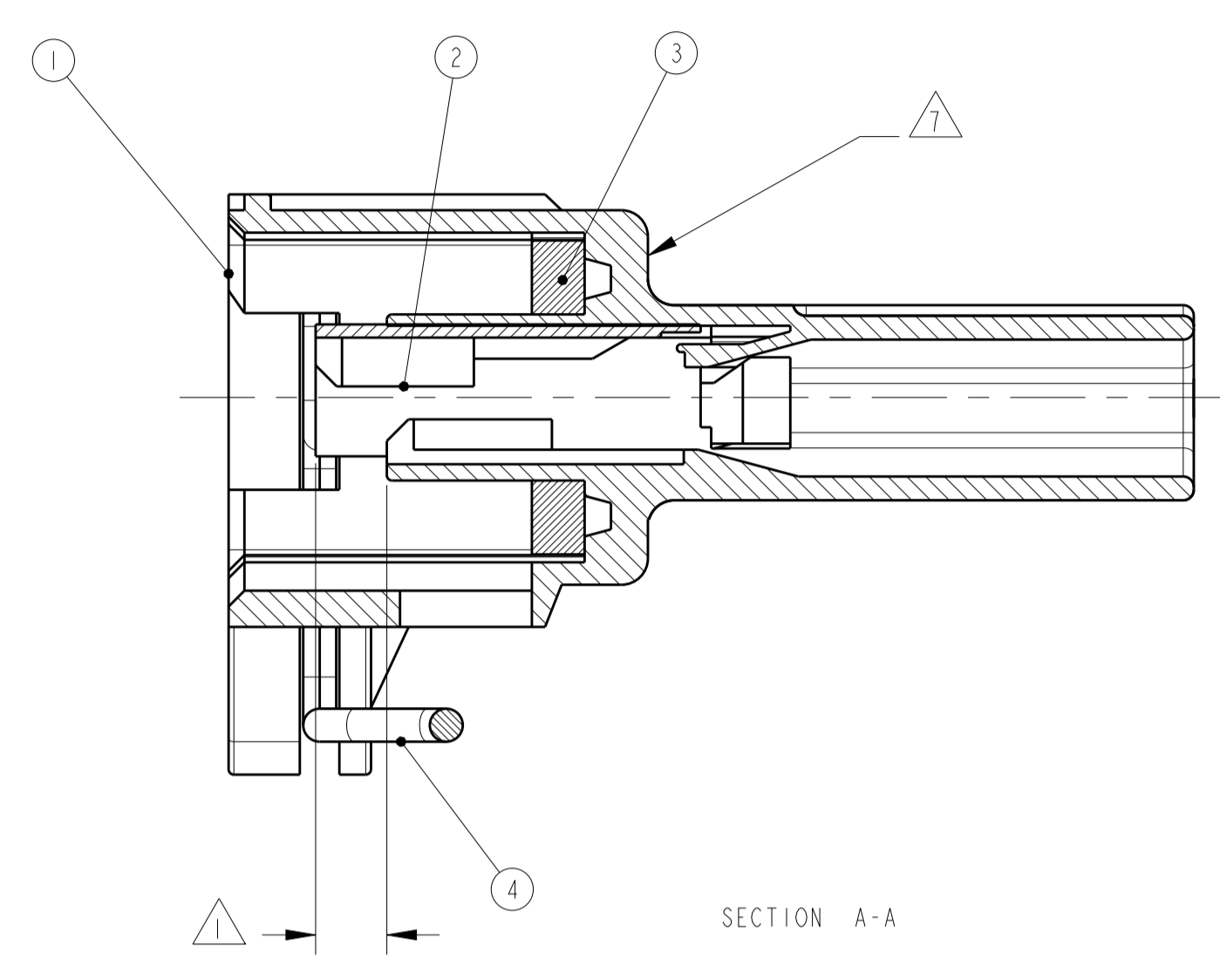
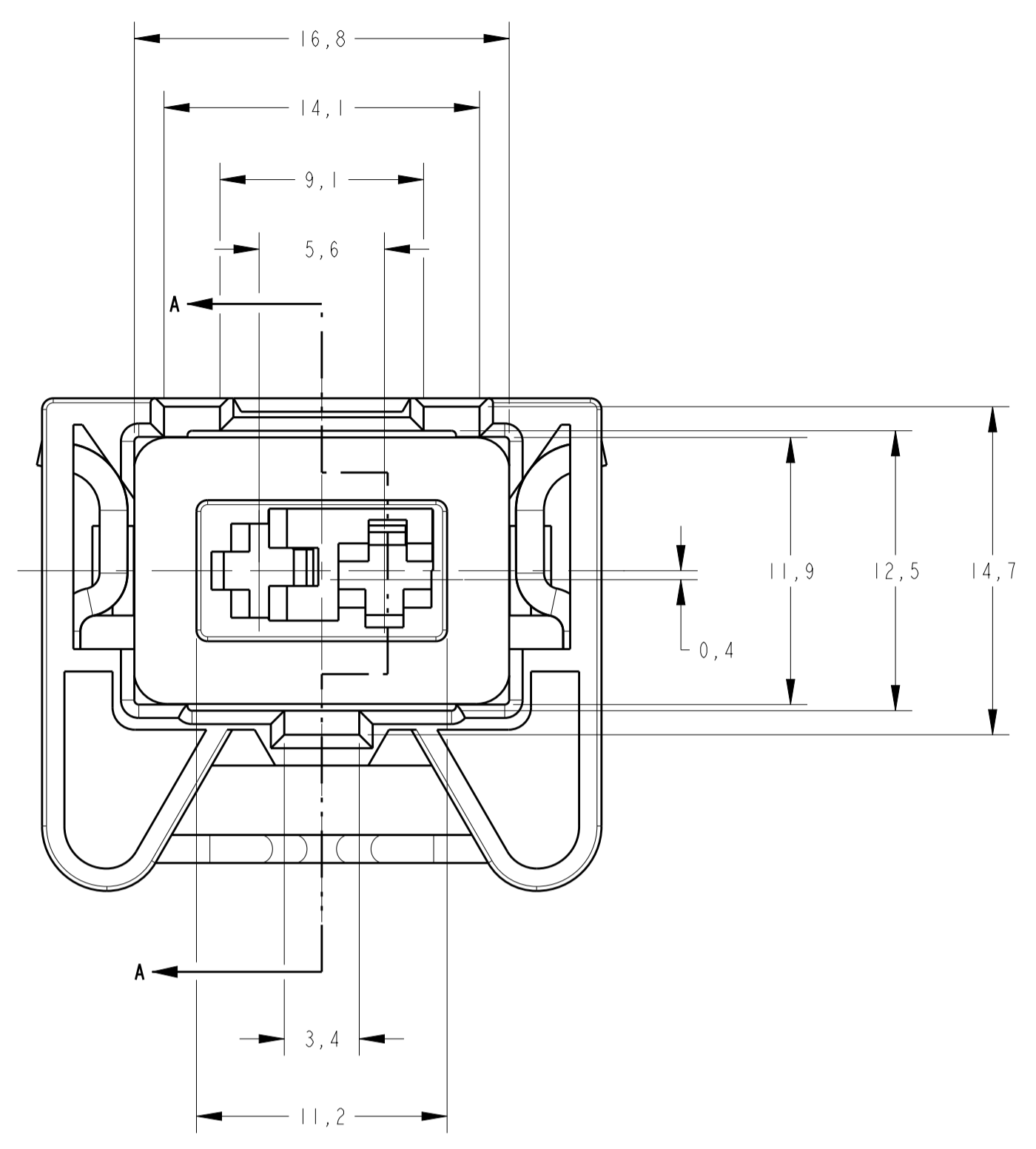


creo  
 Creo Parametric 3.0  
 DO NOT REVISE  
 EXCEPT BY CAD

REVISIONS					
P.	LTN	DESCRIPTION	DATE	DMN	APVD
	D2	REDRAW BY CAD	ECO-16-005873	20APR2016	NCL GOJ



GRAVAÇÕES MARKINGS	
LOGOTIPO AMP AMP LOGO	3
CÓDIGO PAÍS PRODUTOR MANUFACTURER COUNTRY CODE	4
NÚMERO COMPONENTE TE TE COMPONENT NUMBER	5
NÚMERO CAVIDADE CAVITY NUMBER	6
IDENTIFICAÇÃO CIRCUITO CIRCUIT IDENTIFICATION	7
LOGOTIPO CLIENTE CUSTOMER LOGO	8
NÚMERO PEÇA CLIENTE CUSTOMER PART NUMBER	9
PAÍS PRODUTOR MANUFACTURER COUNTRY	10

△ OS ITENS 1 e 2 DEVERÃO RESPEITAR A POSIÇÃO DE PRÉ-MONTAGEM COMO SERÃO FORNECIDOS  
 - THE ITENS 1 AND 2 MUST BE RESPECT THE PRE ASSEMBLY POSITION HOW WILL BE SUPPLIED

2 - CAVIDADE PARA TERMINAL JUNIOR POWER TIMER E JUNIOR TIMER COM WIRE SEAL  
 - CAVITY FOR TERMINAL JUNIOR POWER TIMER AND JUNIOR TIMER WITH WIRE SEAL

	1	4	SPRING	ARAME / WIRE DIN Ø1,25	-
	1	3	RUBBER SEAL	SILICONE / SILICON	LARANJA / ORANGE
	1	2	SPACER 2 POSN., 90 DEGRESS JPT	PBT	AMARELO / YELLOW
	1	1	HOUSING 2 POSN., 90 DEGRESS JPT	PBT+30XFV	PRETO / BLACK
REQ. PER ASSY					
881739	-1	ITEM	DESCRIPTION	MATERIAL	FINISH
THIS DRAWING IS A CONTROLLED DOCUMENT.			DMN: INCLAPRESA 20APR2016	TE Connectivity	
TOLERANCES UNLESS OTHERWISE SPECIFIED:			CHK: FFORTUNATO 20APR2016		
DIMENSIONS:	mm		APVD: GO JUNIOR 20APR2016	NAME: HOUSING ASSY., 2 POSN., JUNIOR POWER TIMER	
0 PLC	±		PRODUCT SPEC	-	
1 PLC	±0,3		APPLICATION SPEC	-	
2 PLC	±		SIZE	CAGE CODE	DRAWING NO
3 PLC	±		RESTRICTED TO	A1	-
4 PLC	±		WEIGHT	-	©=881739
ANGLES	±	°	CUSTOMER DRAWING	SCALE	3:1
FINISH	±	µm		SHEET	1 OF 1
MATERIAL	SEE TABLE			REV	D2

# Mouser Electronics

Authorized Distributor

Click to View Pricing, Inventory, Delivery & Lifecycle Information:

[TE Connectivity:](#)

[881739-1](#)