

Max. 237 m<sup>3</sup>/h

# DC axial fans

□ 119 x 38 mm



- **Material:** Housing: Die-cast aluminum  
Impeller: GRP<sup>1)</sup> (PA)
- **Direction of air flow:** Intake over struts
- **Direction of rotation:** Clockwise, looking towards rotor
- **Connection:** On flat connectors, 2.8 x 0.5 mm  
Also available with wires as an option
- **Highlights:** Housing with grounding lug for screw M4 x 8 (Torx)
- **Weight:** 390 g
- **Possible special versions:** (See chapter DC fans - specials)
  - Speed signal
  - Go / NoGo alarm
  - Alarm with speed limit
  - External temperature sensor
  - Internal temperature sensor
  - PWM control input
  - Analog control input
  - Moisture protection
  - Salt spray protection
  - Degree of protection: IP 54 / IP 68

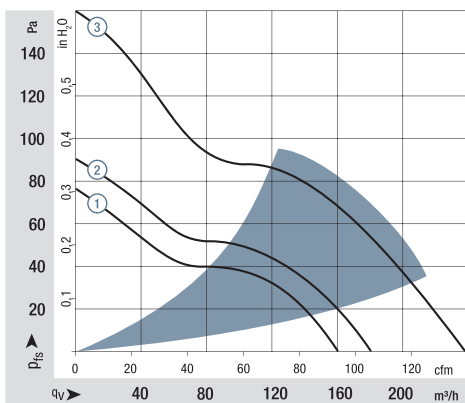
1) Fiberglass-reinforced plastic

Series 4100 N

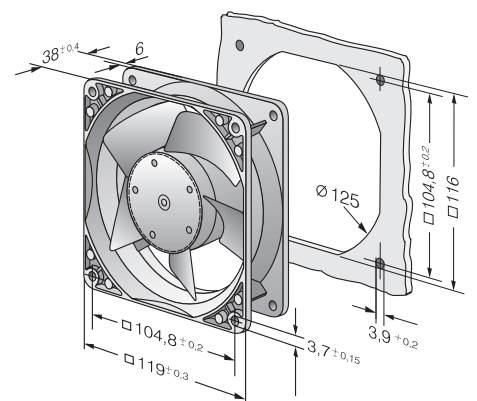
Nominal data

Type	Air flow		Nominal voltage	Voltage range	Sound pressure level	Sound power level	Sintec sleeve bearings Ball bearings	Power consumption	Nominal speed	Temperature range	Service life L <sub>10</sub> (40 °C) ebm-papst standard	Service life L <sub>10</sub> (T <sub>max</sub> ) ebm-papst standard	Life expectancy L <sub>10</sub> IPC (40 °C) see page 17	Curve
	m <sup>3</sup> /h	cfm												
4182 NGX	160	94	12	6...15	44	5.3	□	3.7	2 800	-20...+75	85 000 / 37 500	142 500	142 500	①
4182 NX	180	106	12	6...15	49	5.7	■	4.9	3 200	-30...+75	85 000 / 37 500	142 500	142 500	②
4182 NXH	237	140	12	7...14	57	6.5	■	11.0	4 400	-30...+55	70 000 / 50 000	117 500	117 500	③
4184 NGX	160	94	24	12...31.5	44	5.3	□	3.3	2 800	-20...+75	85 000 / 37 500	142 500	142 500	①
4184 NXM	160	94	24	12...31.5	44	5.3	■	3.2	2 800	-30...+75	85 000 / 37 500	142 500	142 500	①
4184 NX	180	106	24	12...31.5	49	5.7	■	4.9	3 200	-30...+70	85 000 / 42 500	142 500	142 500	②
4184 NXH	237	140	24	12...28	57	6.5	■	11.0	4 400	-30...+70	70 000 / 35 000	117 500	117 500	③
4188 NGX	160	94	48	36...60	44	5.3	□	3.6	2 800	-20...+75	85 000 / 37 500	142 500	142 500	①
4188 NXM	160	94	48	36...60	44	5.3	■	3.5	2 800	-30...+75	85 000 / 37 500	142 500	142 500	①

Subject to change



Air performance measured according to: ISO 5801.  
Installation category A, without contact protection.  
Noise: Total sound power level L<sub>WA</sub> ISO 103002 measured on a hemisphere with a radius of 2 m.  
Sound pressure level L<sub>PA</sub> measured at 1 m distance from fan axis.  
The values given are applicable only under the specified measuring conditions and may differ depending on the installation conditions.  
In the event of deviation from the standard configuration, the parameters must be checked after installation!  
For detailed information see <http://www.ebmpapst.com/general conditions>



# Mouser Electronics

Authorized Distributor

Click to View Pricing, Inventory, Delivery & Lifecycle Information:

[ebm-papst:](#)

[4182NX](#) [4184NXH](#) [4184NX](#) [4118N/2HH-00187](#) [4182NGX](#) [4182NXH](#) [4184NGX](#) [4188NXM](#) [4114N](#) [4114N/2X](#)  
[4114N/2XH](#) [4118N/2H6P-269](#) [4184N/2X](#) [4182NXU](#) [4184NXM](#) [4184N/2XH](#) [4184NMCR](#) [4182NG](#) [4184NH](#)  
[4184NXHU](#)