

4 3 2 1

THIS DRAWING IS UNPUBLISHED. RELEASED FOR PUBLICATION 20
 © COPYRIGHT 20 BY - ALL RIGHTS RESERVED.

REVISIONS				DATE	DWN	APVD
P	LTR	DESCRIPTION	DATE	DWN	APVD	
-	-	REVISED PER ECR-15-007373	31 JUL 2015	RS	DD	

⚠ MATERIALS AND FINISH:
 -HOUSING: PBT-GF, COLOR: NATURAL
 -CONTACTS: COPPER ALLOY
 FINISH: SEE TABLE
 -THERMAL SPRING: STAINLESS STEEL

2. MUST COMPLY WITH DIRECTIVE 2002/95/EC (ROHS)

⚠ 3. REFER TO LED MANUFACTURER'S DATASHEET FOR LED DIMENSIONS

4. REFER TO LED DATASHEET FOR RECOMMENDED THERMAL INTERFACE MATERIALS

5. RECOMMENDED SCREW SIZE: M3 OR #4.
 TORQUE SCREWS TO 2.5 in-lbf TO 4.0 in-lbf

6. WIRE TYPES AND SIZES ACCEPTED
 18, 20 AND 22 AWG SOLID WIRE
 18 AND 20 AWG PREBOND STRANDED WIRE
 18 AWG STRANDED WIRE (16 STRAND COUNT)
 MAX INSULATION OD: 2.10 MM
 STRIP LENGTH: 8.0±1.0

⚠ 7. IN APPLICATIONS WHERE THE LED SUBSTRATE IS LESS THAN 1.50MM THICK A THERMAL SPRING IS REQUIRED. AS NOTED IN THE TABLE THE THERMAL SPRINGS WILL BE INSTALLED PRIOR TO SHIPMENT FROM THE TE FACTORY.

CITIZEN CLL050/052	YES	38.30	38.30	2.26	2.00	GOLD OVER NICKEL	6-2154874-4
CITIZEN CLL040/042	YES	28.30	28.30	2.26	2.00	GOLD OVER NICKEL	6-2154874-3
CITIZEN CLL030/032 EDISON-OPTO 2PHM30X	YES	19.30	19.30	1.85	1.55	GOLD OVER NICKEL	6-2154874-2
CITIZEN CLL020/022 EDISON-OPTO 2PHM09X	YES	13.80	13.80	1.85	1.55	GOLD OVER NICKEL	6-2154874-1
CREE CXA25XX	YES	24.15	24.15	2.26	2.00	GOLD OVER NICKEL	5-2154874-3
CREE CXA15XX	YES	16.15	16.15	2.26	2.00	GOLD OVER NICKEL	5-2154874-2
CREE CXA2011	NO	22.30	22.30	3.75	2.95	TIN OVER NICKEL	5-2154874-1
BRIDGELUX ES	NO	25.45	22.45	2.26	2.00	TIN OVER NICKEL	3-2154874-2
LED MFG AND MODEL	⚠ THERMAL SPRING	DIM H	DIM G	DIM B	DIM A	CONTACT PLATING	PART NUMBER

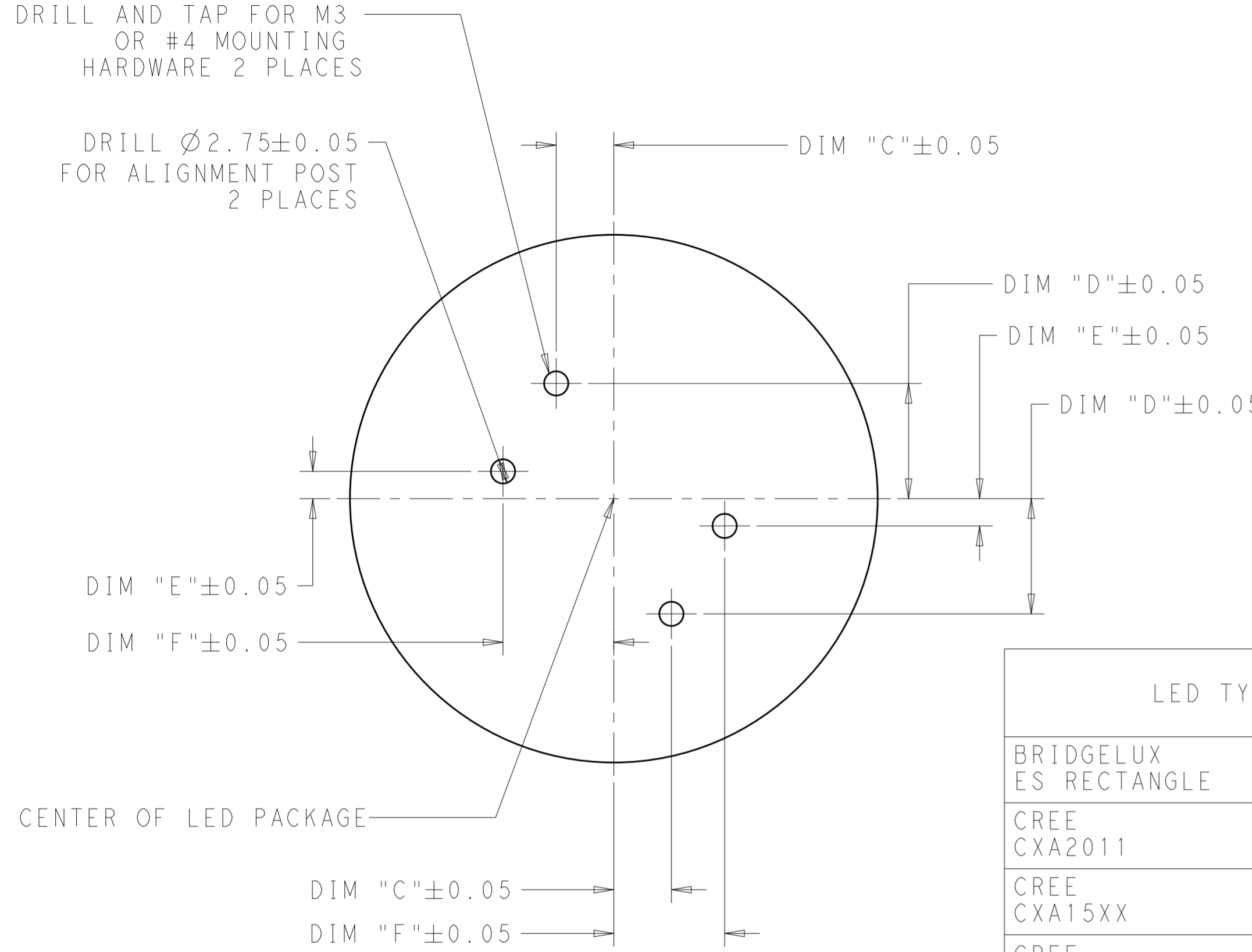
THIS DRAWING IS A CONTROLLED DOCUMENT.

DIMENSIONS: mm	TOLERANCES UNLESS OTHERWISE SPECIFIED:	DWN: 22MAR2012 M. MOSTOLLER	CHK: 22MAR2012 M. MOSTOLLER	APVD: 22MAR2012
0 PLC ±0.2	1 PLC ±0.13	PRODUCT SPEC: 108-133005	APPLICATION SPEC: 114-32043	WEIGHT: -
2 PLC ±0.13	3 PLC ±0.13	SIZE: A2	CAGE CODE: 00779	DRAWING NO: C-2154874
4 PLC ±0.13	ANGLES: ±	SCALE: 3:1	SHEET: 1	OF: 2
MATERIAL: -	FINISH: -	Customer Drawing	REV: A	

STE TE Connectivity
 ONE PIECE ASSEMBLY
 LUMAWISE LED HOLDER, SCALABLE

1471-9 (3/11)


REVISIONS						
LOC	DIST	P	LTR	DESCRIPTION	DATE	APVD
-	-	-	-	SEE SHEET 1	-	-



LED TYPE	LED DIMENSION △ ₃	DIM "C"	DIM "D"	DIM "E"	DIM "F"	RECOMMENDED SOCKET PART NUMBER
BRIDGELUX ES RECTANGLE	25.5 X 22.3	9.70	16.30	6.30	15.80	3-2154874-2
CREE CXA2011	22.0 X 22.0	8.05	16.15	6.15	14.15	5-2154874-1
CREE CXA15XX	15.85 X 15.85	4.98	13.08	3.08	11.08	5-2154874-2
CREE CXA25XX	23.85 X 23.85	8.98	17.08	7.08	15.08	5-2154874-3
CITIZEN CLL020/022 SERIES EDISON-OPTO 2PHM09X	13.5 X 13.5	3.80	11.90	1.90	9.90	6-2154874-1
CITIZEN CLL030/032 SERIES EDISON-OPTO 2PHM30X	19.0 X 19.0	6.55	14.65	4.65	12.65	6-2154874-2
CITIZEN CLL040/042 SERIES	28.0 X 28.0	11.05	19.15	9.15	17.15	6-2154874-3
CITIZEN CLL050/052 SERIES	38.0 X 38.0	16.05	24.15	14.15	22.15	6-2154874-4

RECOMMENDED MOUNTING HOLE PATTERN

*** OTHER LED MODELS POSSIBLE AND REVIEWED UPON REQUEST ***

THIS DRAWING IS A CONTROLLED DOCUMENT.		DWN 22MAR2012 M. MOSTOLLER	 TE Connectivity	
DIMENSIONS: mm		CHK 22MAR2012 M. MOSTOLLER		
TOLERANCES UNLESS OTHERWISE SPECIFIED:		APVD 22MAR2012	NAME	
0 PLC ±	1 PLC ±0.2	PRODUCT SPEC		
2 PLC ±0.13	3 PLC ±	108-133005		
4 PLC ±	ANGLES ±	APPLICATION SPEC		
FINISH	FINISH	114-32043		
MATERIAL		WEIGHT	RESTRICTED TO	
-		-	-	
Customer Drawing		SCALE 3:1	SHEET 2 OF 2	REV A

Mouser Electronics

Authorized Distributor

Click to View Pricing, Inventory, Delivery & Lifecycle Information:

[TE Connectivity:](#)

[6-2154874-3](#)