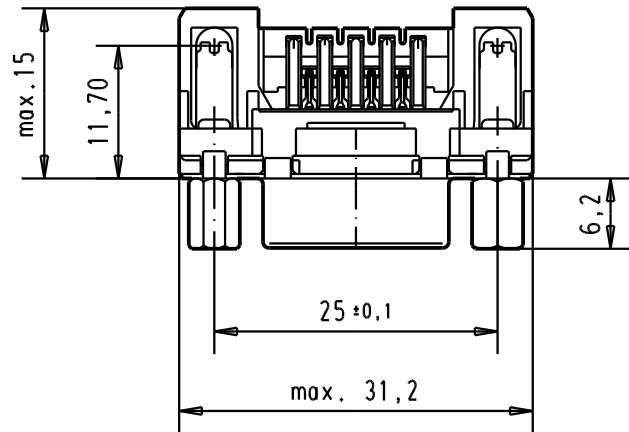
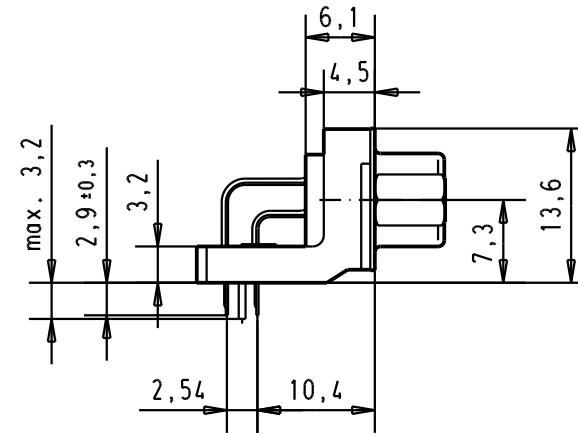
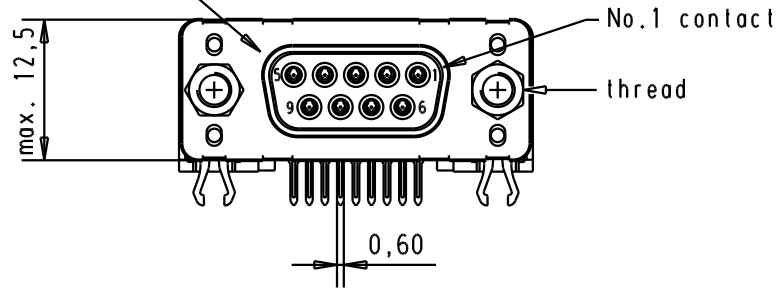
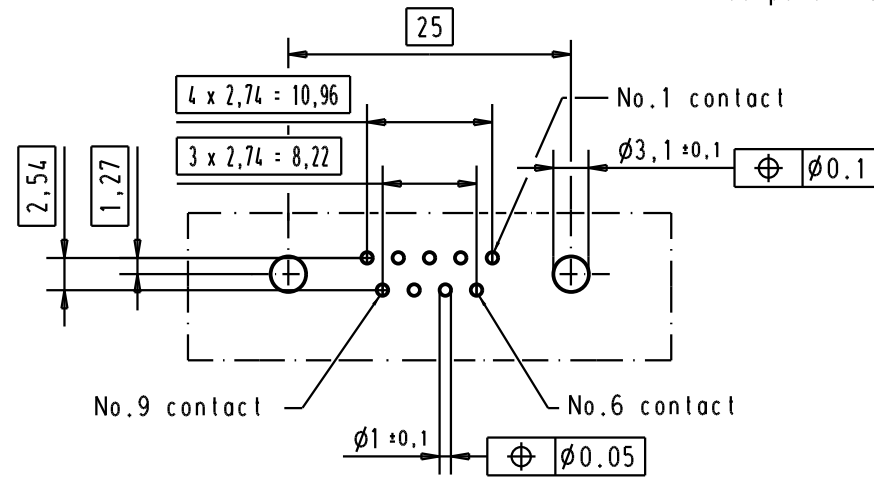




Mating face according to : MIL-C-24308 / DIN 41652 / CECC 75301-802



PCB layout hole component side



Connector retention and insertion forces on the PCB = 25 / 80 newtons

A	Part number		Screw lock thread		Performance level		Mod.		Dat.		Name			D-Sub 09 poles standard angle female, solder pin with screw lock and grounding board lock.	Maßstab/ Scale 1.5:1
	09 66 152 3633	M3	1												
	09 66 152 6633	M3	2						Detail.	04/SEP/02	YH				
	09 66 152 7633	M3	3						Insp.						
	09 66 152 3613	4-40 UNC	1						Stand.						
	09 66 152 6613	4-40 UNC	2	31892	05/05/04	JH			HARTING EURL				TB 0966152x6x3	Blatt/ Page 1 / 1	
	09 66 152 7613	4-40 UNC	3	31084	04/SEP/02	YT			F-95972 Paris						
	Part number	Screw lock thread	Performance level	Mod.	Dat.	Name							Sub.		

Mouser Electronics

Authorized Distributor

Click to View Pricing, Inventory, Delivery & Lifecycle Information:

[HARTING:](#)

[09661527613](#) [09661526613](#)