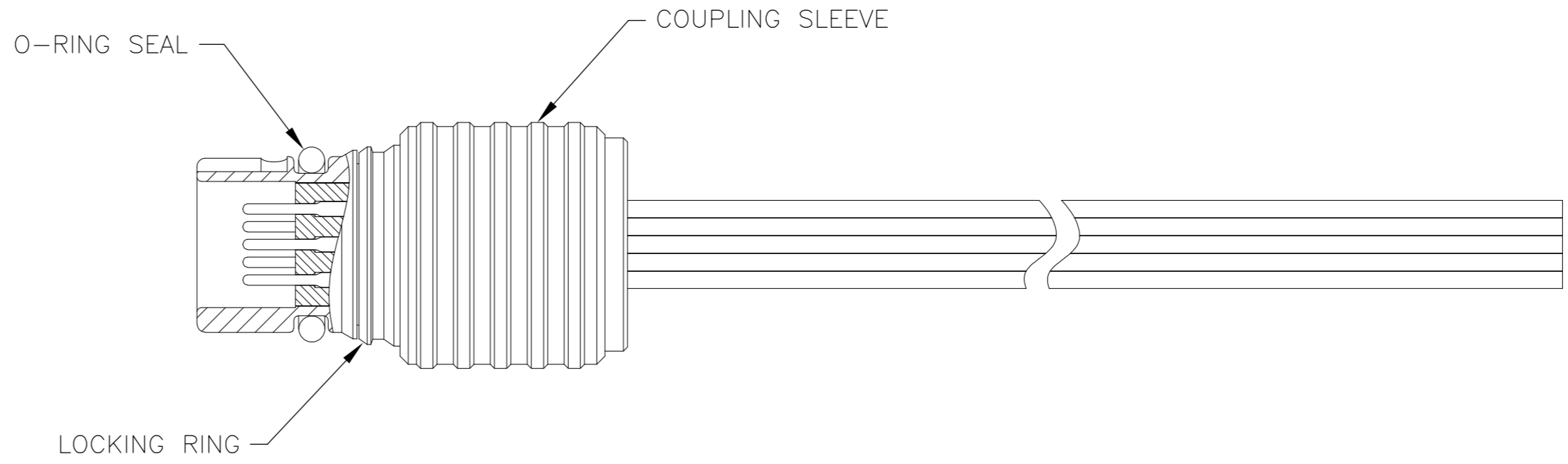
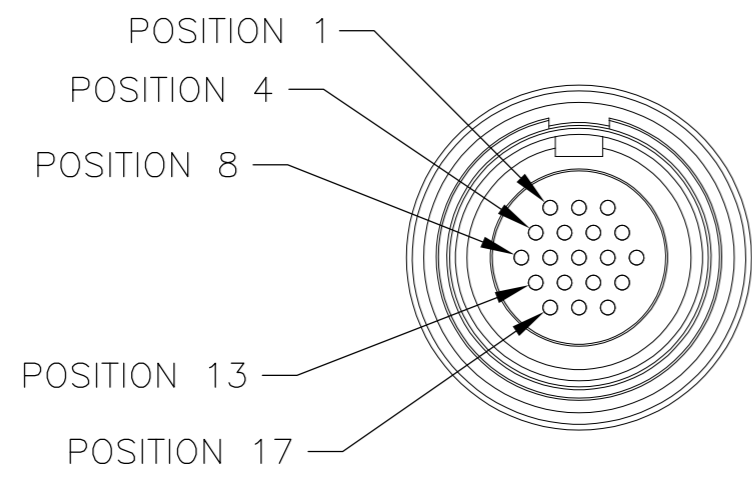
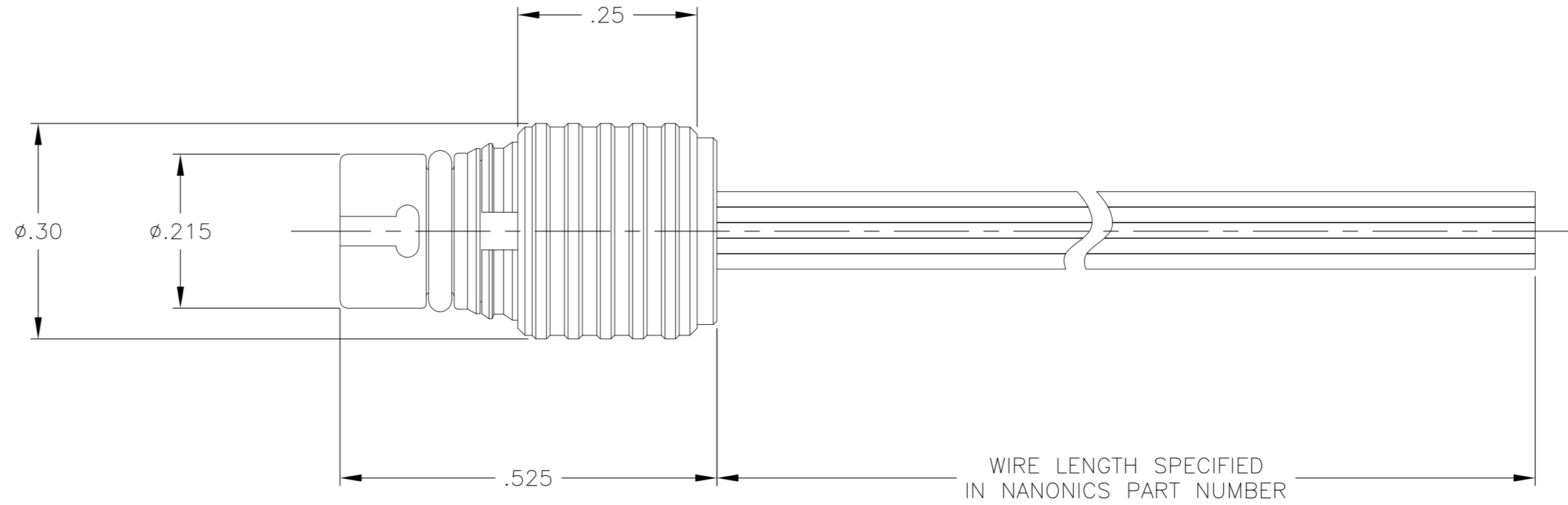
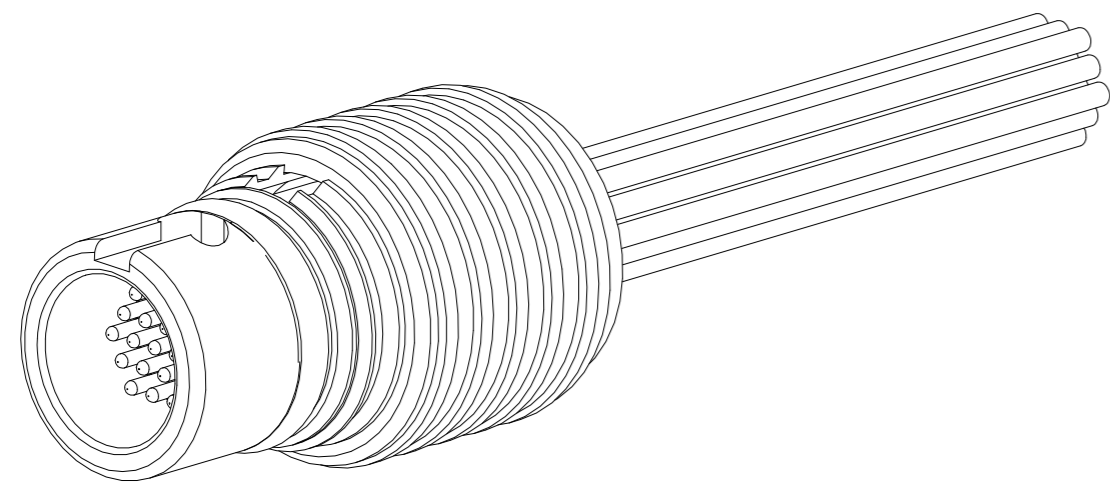


THIS DRAWING IS UNPUBLISHED. RELEASED FOR PUBLICATION  
 © COPYRIGHT - By - ALL RIGHTS RESERVED.

LOC		DIST		REVISIONS			
P	LTR	DESCRIPTION		DATE	DWN	APVD	
	G	UPDATE PER ECO-11-013056		23 JUN 11	CAS	MKS	



1 CONNECTOR BODY AND COUPLING SLEEVE MATERIAL: 6061-T6 ALUMINUM, ELECTROLESS NICKEL PLATED PER SAE-AMS-C-26074 OR SAE-AMS-2404E  
 LOCKING RING MATERIAL: BERYLLIUM COPPER, ELECTROLESS NICKEL PLATED PER SAE-AMS-C-26074 OR SAE-AMS-2404E  
 INSULATOR MATERIAL: LIQUID CRYSTAL POLYMER (LCP) PER ASTM D5138 OR POLYPHENYLENE SULFIDE (PPS) PER ASTM D4067  
 O-RING MATERIAL: FLUOROSILICONE

2 WIRE TERMINATION: 28 AWG SOLID, 30 AWG STRANDED WIRE OR SMALLER  
 3 LUBRICATE O-RING WITH PARKER SUPER-O-LUBE PRIOR TO INSTALLATION  
 4 THIS DRAWING ALSO IDENTIFIED AS NANONICS 303-0025

THIS DRAWING IS A CONTROLLED DOCUMENT.		DWN	M. STORRY	8 APR 99		TE Connectivity		
DIMENSIONS: INCHES		CHK	E. PAULUS	8 APR 99		PLUG ASSEMBLY, CIRCULAR, QUICK DISCONNECT, METAL, 19 POSITION		
		APVD	S. KAIN	26 JAN 00		SIZE	CAGE CODE	DRAWING NO
TOLERANCES UNLESS OTHERWISE SPECIFIED: 0 PLC ± - 1 PLC ± - 2 PLC ± .010 3 PLC ± .005 4 PLC ± - ANGLES ± 1°		PRODUCT SPEC	-			A2	0PJN9	C=1589057
MATERIAL SEE NOTES		FINISH	SEE NOTES		WEIGHT	-		
MATERIAL SEE NOTES		FINISH SEE NOTES		WEIGHT	-		RESTRICTED TO	
MATERIAL SEE NOTES		FINISH SEE NOTES		WEIGHT	-		SCALE 6:1 SHEET 1 OF 1 REV G	

# Mouser Electronics

Authorized Distributor

Click to View Pricing, Inventory, Delivery & Lifecycle Information:

[TE Connectivity:](#)

[QCM019PC2DC003](#)