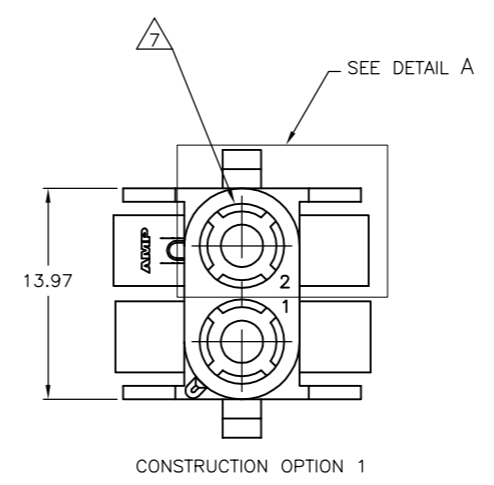
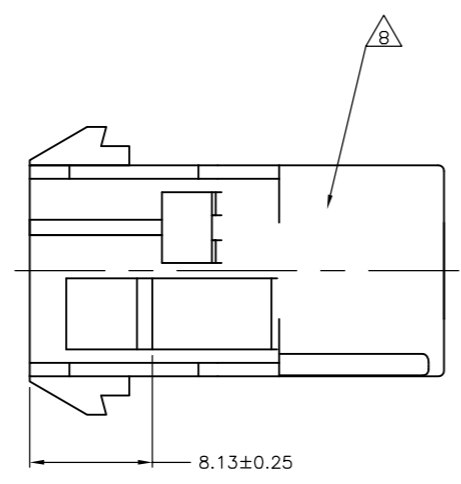
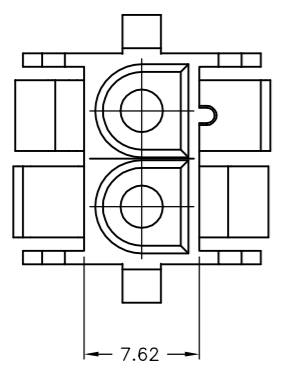
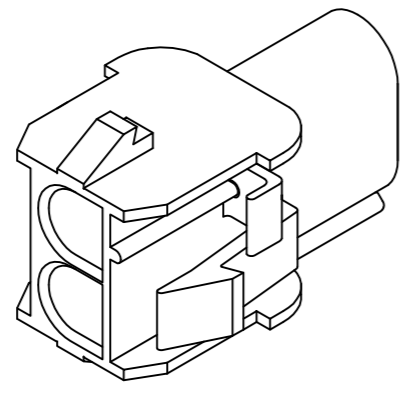
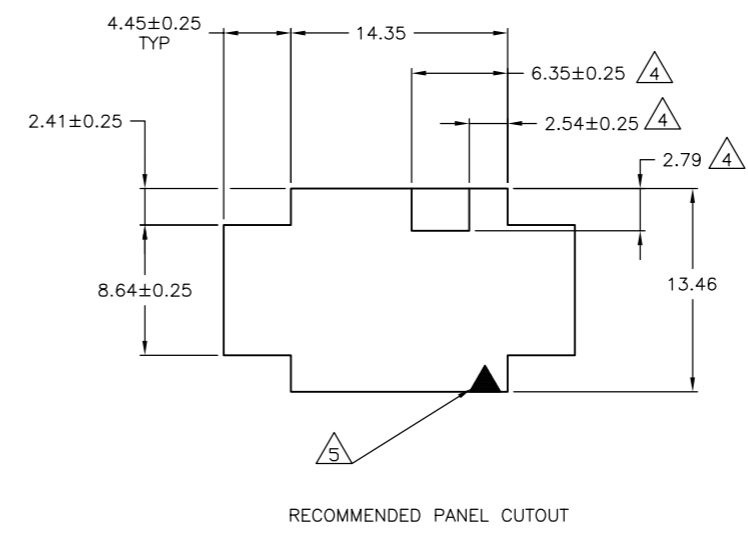
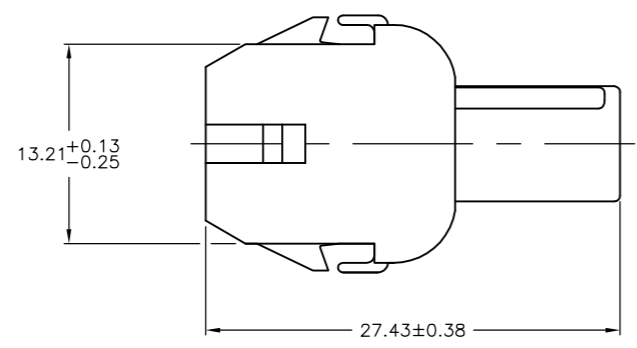
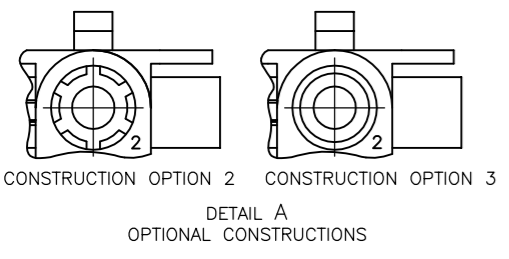


REVISIONS				
P	LTR	DESCRIPTION	DATE	DWN
AG8		REVISED ECR-17-018148	13DEC2017	SC BH



1. MATES WITH APPROPRIATE UNIVERSAL MATE-N-LOK™ PLUG.
2. RECOMMENDED PANEL THICKNESS 0.76 - 2.29.
3. PANEL MUST BE PUNCHED SO THAT THE HOUSING ENTERS THE PANEL IN THE SAME DIRECTION AS THE PUNCH.
4. OPTIONAL FOR KEYING HOUSING IN PANEL.
5. CIRCUIT NUMBER 1 LOCATION.
6. DIMENSIONS SHOWN REPRESENT PRODUCT IN DRY, AS MOLDED, CONDITION. ADDITIONAL 2% GROWTH DUE TO SUBSEQUENT MOISTURE ABSORPTION MAY OCCUR AND SHOULD BE ACCOUNTED FOR.
7. FOUR RIBS EQUALLY SPACED, NO SPECIFIC ORIENTATION. NO RIBS OR SIX RIBS EQUALLY SPACED, NO SPECIFIC ORIENTATION, OPTIONAL.
8. UNDERWRITERS RECOGNIZED COMPONENT LOGO AND CSA CERTIFICATION LOGO TO BE LOCATED ONCE EACH ON SIDE OF HOUSING.
9. OBSOLETE PARTS: OBSOLETE CIS STREAMLINING PER D.RENAUD/D.SINISI
10. CONSTRUCTION OPTION 1 ONLY ALLOWED CONSTRUCTION OPTIONS 2 AND 3 NOT PERMISSIBLE
11. PREPRODUCTION- FASR REQUIRED
12. MATERIAL: PA66, UL94 V-0, GWIT 775°C



MM	IN	MM	IN
4.45	.175	27.43	1.080
2.79	.110	14.35	.565
2.54	.100	13.97	.550
2.41	.095	13.46	.530
2.29	.090	13.21	.520
0.76	.030	8.64	.340
0.38	.015	8.13	.320
0.25	.010	7.62	.300
0.13	.005	6.35	.250
MM	IN	MM	IN

CONVERSION TABLE

Color	Part No.
NATURAL	3-480699-0
NATURAL	2-480699-0
BLACK	1-480699-9
GREY	1-480699-8
BLUE	1-480699-6
GREEN	1-480699-5
YELLOW	1-480699-4
ORANGE	1-480699-3
RED	1-480699-2
BROWN	1-480699-1
NATURAL	1-480699-0
COLOR	PART NO.

9. SUPERSEDED BY 1-480699-0
 10. OBSOLETE

THIS DRAWING IS A CONTROLLED DOCUMENT.

DW: K. WHITAKER 24JUL92
 CHK: R. SWING 24JUL92
 AP/CD: D. SELF 27JUL92

TE Connectivity

CAP.2 CIRCUIT, UNIVERSAL MATE-N-LOK (TM)

SIZE: A1 CAGE CODE: 00779 DRAWING NO: 480699

SCALE: 4:1 SHEET: 1 OF 1 REV: AG8