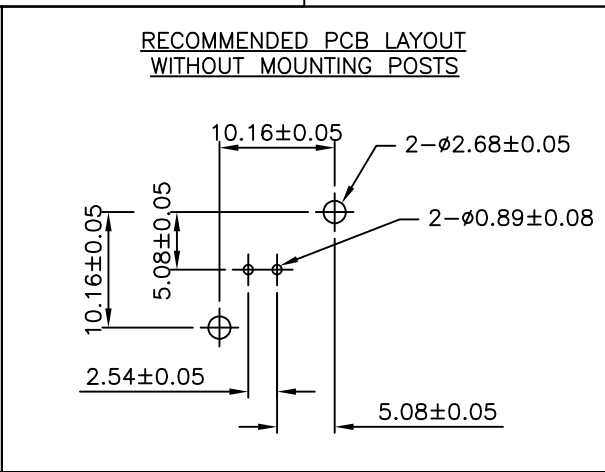
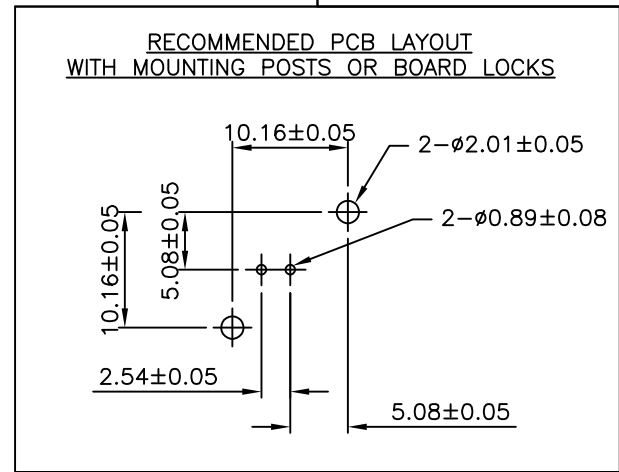
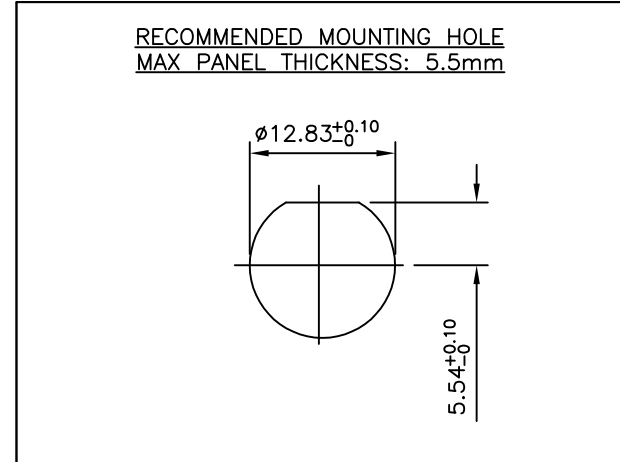
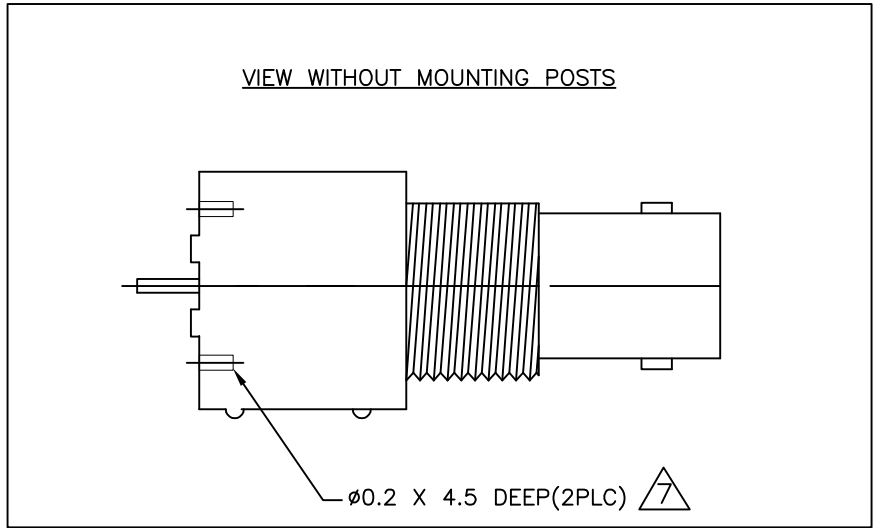
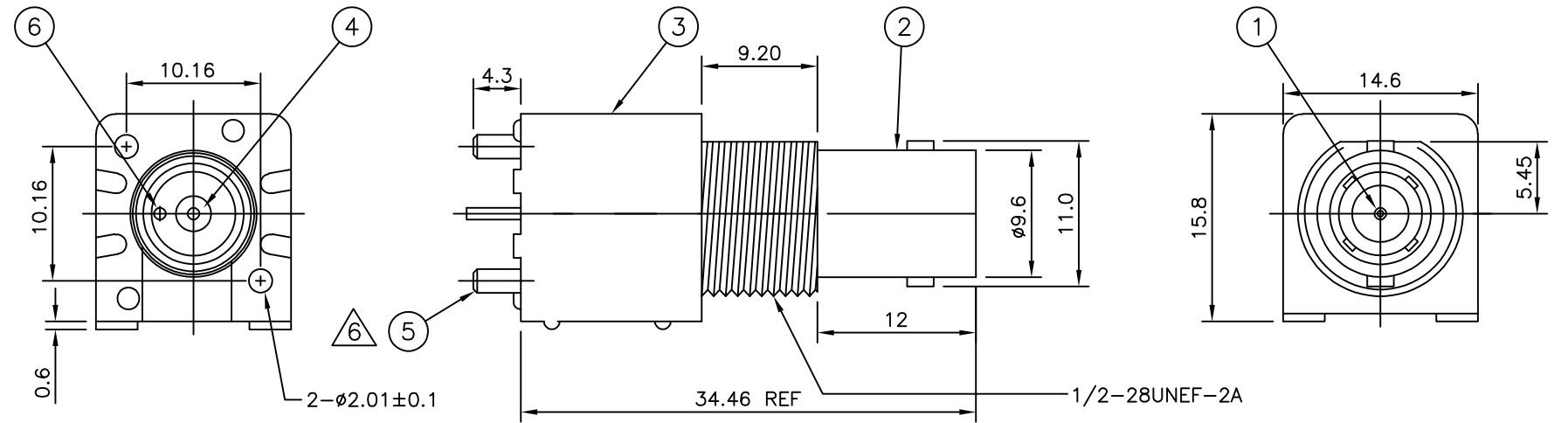


THIS DRAWING IS UNPUBLISHED. RELEASED FOR PUBLICATION JULY, 2005.
 © COPYRIGHT 2005 By - ALL RIGHTS RESERVED.

LOC	DIST	REVISIONS			
P	LTR	DESCRIPTION	DATE	DWN	APVD
E	B	B1	REVISED PER ECO-11-005033	01APR11	RK HMR
		C	REVISED PER ECO-12-010042	29MAY2012	TITAN MARTIN

- NOTES:**
- ① SINGLE PACK IN ACCORDANCE WITH AMP SPEC 107-3275
 - ② 50 TRAY PACK IN ACCORDANCE WITH AMP SPEC 107-3275
 - ③ Au PLATING OVER Ni PLATING OVER Cu PLATING
 - ④ Ni PLATING OVER Cu PLATING
 - ⑤ TIN PLATING
 - ⑥ MOUNTING POSTS ARE OPTIONAL SEE TABLE FOR PART NUMBERS
 - ⑦ RECOMMENDED SELF-TAPPING SCREW 221108-4
 - 8. RECOMMENDED MOUNT NUT 1-1634816-0
 - 9. RECOMMENDED LOCKWASHER 1-1634817-0
 - 10. FOR TECHNICAL DATA REFER TO YOUR LOCAL TE CONNECTIVITY SALES OFFICE
 - 11. ALL DIMENSIONS ARE NOMINAL FOR REFERENCE ONLY UNLESS OTHERWISE STATED



QTY	UNIT	QTY	UNIT	QTY	UNIT	QTY	UNIT	MATERIAL	DESCRIPTION	ITEM
1		1		1		1		BRASS	SOLDER TAIL	6
-		-		2		2		BRASS	MOUNTING POST	5
1		1		1		1		PE-606	INSULATOR	4
1		1		1		1		PBT BLACK	HOUSING	3
1		1		1		1		ZINC ALLOY	BODY	2
1		1		1		1		BRASS	CONTACT	1
6--1	②	1--1	①	6--0	②	1--0	①	MATERIAL	DESCRIPTION	ITEM

QUANTITY PER ASSY PARTS LIST

THIS DRAWING IS A CONTROLLED DOCUMENT.

DWN RITA ZUO 06 Mar 09
 CHK ANSON MA 06 Mar 09
 APVD BOB ZHAO 06 Mar 09

PRODUCT SPEC 108-112000
 APPLICATION SPEC

MATERIAL SEE TABLE FINISH SEE TABLE

WEIGHT -

CUSTOMER DRAWING

STE TE Connectivity
 BNC STRAIGHT INSULATED PCB SOCKET
 75 OHM BLACK

SIZE A3 CAGE CODE 00779 DRAWING NO C-1634629 RESTRICTED TO -

SCALE 1:1 SHEET 1 OF 1 REV C

Mouser Electronics

Authorized Distributor

Click to View Pricing, Inventory, Delivery & Lifecycle Information:

[TE Connectivity:](#)

[1-1634629-0](#)