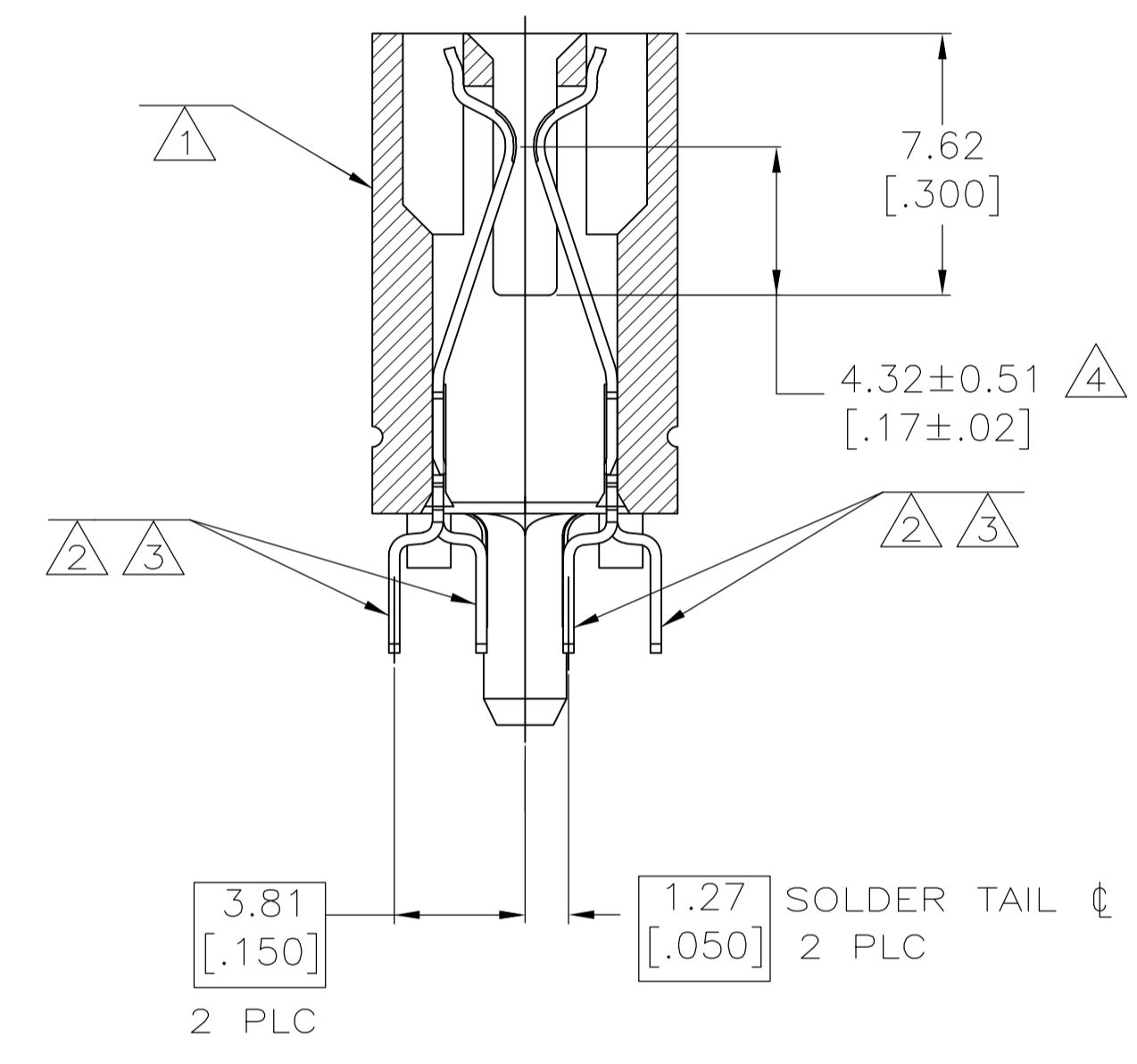
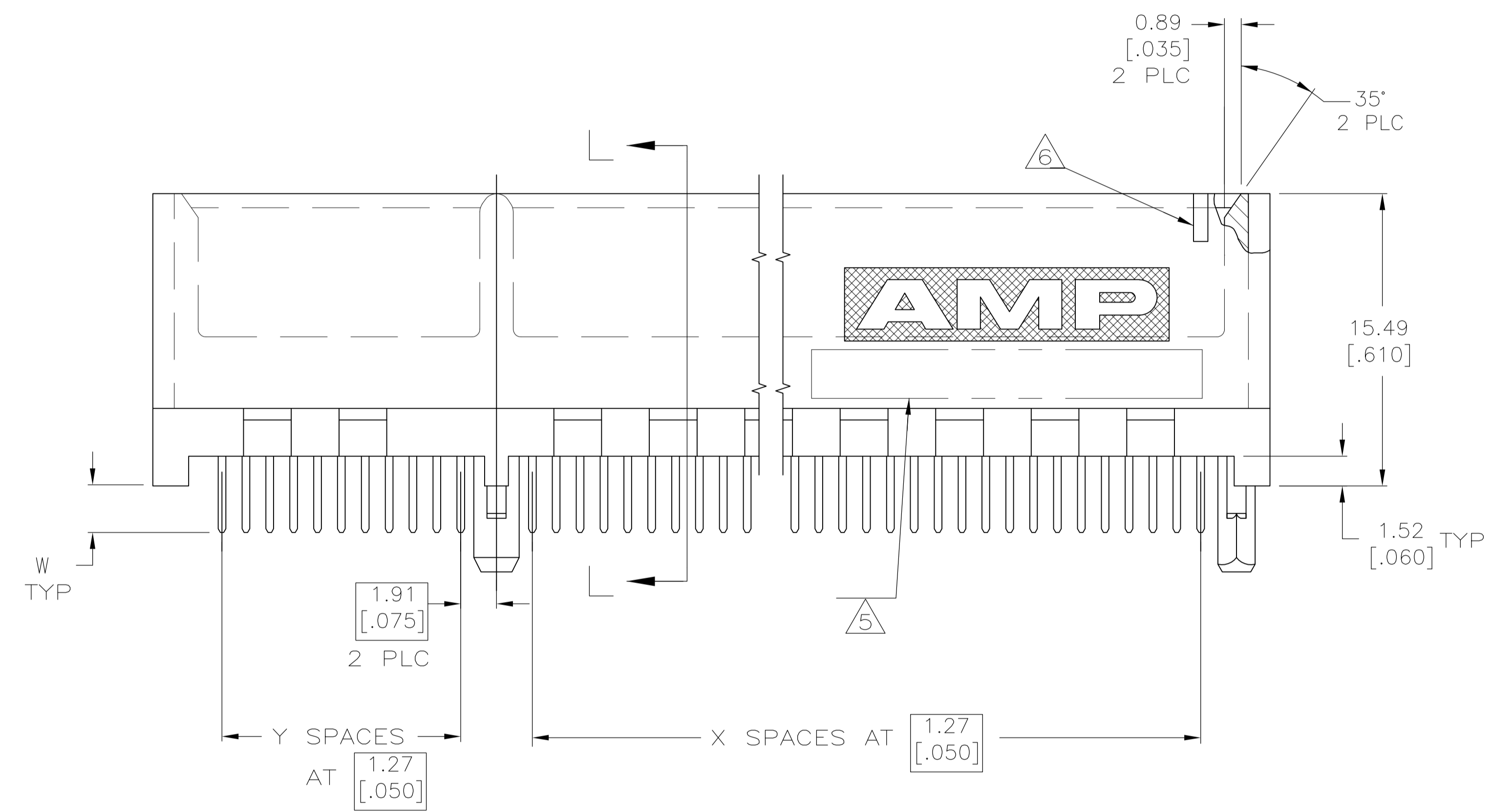
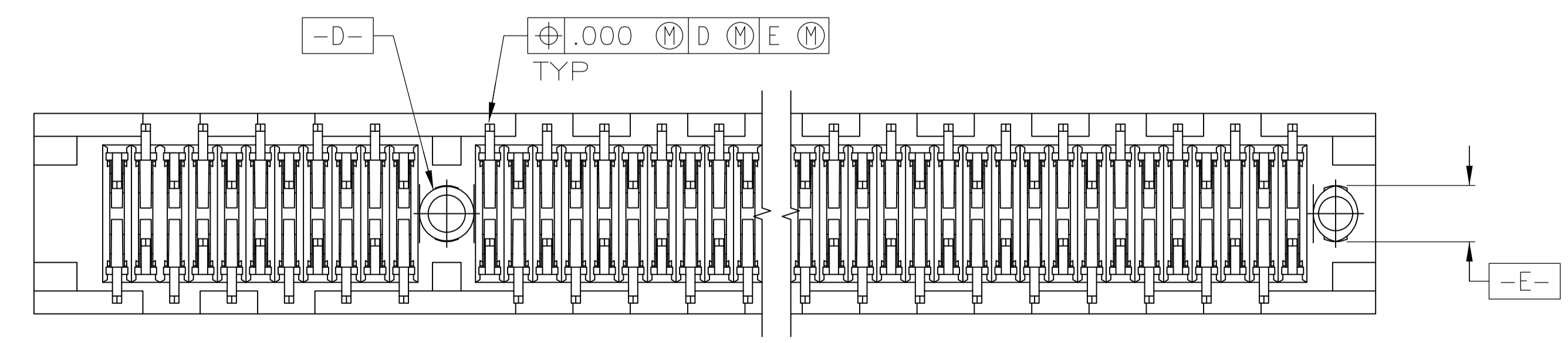


- ① HOUSING: HIGH TEMPERATURE THERMOPLASTIC. COLOR: BROWN.
- ② CONTACT: PHOSPHOR BRONZE.
- ③ CONTACT FINISH: .000100 MIN NICKEL ALL OVER. .000030 MIN GOLD OVER NICKEL IN CONTACT AREA. .000100 MIN MATTE TIN OVER NICKEL ON SOLDER TAILS.
- ④ DISTANCE FROM CONTACT POINT TO BOTTOM OF CARD SLOT.
- ⑤ AMP PART NUMBER, DATE CODE AND CSA LOGO MARKED IN APPROXIMATE AREA SHOWN.
- ⑥ PIN ONE IDENTIFIER NOTCH ONLY ON PART NUMBERS INDICATED.
- ⑦ OBSOLETE PARTS: OBSOLETE CIS STREAMLINING PER D.RENAUD/D.SINISI



SECTION L-L  
SCALE 8:1

⑦ OBSOLETE	3.18 [.125]	NO	B	45.72 [1.800]	44.70 [1.760]	65.79 [2.59]	15.49 [.610]	10	33	45	↑=5650090-4
	3.56 [.140]	NO	A	26.67 [1.050]	25.65 [1.010]	46.74 [1.84]	15.49 [.610]	10	18	30	1-5650090-2
⑦ OBSOLETE	3.56 [.140]	NO	C	55.88 [2.200]	54.86 [2.160]	110.24 [4.34]	49.78 [1.960]	37	41	80	↑=5650090-1
	2.54 [.100]	NO	C	55.88 [2.200]	54.86 [2.160]	110.24 [4.34]	49.78 [1.960]	37	41	80	5650090-9
	2.54 [.100]	NO	B	17.78 [.700]	16.76 [.660]	37.85 [1.49]	15.49 [.610]	10	11	23	5650090-7
	2.54 [.100]	NO	A	26.67 [1.050]	25.65 [1.010]	46.74 [1.84]	15.49 [.610]	10	18	30	5650090-6
	2.54 [.100]	NO	A	39.37 [1.550]	38.35 [1.510]	59.44 [2.34]	15.49 [.610]	10	28	40	5650090-3
	2.54 [.100]	NO	B	45.72 [1.800]	44.70 [1.760]	65.79 [2.59]	15.49 [.610]	10	33	45	5650090-2
	2.54 [.100]	YES	A	59.69 [2.350]	58.67 [2.310]	79.76 [3.14]	15.49 [.610]	10	44	56	5650090-1
W	PIN ONE IDENTIFIER	HOLE PATTERN	V	U	T	S	Y	X	NO OF DUAL POSN	PART NUMBER	

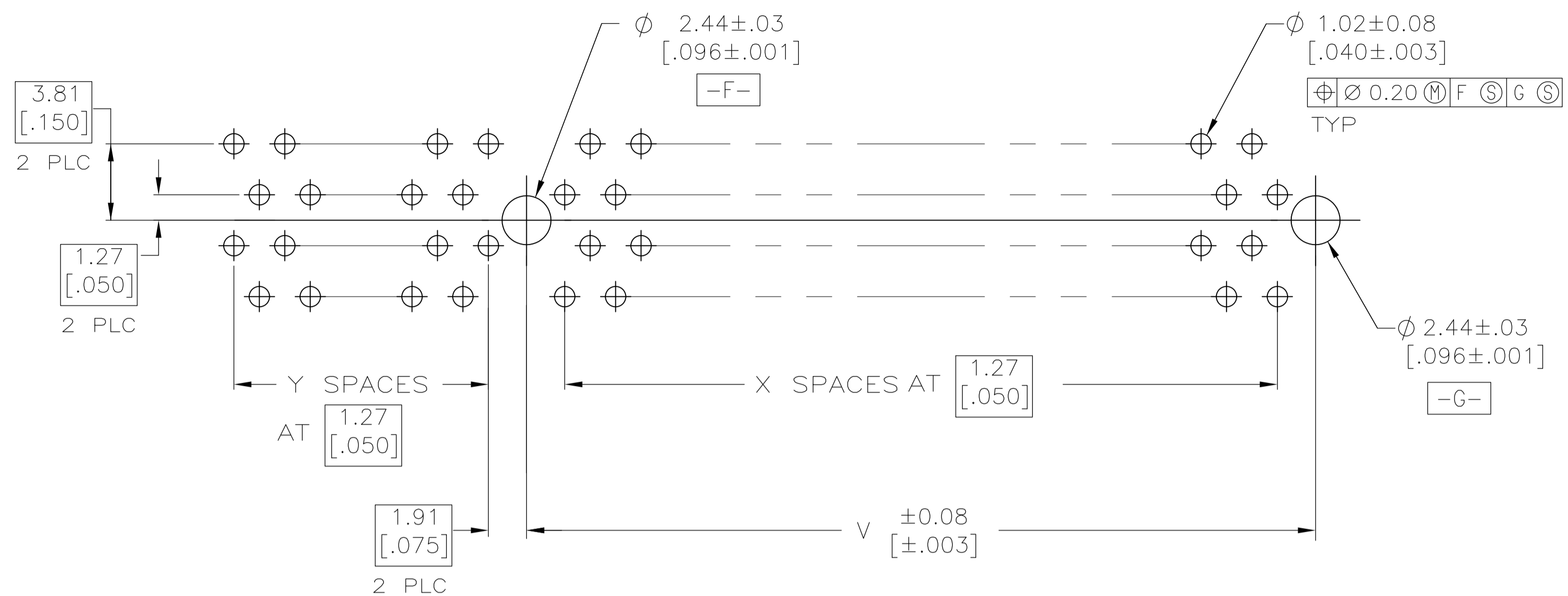


SEE SHEET 2 FOR HOLE PATTERNS

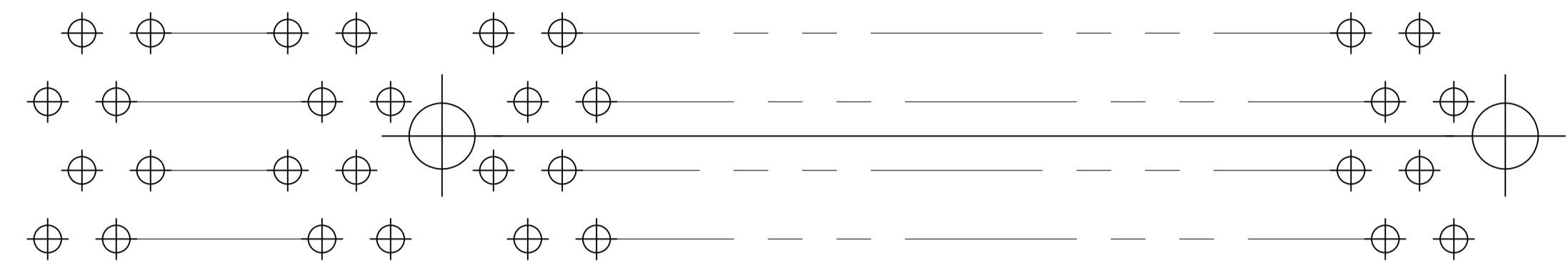
THIS DRAWING IS A CONTROLLED DOCUMENT.

DIMENSIONS: mm 0 PLC ± - 1 PLC ± - 2 PLC ± 0.25 [.010] 3 PLC ± 0.12 [.005] 4 PLC ± - ANGLES ± - FINISH	TOLERANCES UNLESS OTHERWISE SPECIFIED: 0 PLC ± - 1 PLC ± - 2 PLC ± 0.25 [.010] 3 PLC ± 0.12 [.005] 4 PLC ± - ANGLES ± - FINISH	DWN AL FRANTUM 24 JAN 05 CHK AL FRANTUM 24 JAN 05 APVD PRODUCT SPEC 108-14034 APPLICATION SPEC 114-26012 WEIGHT - CUSTOMER DRAWING	NAME CONNECTOR ASSEMBLY, DUAL POSITION, .050 SERIES SIZE A1 CASE CODE 00779 DRAWING NO. 5650090 RESTRICTED TO SCALE 5:1 SHEET 1 OF 2 REV P
---	---	--	--

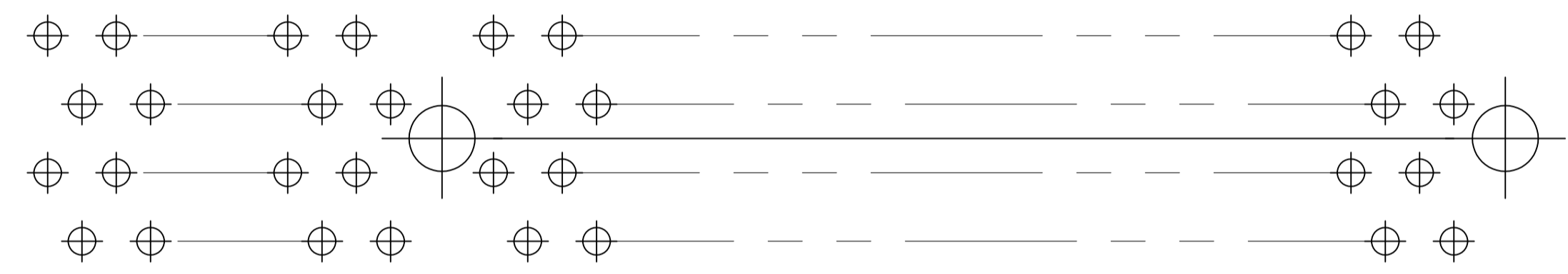
STE TE Connectivity



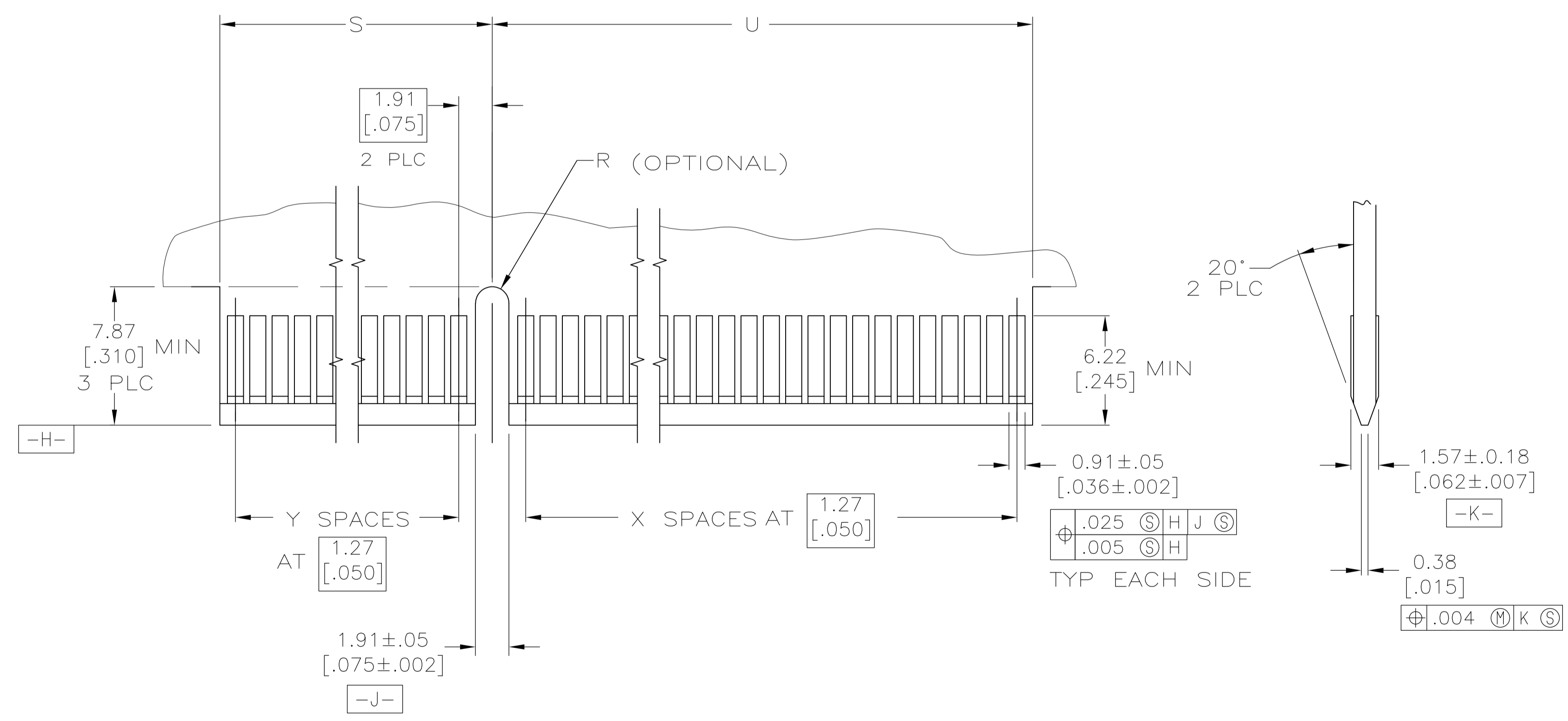
RECOMMENDED CONNECTOR MOUNTING HOLE PATTERN A  
(CONNECTOR SIDE SHOWN)



RECOMMENDED CONNECTOR MOUNTING HOLE PATTERN B  
(CONNECTOR SIDE SHOWN)



RECOMMENDED CONNECTOR MOUNTING HOLE PATTERN C



RECOMMENDED MATING BOARD EDGE CONFIGURATION  
(CONNECTOR SIDE SHOWN)

THIS DRAWING IS A CONTROLLED DOCUMENT.		DIN AL FRANTUM 24 JAN 05	TE Connectivity
DIMENSIONS: mm		OK AL FRANTUM 24 JAN 05	
TOLERANCES UNLESS OTHERWISE SPECIFIED:		APVD	NAME
0 PLC ± -		PRODUCT SPEC	CONNECTOR ASSEMBLY,
1 PLC ± -		108-14034	DUAL POSITION,
2 PLC ± -		APPLICATION SPEC	.050 SEERIES
3 PLC ± -		114-26012	SIZE
4 PLC ± -		SCALE	CAGE CODE
ANGLES ± °		WEIGHT	DRAWING NO
MATERIAL	FINISH	A1 00779	RESTRICTED TO
SEE SHEET 1	SEE SHEET 1	5650090	
CUSTOMER DRAWING		SCALE 5:1	SHEET 2 OF 2

# Mouser Electronics

Authorized Distributor

Click to View Pricing, Inventory, Delivery & Lifecycle Information:

[TE Connectivity:](#)

[5650090-2](#)