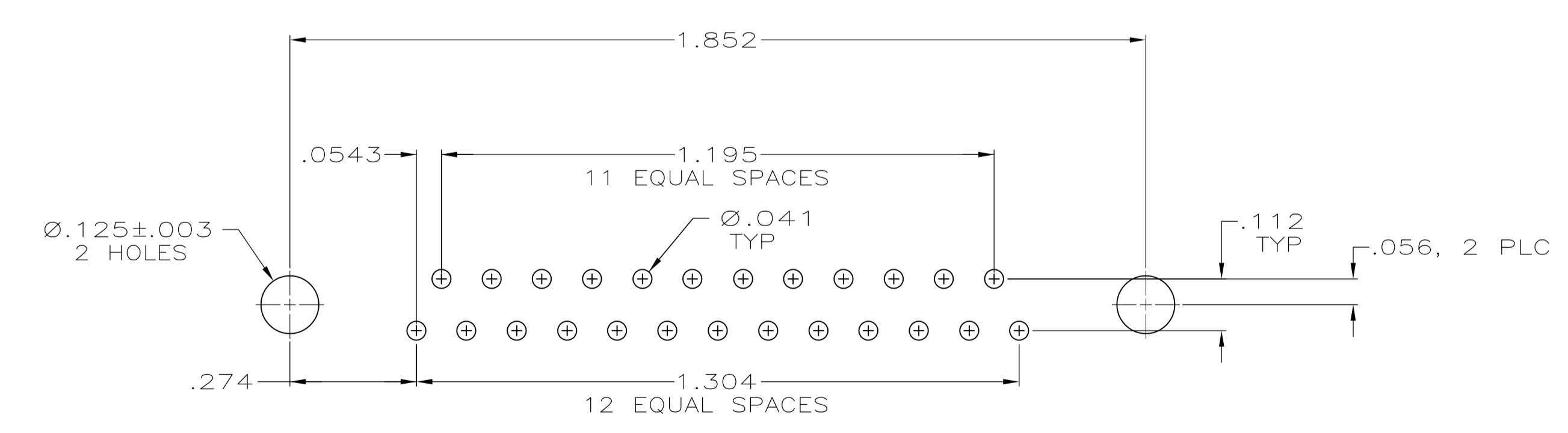
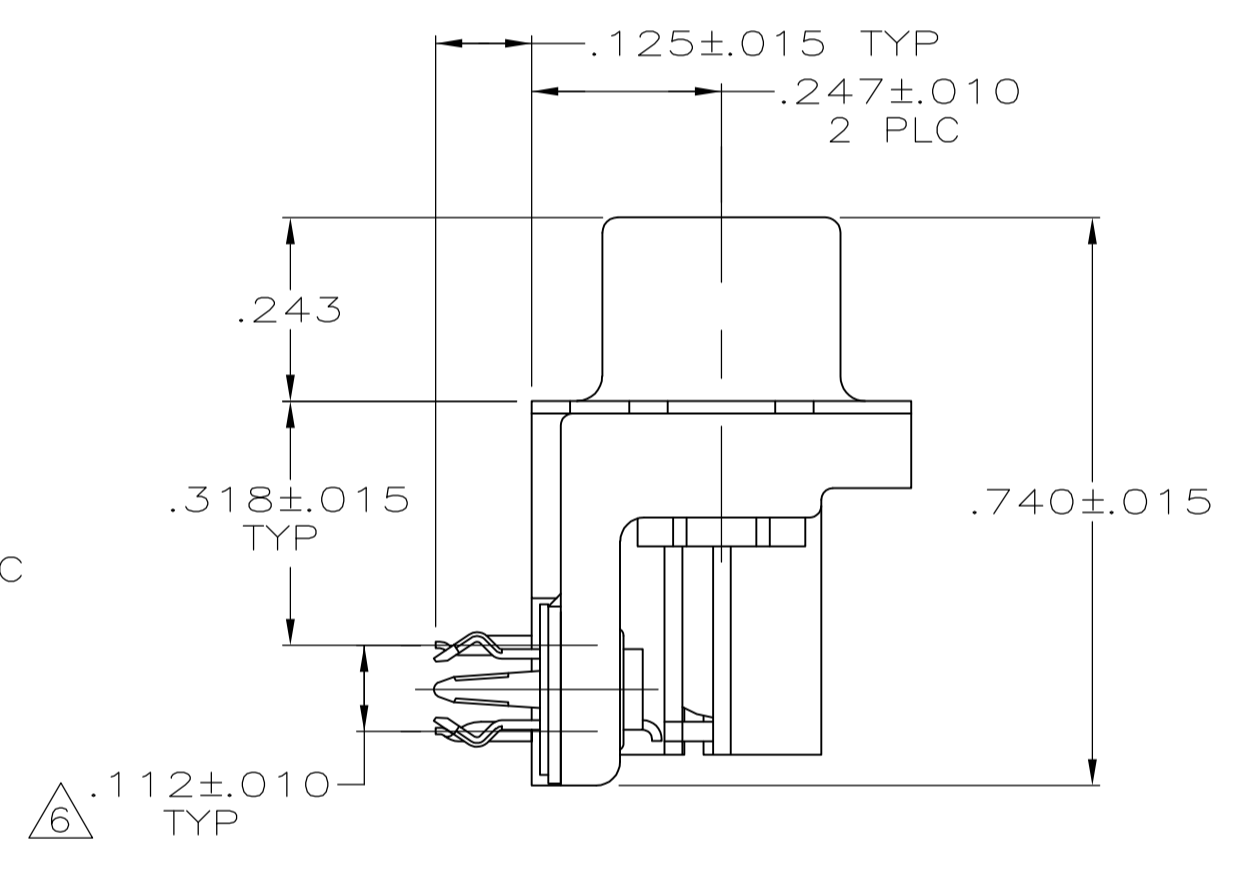
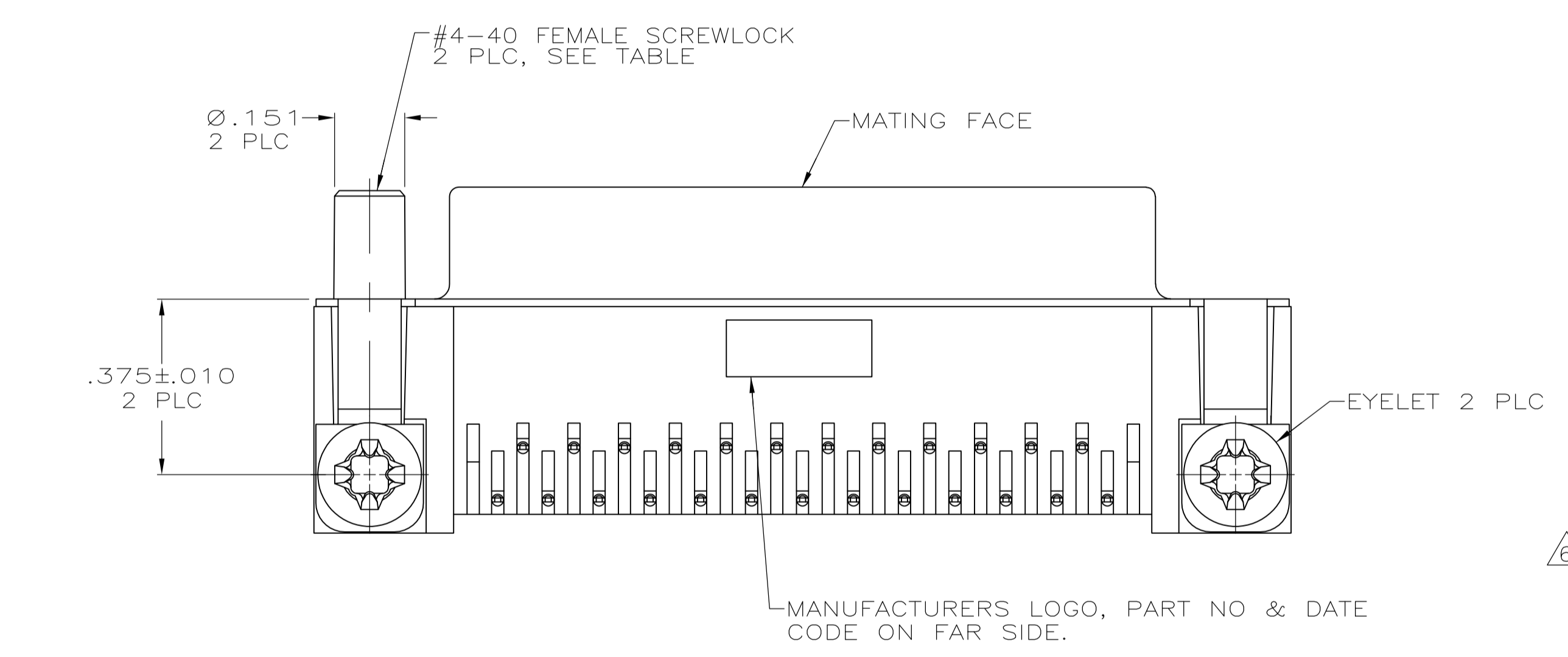
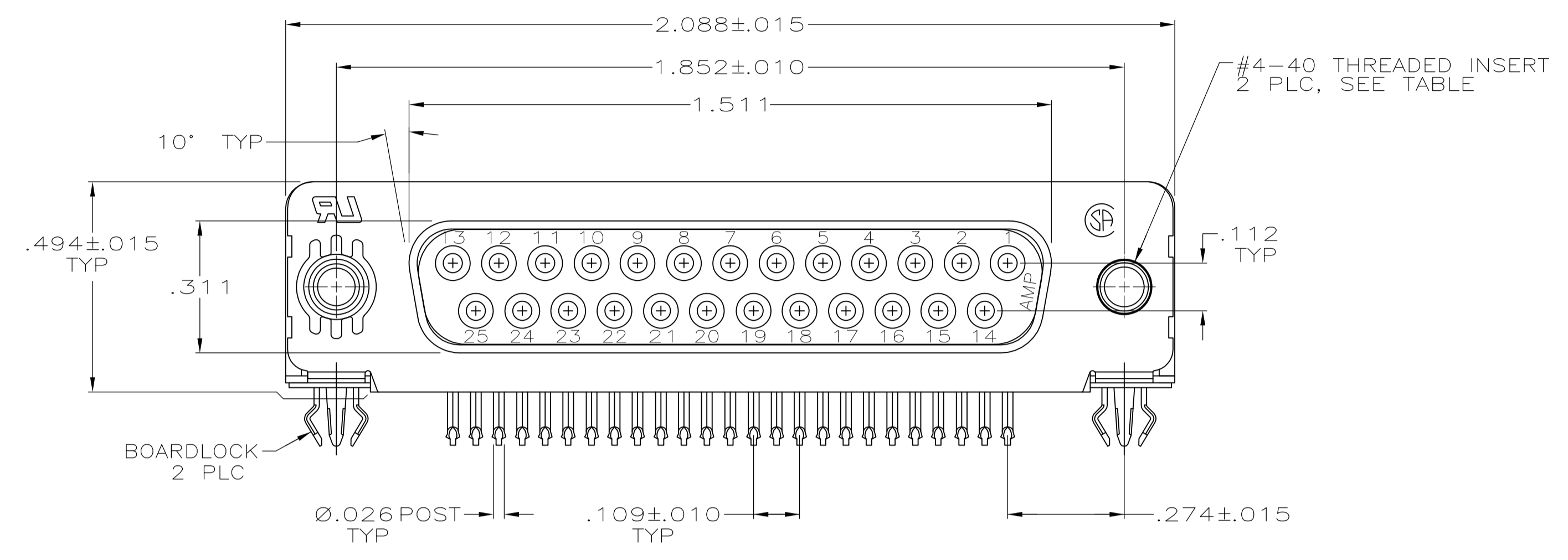


LOC		DIST		REVISIONS			
P	LTR	DESCRIPTION	DATE	DWN	APVD		
P		REVISED PER ECO-11-004835	11MAR11	RK	HMR		



- CONNECTOR MATES WITH ANY 25 POSN PLUG IN AMPLIMITE SERIES.
- MOLDED PARTS: FLAME RETARDANT 94V-0 RATED THERMOPLASTIC, BLACK. SHELL: CARBON STEEL. CONTACTS: PHOSPHOR BRONZE.. EYELETS: BRASS. SCREWLOCKS: ZINC. INSERTS: ZINC. BOARDLOCKS: BRASS.
- SHELL: .000100 MIN TIN OVER .000100 MIN COPPER.. CONTACTS: SEE TABLE. EYELETS: .000100 MIN TIN OVER COPPER FLASH. BOARDLOCKS: .000150 MIN TIN OVER .000050 MIN NICKEL.. INSERTS AND SCREWLOCKS: CLEAR CHROMATE.
- GOLD FLASH FOR A DISTANCE OF .100 MIN FROM MATING END, .000100 MIN TIN ON TERMINATION END, ALL OVER .000050 MIN NICKEL ON ENTIRE CONTACT.
- .000030 MIN GOLD FOR A DISTANCE OF .100 MIN FROM MATING END, .000100 MIN TIN ON TERMINATION END, ALL OVER .000050 MIN NICKEL ON ENTIRE CONTACT.
- DIMENSION APPLIES FROM CENTER OF CONTACTS.

FEMALE SCREWLOCKS	△5	5747846-6
FEMALE SCREWLOCKS	△4	5747846-5
THREADED INSERTS	△5	5747846-4
THREADED INSERTS	△4	5747846-3
.125 DIA HOLES	△5	5747846-2
MOUNTING HARDWARE	CONTACT FINISH	PART NUMBER

**COPYRIGHT 2005  
TE CONNECTIVITY CORP  
ALL RIGHTS RESERVED**

THIS DRAWING IS A CONTROLLED DOCUMENT.

DIMENSIONS: INCHES	TOLERANCES UNLESS OTHERWISE SPECIFIED:	DIN L. VARELA - DOCKS 04-06-05	CHK S. BOLASH 04-06-05	APVD M. WALMSLEY 04-06-05	NAME
0 PLC ± -	1 PLC ± -	2 PLC ± -	3 PLC ± .005	4 PLC ± -	ANGLES ± °
MATERIAL	FINISH	SIZE	CAGE CODE	DRAWING NO	RESTRICTED TO
		114-40010	A1	00779	5747846
CUSTOMER DRAWING		SCALE	4:1	SHEET	1 of 1

**STE** TE Connectivity

RECEPTACLE ASSEMBLY, SIZE 3, 25 POSITION, RIGHT ANGLE, FRONT METAL SHELL, .318 SERIES, .026 DIA POSTS, BOARDLOCKS, AMPLIMITE HD-20

# Mouser Electronics

Authorized Distributor

Click to View Pricing, Inventory, Delivery & Lifecycle Information:

[TE Connectivity:](#)

[5747846-4](#)