

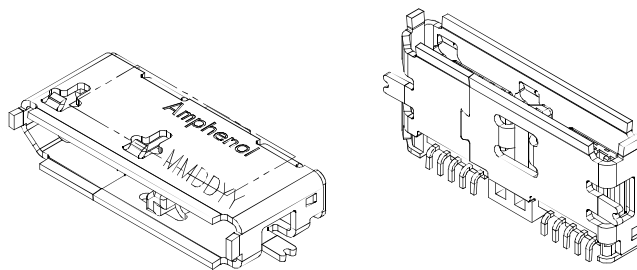
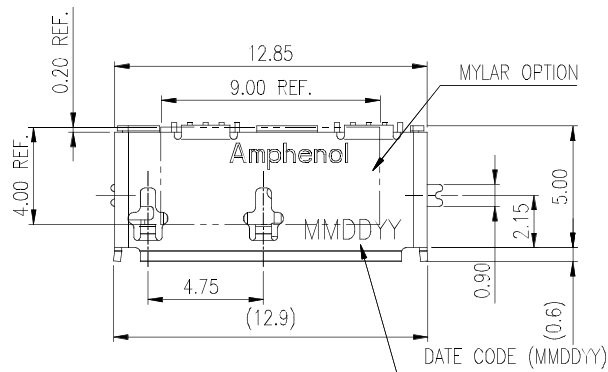
This document is the property of Amphenol Corporation and is delivered on the express condition that it is not to be disclosed, reproduced or used, in whole or in part, for manufacture or sale by anyone other than Amphenol Corporation without its prior consent, and that no right is granted to disclose or to use any information in this document.
 The marking on this product doesn't contain environmental hazardous material and must follow one or more specifications per Material Specification SS-00259 for Sony GP compliant or per directive 2011/65/EC for RoHS compliant or per IEC 61249-2-21 for Halogen Free compliant.



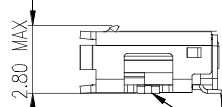
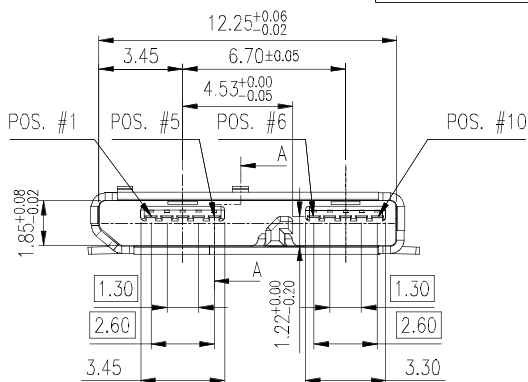
ORIGINAL



| REVISIONS | | | | |
|-----------|----------|-----------------------|------------|-------------|
| SYM | ECN No. | DESCRIPTION | DATE | BY |
| A | NE-14121 | RELEASE TO PRODUCTION | 06/20/2014 | Sondra Sang |

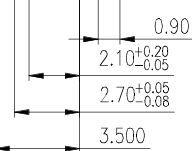
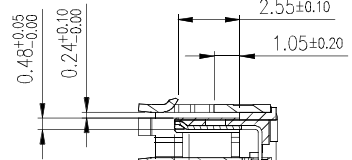
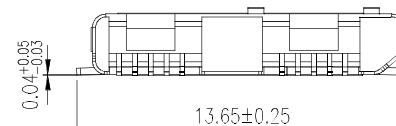


PART NUMBER: GSB4 431 X 3 HR
 CONTACT FINISH: 3: 30µ" GOLD
 VARIATION CODE: BLANK: STANDARD T&R PACKING; A: W/ MYLAR, T&R PACKING
 INSULATOR AND COLOR: 3: LCP, Black

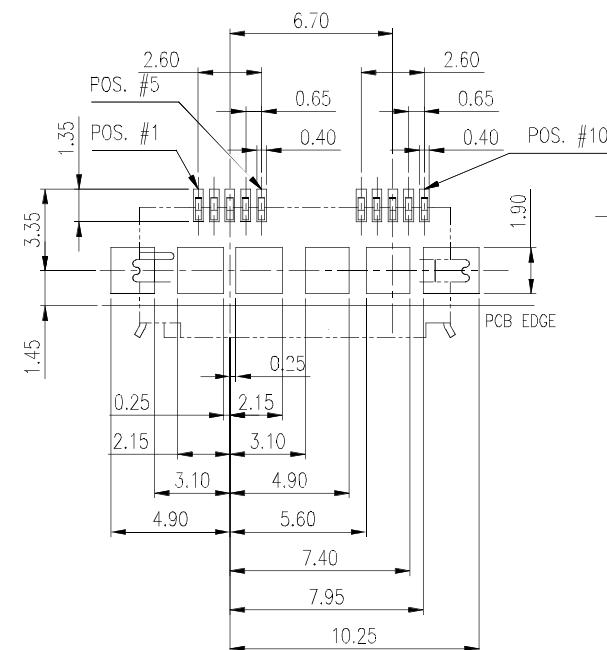


0.08

(ALL CONTACT TAILS & TABS)



SECTION A-A



RECOMMENDED PCB LAYOUT - TOP VIEW
 (GENERAL TOLERANCE: ±0.05)

NOTES:

- HOUSING: HIGH TEMP. THERMOPLASTIC, UL 94V-0, COLOR- BLACK
- CONTACT: COPPER ALLOY, 0.15mm THICKNESS, 30µ" MIN. GOLD PLATED ON CONTACT AREA, GOLD FLASH PLATED ON SOLDERING TAIL, 80µ" MIN. NICKEL UNDER-PLATED OVERALL
- METAL SHELL: STAINLESS, 0.3mm THICKNESS, GOLD FLASH PLATED ON THE SOLDERING TABS
- MYLAR: 4.0 x 9.0 mm
- THIS PRODUCT DOESN'T CONTAIN ENVIRONMENTAL HAZARDOUS MATERIALS PER DIRECTIVE 2011/65/EC FOR RoHS AND PER IEC 61249-2-21 FOR HALOGEN FREE COMPLIANT.

| TOLERANCE | APPROVALS | DATE | TITLE | | UNIT | | SIZE | PART No. | TITLE | |
|----------------------------|-----------------------|----------------------|--|--|-------------|-----------------|----------|--|-------|-----------|
| X. X ±0.30 | DRAWN Sondra Sang | 6/20/2014 | USB 3.1 CONNECTOR MICRO_B, RECEPTACLE R/A SMT TYPE | | mm | A3 | PART No. | Amphenol® Amphenol Corporation Amphenol Taiwan Corporation | | |
| X.XX ±0.20 | | | | | | | | | | |
| X.XXX ±0.10 | CHECKED Chenny Yeh | 6/20/2014 | | | | | | | | |
| ANGULAR ±1° | APPROVED Hank Hsu | 6/20/2014 | | | | | | | | |
| UNLESS OTHERWISE SPECIFIED | DWG TYPE CUST DWG | PROJECT CODE T503 | | | SCALE NA | SHEET 1 OF 1 | DWG No. | GSB443133HR | | REV. A |