

# R2E225 Series

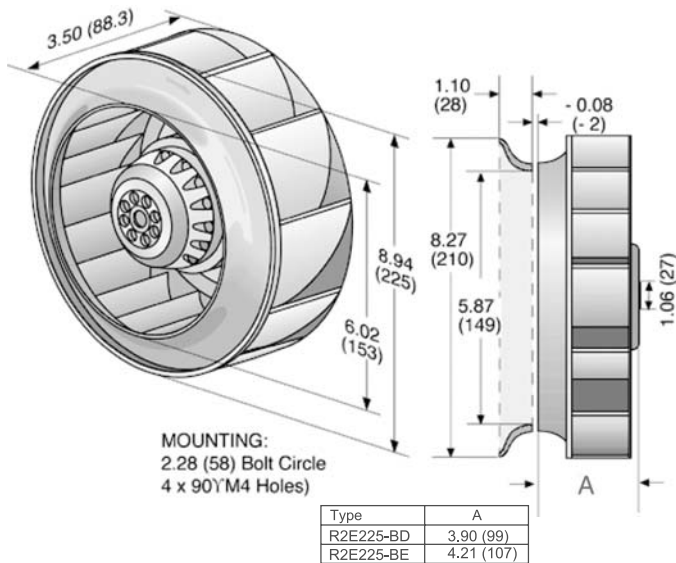
Motorized Impeller



## Ø 225mm Backward Curved

- Backward curved centrifugal fans feature extremely long blades. These impellers are highly resistant to dirt and dust. Their hydraulic efficiency is very high.
- Impeller completely made of plastic PA 6.6.
- Maintenance-free ball bearings.
- Insulation class "B". Cable exit: variable. Direction of rotation is CW as seen from intake side.
- UL, CSA, VDE approvals on most models, please contact application engineering.
- Recommended inlet ring: 96358-2-4013

Part Number	Curve	CFM @ 0	VAC	Hertz	Power (W)	dBA	Max Amb. Temp. C	Bearing Type	Features	Capacitor (µF)	Wgt. (lbs)
R2E225-BE51-09	1	756	115	60	185	75	50	Ball	Leads	20	6.00
R2E225-BE47-09	1	756	230	60	185	75	45	Ball	Leads	5	6.00
R2E225-BD92-36	2	789	230	60	200	71	60	Ball	Leads	-	6.84



# Mouser Electronics

Authorized Distributor

Click to View Pricing, Inventory, Delivery & Lifecycle Information:

[ebm-papst:](#)

[R2E225-BD92-36](#) [R2E225-BE47-09](#) [R2E225-BE51-09](#) [W2S130-AA25-51](#) [R2E225-AX52-16](#) [R2E225-BA47-09](#)  
[W2S130-AA03-46](#) [W2S130-AB03-09](#) [W2S130-AB03-10](#) [W2S130-AB25-24](#) [R2E225-BD40-28](#) [R2E225-BD92-09](#)  
[R2E225-BD40-21](#)