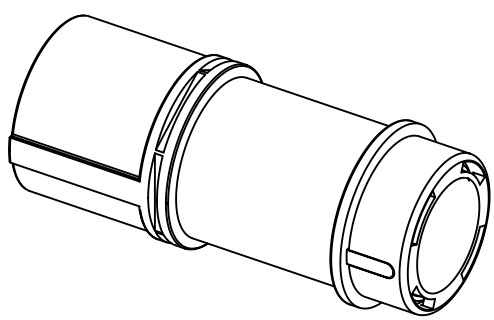
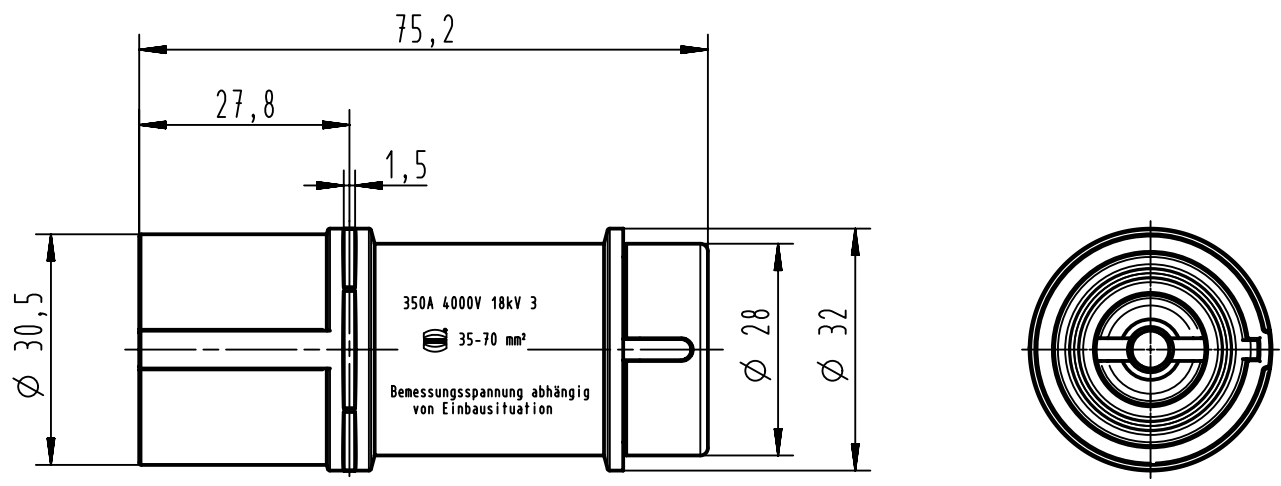


A

B

C

D



	All Dimensions in mm Original Size DIN A4		Scale 1:1	Free size tol.		Ref.
						Sub.
	All rights reserved		Created by FINKEV	Inspected by MOOR	Standardisation SCHMIDTM	Date 2015-06-08
	Department EL PD - DE					State Final Release
Leiterquerschnitt/ wire gauge			Title Han 1 HC 350A/4KV -male- 35-70 mm			Doc-Key / ECM-Nr. 100132460/UGD/006/B 500000089896
35-70 mm <sup>2</sup> AWG 1-2/0			Type TB      Number 09 11 001 2651			
HARTING Electric GmbH & Co. KG D-32339 Espelkamp						Rev. B      Page 1/1

# Mouser Electronics

Authorized Distributor

Click to View Pricing, Inventory, Delivery & Lifecycle Information:

[HARTING:](#)

[09110012651](#)