

PART TYPE	SIZE	SPEC	MATERIAL
PLASTIC	-	M0682002 POM-K COP NAT	
TERMINAL D	0.8 X 40.1	CDA-210, EXTRA SPRING TEMPER	
TERMINAL C	0.8 X 45.5	CDA-210, EXTRA SPRING TEMPER	
TERMINAL B	0.8 X 45.0	CDA-210, EXTRA SPRING TEMPER	
TERMINAL A	0.8 X 39.3	CDA-210, EXTRA SPRING TEMPER	

**SYMBOL DEFINITION**

A DIMENSION WITHOUT AN INSPECTION REPORT SYMBOL DOES NOT REQUIRE INSPECTION. IT MAY BE CONTROLLED ON THE INDIVIDUAL COMPONENT DRAWING.

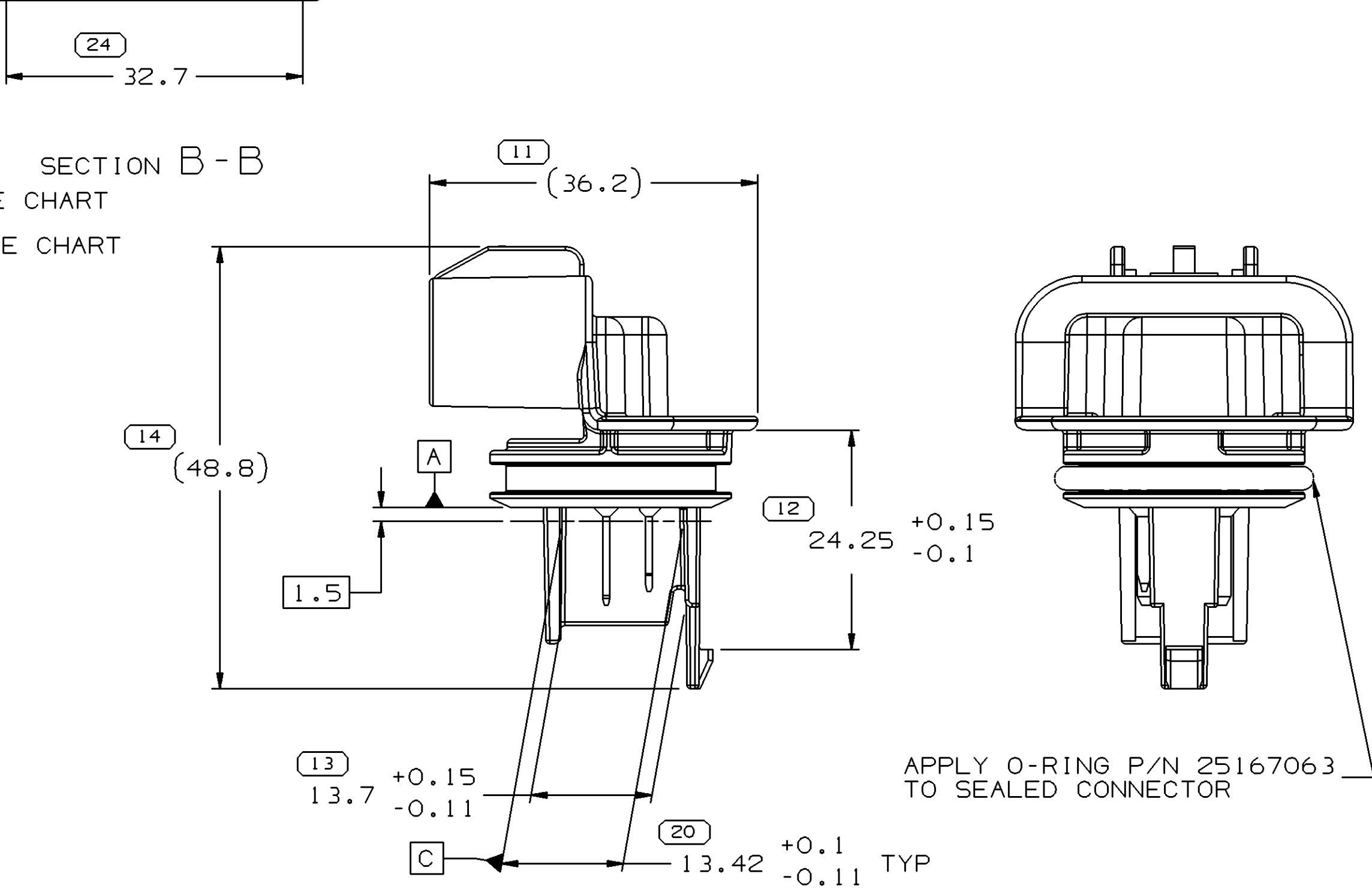
TOTAL NO OF INSPECTIONS REQUIRED	30
LAST NO. USED	25

**MISSING SYMBOLS**

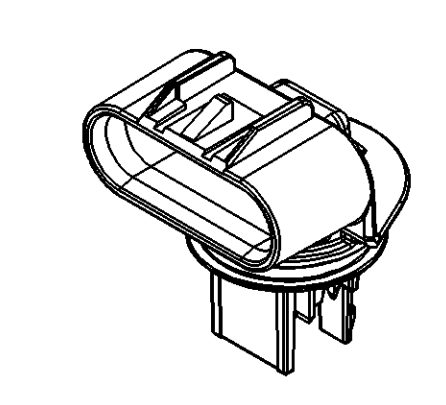
DATE	STG	REV	N/P	CHG	ZONE	REVISION HISTORY	AUTH	DR	APVD1	APVD2
28FE05	R	01	-	-		RELEASED	265293	END	END	JU
05MY05	R	01	AA	-		ADDED DIMS #23-25 AND KPC TO DIMS #9 & #22; REMOVED DIMS #15, #16, #19 & #21 AND REVISED TOLERANCES ON DIMS #13 & #22	267979	AKJ	AKJ	JCU
13JN05	R	01	AB	-		13.7 +0.15/-0.11 WAS 13.7 +0.15/-0.1 AND 13.42 +0.1/-0.11 TYP WAS 13.42 ± 0.1 TYP	269216	GPS	JAA	RMF
30JN05	R	02	-	-		Ø 23.13±0.15 WAS Ø 23.34±0.15, 3.15 CONSTANT WAS 3 CONSTANT & 4X 0.9±0.15 WAS 4X 0.9±0.1	269856	MAC	MAC	RF

**KEY PRODUCT CHARACTERISTICS**

NO & TYPE	DESCRIPTION	RATIONALE	PTS	ZONE
1	F/F	O-RING SEALING SURFACE	-	D11
2	F/F	BLADE THICKNESS	-	D12



- NOTES**
- UNLESS OTHERWISE SPECIFIED AND/OR INDICATED: DIMENSIONS ARE TO FACE OF VIEW SHOWN AND AUTOMATICALLY ROUNDED BY COMPUTER FOR INSPECTION (SEE MATH MODEL FOR PRECISE DIMENSIONS). FOR ALL OTHER DIMENSIONS NOT SHOWN BUT REQUIRED FOR TOOL BUILD, SEE MATH MODEL FOR PRECISE TOOL PATH DATA.
  - MATERIAL RECYCLING CODE PER ISO 11469. (1.5)X(0.1) CHARACTERS AS SHOWN TO BE LOCATED ON ANY EXTERIOR SURFACE. OPTIONAL CONSTRUCTION TO BE NO MATERIAL RECYCLING CODE.
  - REFERENCE MATING COMPONENTS OR EQUIVALENT:  
CONNECTOR 13517799  
CONNECTOR ASSEMBLY 15326631
  - THIS PART ACCEPTS THE FOLLOWING COMPONENTS OR EQUIVALENT:  
CONNECTOR O-RING 25167063
  - (1.5)X(0.1) DELPHI CORPORATE BRAND TO BE LOCATED ON ANY EXTERIOR SURFACE, PREFERABLY VISIBLE AT FINAL ASSEMBLY. OPTIONAL CONSTRUCTION TO BE "PED" OR NO LOGO.
  - AUDIT TEST:** PARTS SHALL BE SEALED SUCH THAT WHEN SUBJECTED TO A PRESSURE OF 6 PSI, THERE SHALL BE NO LEAKAGE AS SHOWN BY A SERIES OF RISING BUBBLES. A SERIES OF RISING BUBBLES IS DEFINED AS TWO OR MORE BUBBLES WITHIN 30 SECONDS.
  - WHEN PARTS ARE SHIPPED THEY MUST BE PACKED IN PLASTIC BAGS OR SHIPPING CONTAINERS MUST BE LINED WITH PLASTIC LINERS. BAGS OR LINERS MUST BE SEALED TO AVOID FOREIGN MATTER.



**DWG TYPE: PART DRAWING**

STYLE: \_\_\_\_\_

VOLUME (CM³): 9.547

DISTR CODE: D

UNLESS OTHERWISE SPECIFIED  
THIS DOCUMENT IS IN ACCORDANCE WITH ASME Y14.5M-1994 AS AMENDED BY THE GM GLOBAL DIMENSIONING AND TOLERANCING ADDENDUM-2001. SEPARATE PATTERNS OF FEATURES MAY BE GAGED SEPARATELY REGARDLESS OF DATUM REFERENCES.

ALL DIMENSIONS ARE IN MILLIMETERS

THIRD ANGLE PROJECTION

DO NOT SCALE

USE MATH DATA

UNIGRAPHICS

**DELPHI**

DELPHI PACKARD ELECTRIC SYSTEMS  
WARREN, OH

DR	DATE
APVD1 E.NEAL DUNHAM	28FE05
APVD2 E.NEAL DUNHAM	28FE05
APVD3 J.C.URREA	28FE05
APVD4	
APVD5	

SUBSTANCES OF CONCERN AND RECYCLED CONTENT PER DELPHI 10949001

MATERIAL SEE CHART

DRAWING NAME  
CONN 4 M GT 280 M/P 150 280 COUPLING

DRAWING NUMBER  
13516627

SIZE	SCALE	FRAME NO	SHEET NO	STG	REV	N/P
A1	2:1	1 OF 1	1 OF 1	R	02	-

**(22) PROCESS SENSITIVE DIMENSION**

DIMENSIONS ENCLOSED IN ( ) INDICATE REFERENCE DIMENSIONS AND NO TOLERANCE LIMITS ARE ESTABLISHED

DIMENSIONAL RANGE (MM)	TOLERANCE UNLESS OTHERWISE SPECIFIED	CHART E1
FROM TO		
> 0		
> 20		
> 30		
> 70		
> 100		
> 150		
> 200		
> 250		
> 300		
> 400		

ANGULAR TOLERANCE ± 2°

# Mouser Electronics

Authorized Distributor

Click to View Pricing, Inventory, Delivery & Lifecycle Information:

[Aptiv:](#)  
[13516627](#)