

## Electronic housing - ME 35 UTG GN - 2907208

Please be informed that the data shown in this PDF Document is generated from our Online Catalog. Please find the complete data in the user's documentation. Our General Terms of Use for Downloads are valid (<http://phoenixcontact.com/download>)




Component housing without vents, Lower part, Cross connection: without bus connector, Color: green, Width: 35 mm, Constructional height: 114.5 mm, Number of positions cross connector: not relevant

### Product Features

- Tool-free mounting
- Low design width with a high number of positions
- Large assembly area
- Same PCB geometry for all design widths
- Recessed labeling areas
- Fast mounting on DIN rails according to EN 60715
- Inflammability class V0 according to UL 94
- Cost savings thanks to easy device production
- Material and part identification embossed on the housing (recyclability)
- Optional BUS connection integrated in the housing, for either parallel or serial contacting
- Metal foot catch
- Functional earth ground contact (EMC) integrated in the housing base
- Electronic components can be partially removed



### Key Commercial Data

Packing unit	1 pc
Minimum order quantity	10 pc
GTIN	 4 017918 131425
Weight per Piece (excluding packing)	63.51 g
Custom tariff number	85472000
Country of origin	Germany

# Electronic housing - ME 35 UTG GN - 2907208

## Technical data

### General

Housing type	Component housing
Housing material	Polyamide
Color	green

### Ambient conditions

Ambient temperature (operation)	-40 °C ... 105 °C (depending on power dissipation)
---------------------------------	--

### Dimensions

Length	99 mm
Constructional height	114.5 mm
Width	35 mm

### Technical data

Flammability rating according to UL 94	V0
Power dissipation without gap	7.5 W
Power dissipation with 20 mm gap	13.8 W
Number of positions	24

### Standards and Regulations

Flammability rating according to UL 94	V0
--	----

## Classifications

### eCl@ss

eCl@ss 4.0	27180401
eCl@ss 4.1	27180401
eCl@ss 5.0	27180506
eCl@ss 5.1	27180506
eCl@ss 6.0	27180802
eCl@ss 7.0	27182702
eCl@ss 8.0	27182702
eCl@ss 9.0	27182702

### ETIM

ETIM 2.0	EC001031
ETIM 3.0	EC001031
ETIM 4.0	EC001031
ETIM 5.0	EC001031

# Electronic housing - ME 35 UTG GN - 2907208

## Classifications

### UNSPSC

UNSPSC 6.01	31261501
UNSPSC 7.0901	31261501
UNSPSC 11	31261501
UNSPSC 12.01	31261501
UNSPSC 13.2	31261501

## Approvals

### Approvals

---

#### Approvals

UL Recognized

---

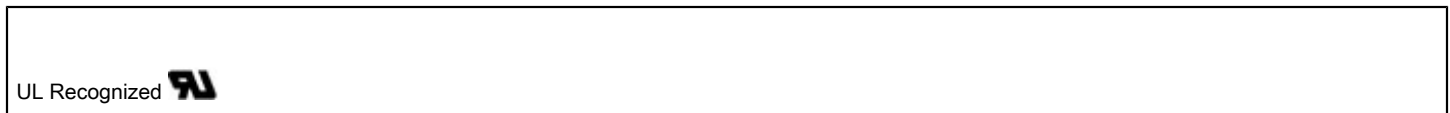
Ex Approvals

---

Approvals submitted

---

### Approval details



## Accessories

### Accessories

#### Mounting material

Electronic housing - ME LPZS - 2906911



Component housing

### Required add-on products

## Electronic housing - ME 35 UTG GN - 2907208

### Accessories

Electronic housing - ME 17,5 OT-MSTBO GN - 2906827



Component housing, Upper part, Color: green, Width: 17.5 mm, Constructional height: 38.5 mm

Electronic housing - ME 17,5 OT-MKDSO GN - 2906843



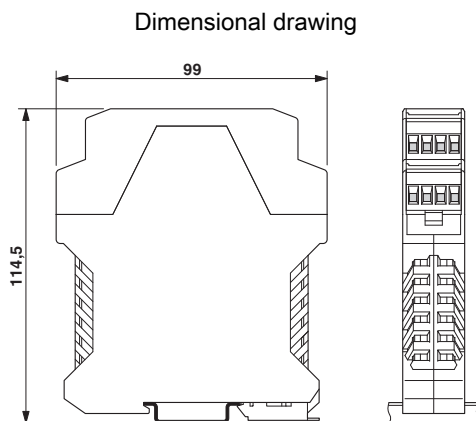
Component housing, Upper part, Color: green, Width: 17.5 mm, Constructional height: 38.5 mm

Electronic housing - ME 35 OT-MSTBO GN - 2709639

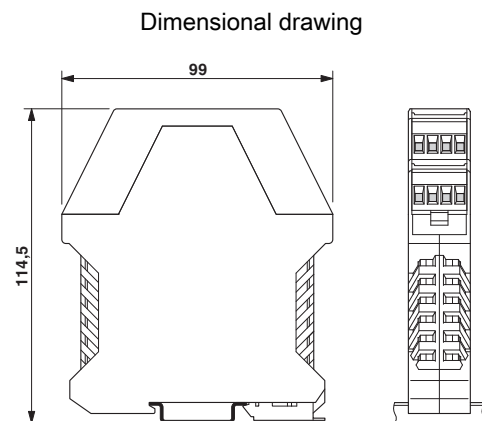


Component housing, Upper part, Color: green, Width: 35 mm, Constructional height: 38.5 mm

### Drawings



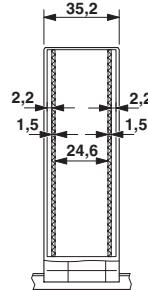
Dimensions of the electronic housing ME... with double-level upper part



Dimensions of the electronic housing ME... with double-level upper part

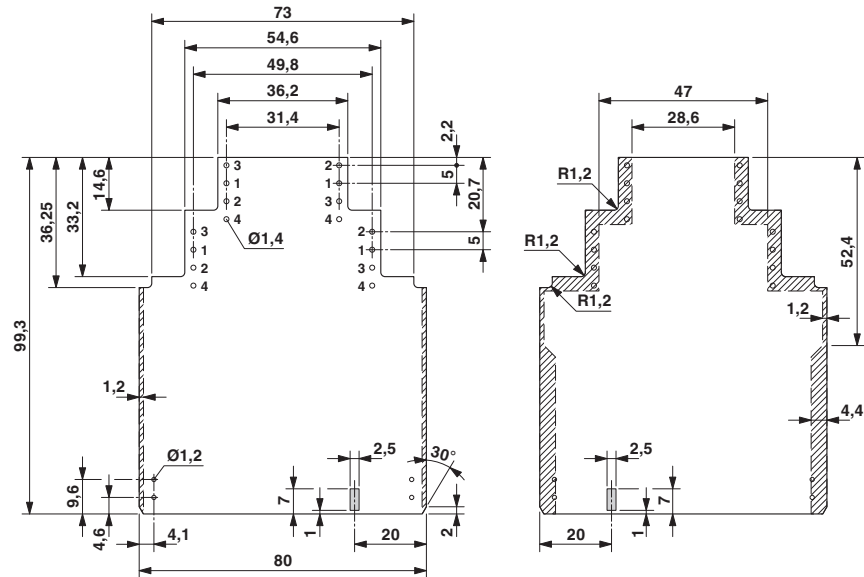
# Electronic housing - ME 35 UTG GN - 2907208

Dimensional drawing



Inner housing dimensions, electronic housing ME 35 ...

Dimensional drawing



Dimensional drawing of the ME... printed circuit board if the double level upper part is used

# Mouser Electronics

Authorized Distributor

Click to View Pricing, Inventory, Delivery & Lifecycle Information:

[Phoenix Contact:](#)

[2907208](#)