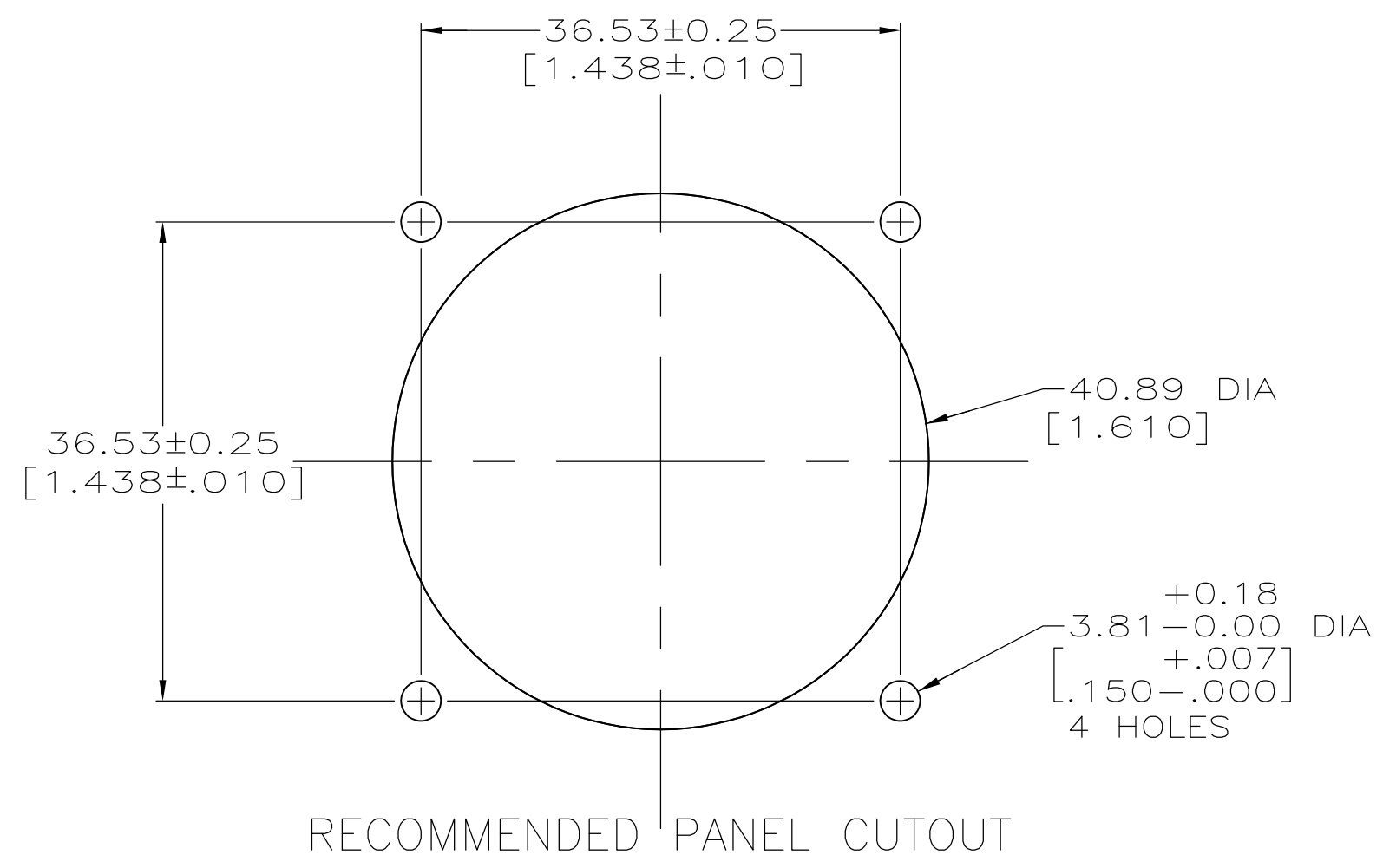
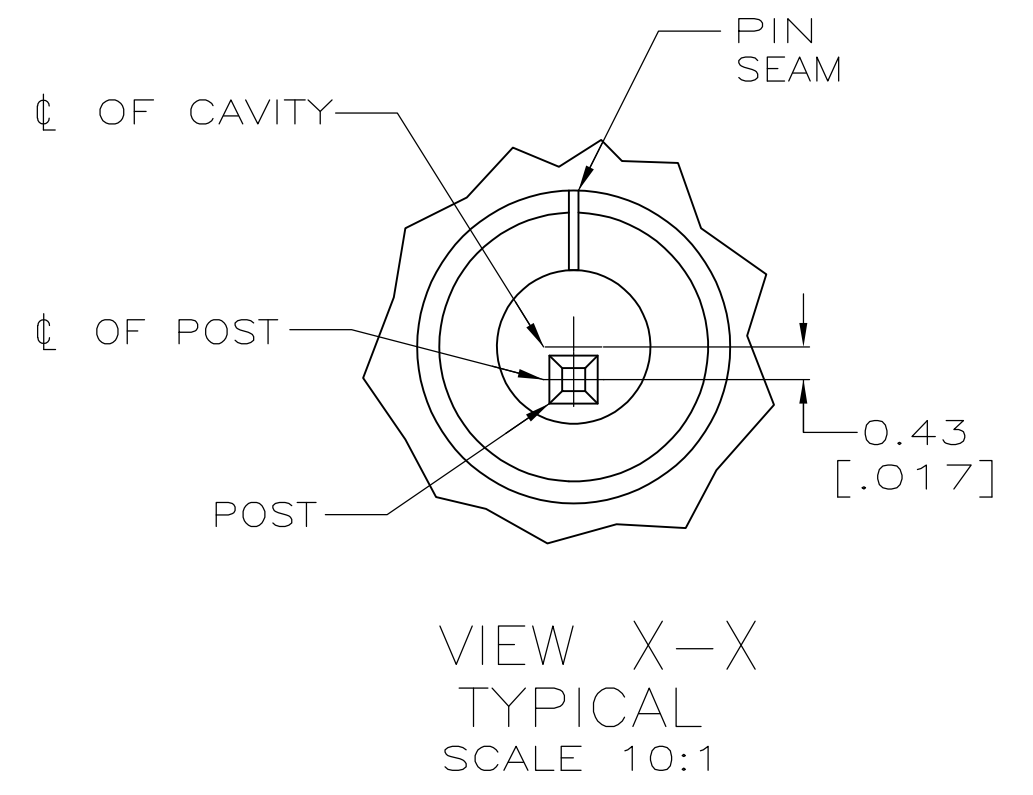
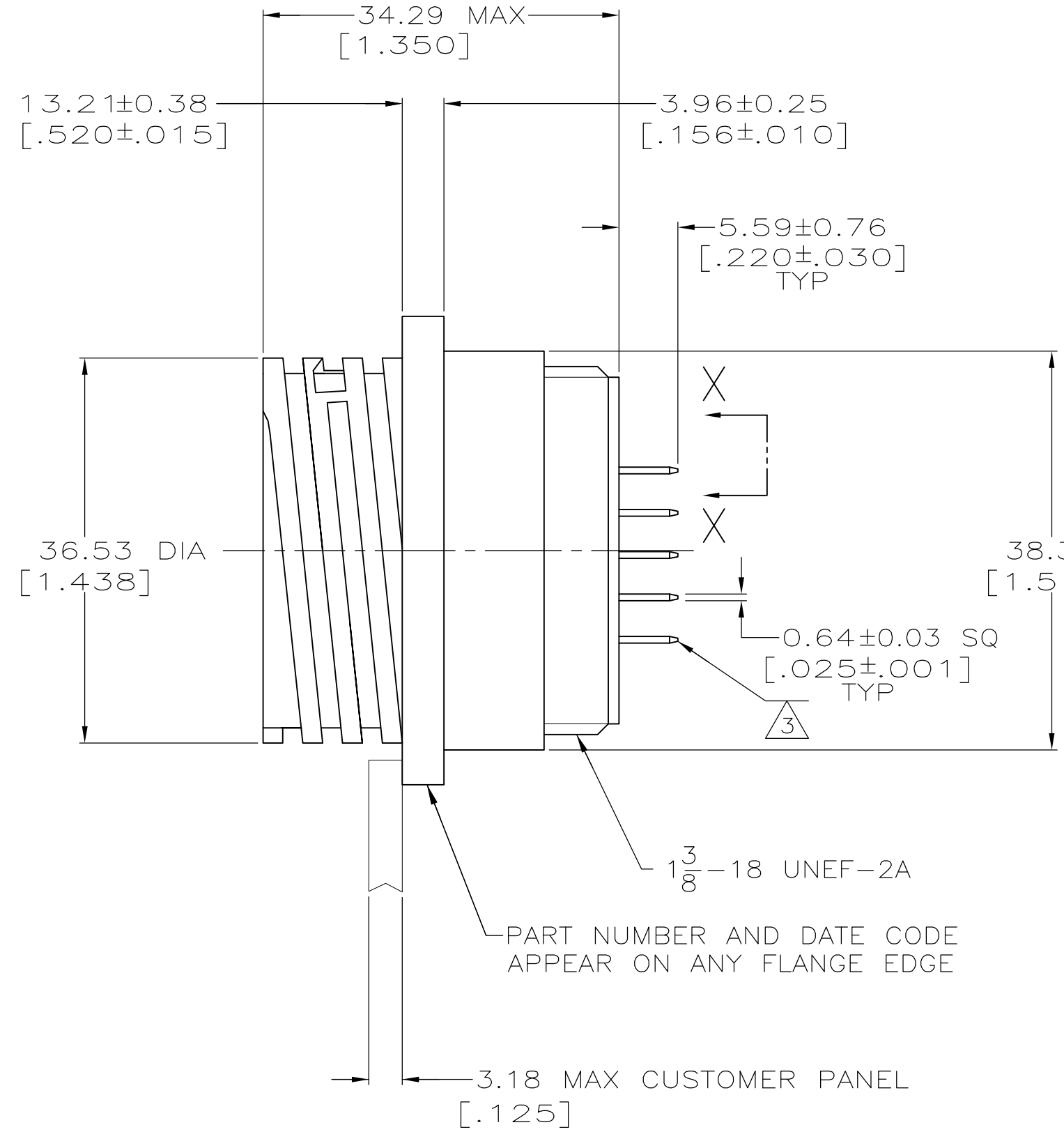
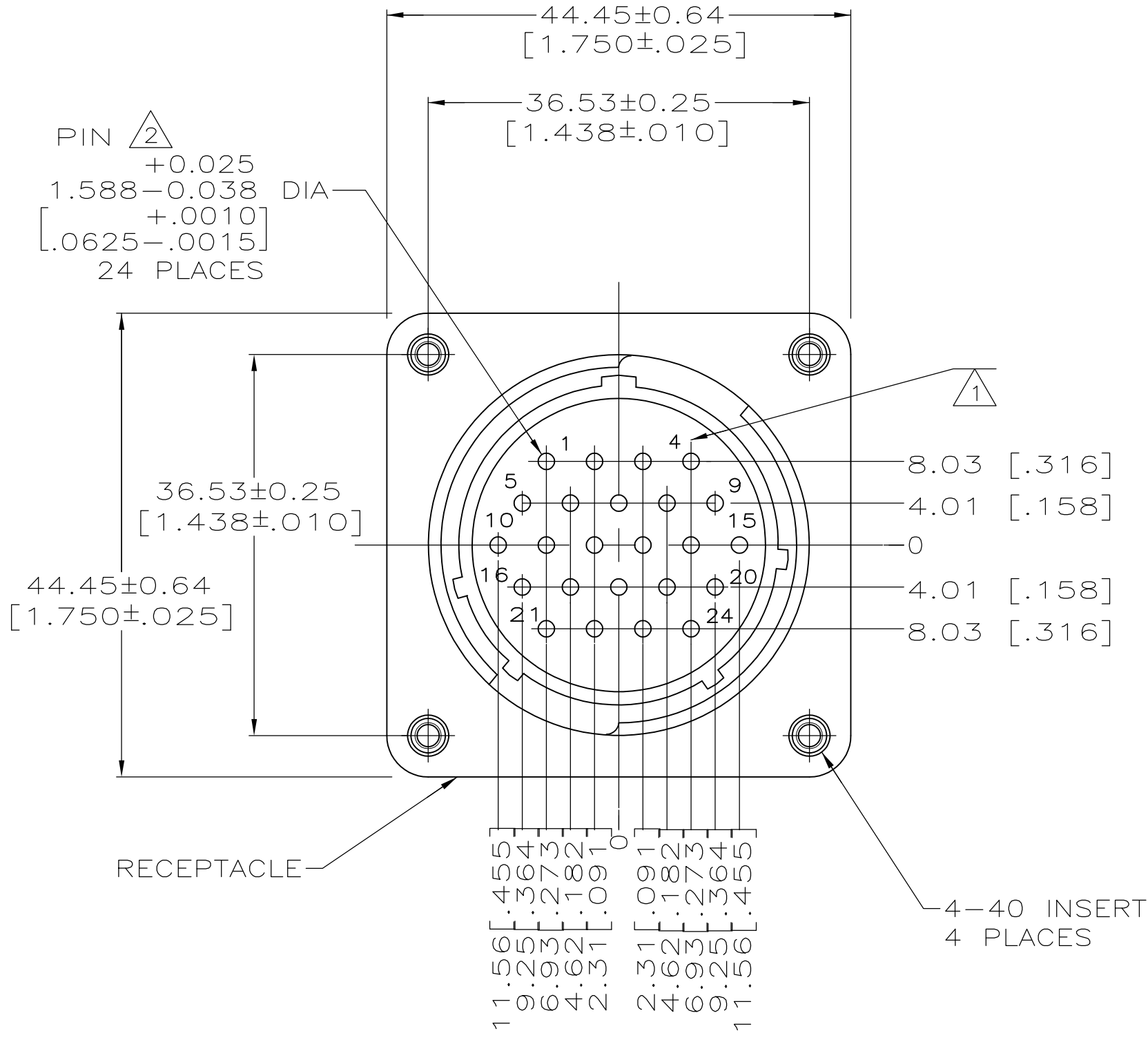


THIS DRAWING IS UNPUBLISHED. RELEASED FOR PUBLICATION
 © COPYRIGHT - By - ALL RIGHTS RESERVED.

LOC		DIST		REVISIONS			
P	LTR	DESCRIPTION	DATE	DWN	APVD		
BD	0						
C		REVISED PER ECO-12-015665	26SEP12	KH	MZ		

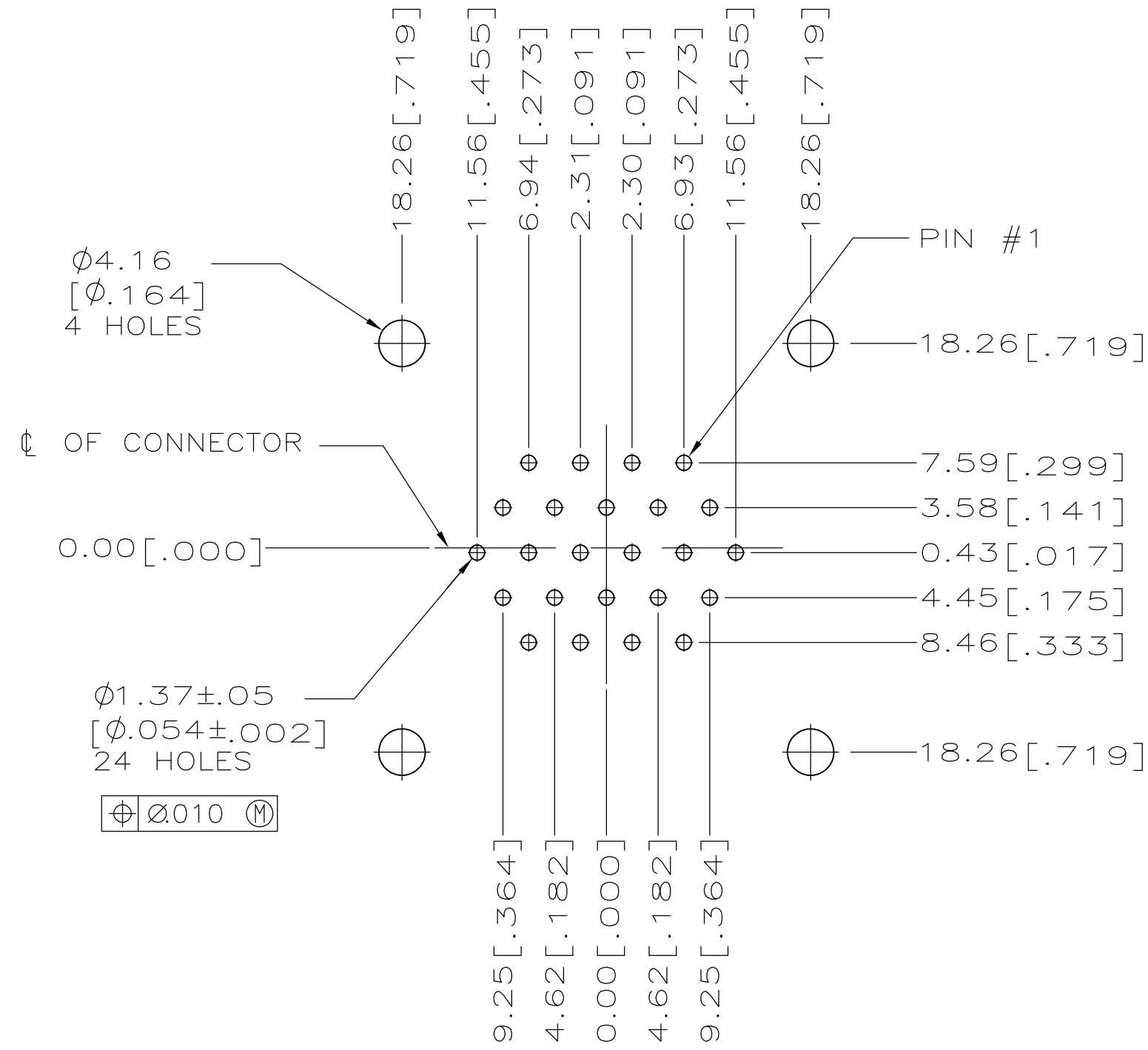


- 1 CAVITY IDENTIFICATION CHARACTERS ON FRONT AND REAR FACE.
- 2 1.27um [.000050] MIN TIN OVER NICKEL FLASH.
- 3 2.54um [.000100] MIN TIN-LEAD OVER 2.54um [.000100] MIN COPPER ON THIS END.
- 4 2.54um [.000100] MIN TIN OVER 2.54um [.000100] MIN COPPER ON THIS END.

THIS DRAWING IS A CONTROLLED DOCUMENT.		DWN	2-23-90	213588-2	
		CHK	C DORWART	213588-1	
DIMENSIONS: mm [INCHES]		APVD		POST FINISH	PART NUMBER
TOLERANCES UNLESS OTHERWISE SPECIFIED:		PRODUCT SPEC		TE Connectivity	
0 PLC	± -	APPLICATION SPEC		RECEPTACLE ASSEMBLY, 23-24, STANDARD SEX, POSTED CONTACTS, CPC	
1 PLC	± -			SIZE	CAGE CODE
2 PLC	± 0.13[.005]			A2	00779
3 PLC	± -			DRAWING NO	RESTRICTED TO
4 PLC	± -			C=213588	
ANGLES	± -	WEIGHT			
FINISH		CUSTOMER DRAWING		SCALE	SHEET
MATERIAL				2:1	1 OF 2
INSERT AND PIN: BRASS					REV C

THIS DRAWING IS UNPUBLISHED. RELEASED FOR PUBLICATION
 © COPYRIGHT - By - ALL RIGHTS RESERVED.

LOC		DIST		REVISIONS			
BD	0	P	LTR	DESCRIPTION	DATE	DWN	APVD
		-		SEE SHEET 1	-	-	-



RECOMMENDED P.C. BOARD LAYOUT

THIS DRAWING IS A CONTROLLED DOCUMENT.		DWN	2-23-90			TE Connectivity																			
DIMENSIONS: mm [INCHES]		CHK	C DORWART			NAME																			
TOLERANCES UNLESS OTHERWISE SPECIFIED:		APVD	-			RECEPTACLE ASSEMBLY, 23-24, STANDARD SEX, POSTED CONTACTS, CPC																			
<table border="1"> <tr><td>0 PLC</td><td>±</td><td>-</td></tr> <tr><td>1 PLC</td><td>±</td><td>-</td></tr> <tr><td>2 PLC</td><td>±</td><td>0.13 [.005]</td></tr> <tr><td>3 PLC</td><td>±</td><td>-</td></tr> <tr><td>4 PLC</td><td>±</td><td>-</td></tr> <tr><td>ANGLES</td><td>±</td><td>-</td></tr> </table>		0 PLC	±	-		1 PLC	±	-	2 PLC	±	0.13 [.005]	3 PLC	±	-	4 PLC	±	-	ANGLES	±	-	PRODUCT SPEC	-		SIZE	CAGE CODE
0 PLC	±	-																							
1 PLC	±	-																							
2 PLC	±	0.13 [.005]																							
3 PLC	±	-																							
4 PLC	±	-																							
ANGLES	±	-																							
MATERIAL: INSERT AND PIN: BRASS		FINISH	-		WEIGHT	-																			
		CUSTOMER DRAWING		SCALE	2:1		SHEET 2 OF 2																		
				RESTRICTED TO	A2 00779 C=213588		REV C																		

Mouser Electronics

Authorized Distributor

Click to View Pricing, Inventory, Delivery & Lifecycle Information:

[TE Connectivity:](#)

[213588-2](#)