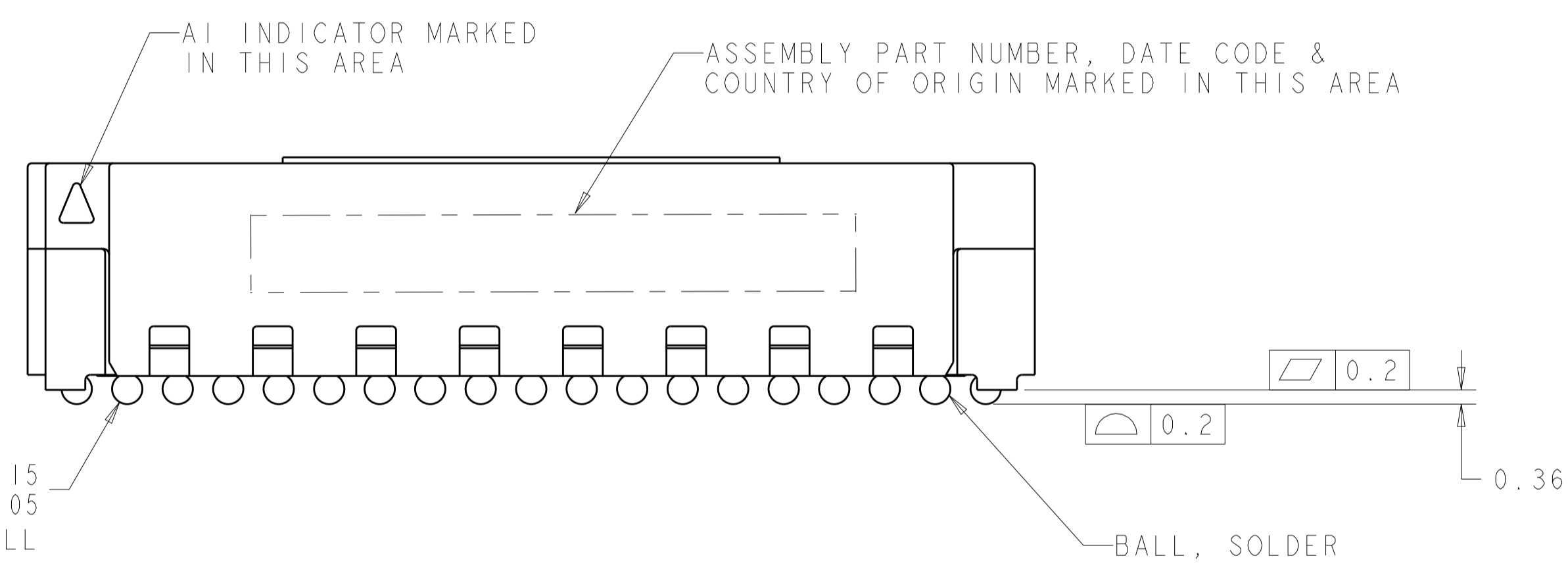
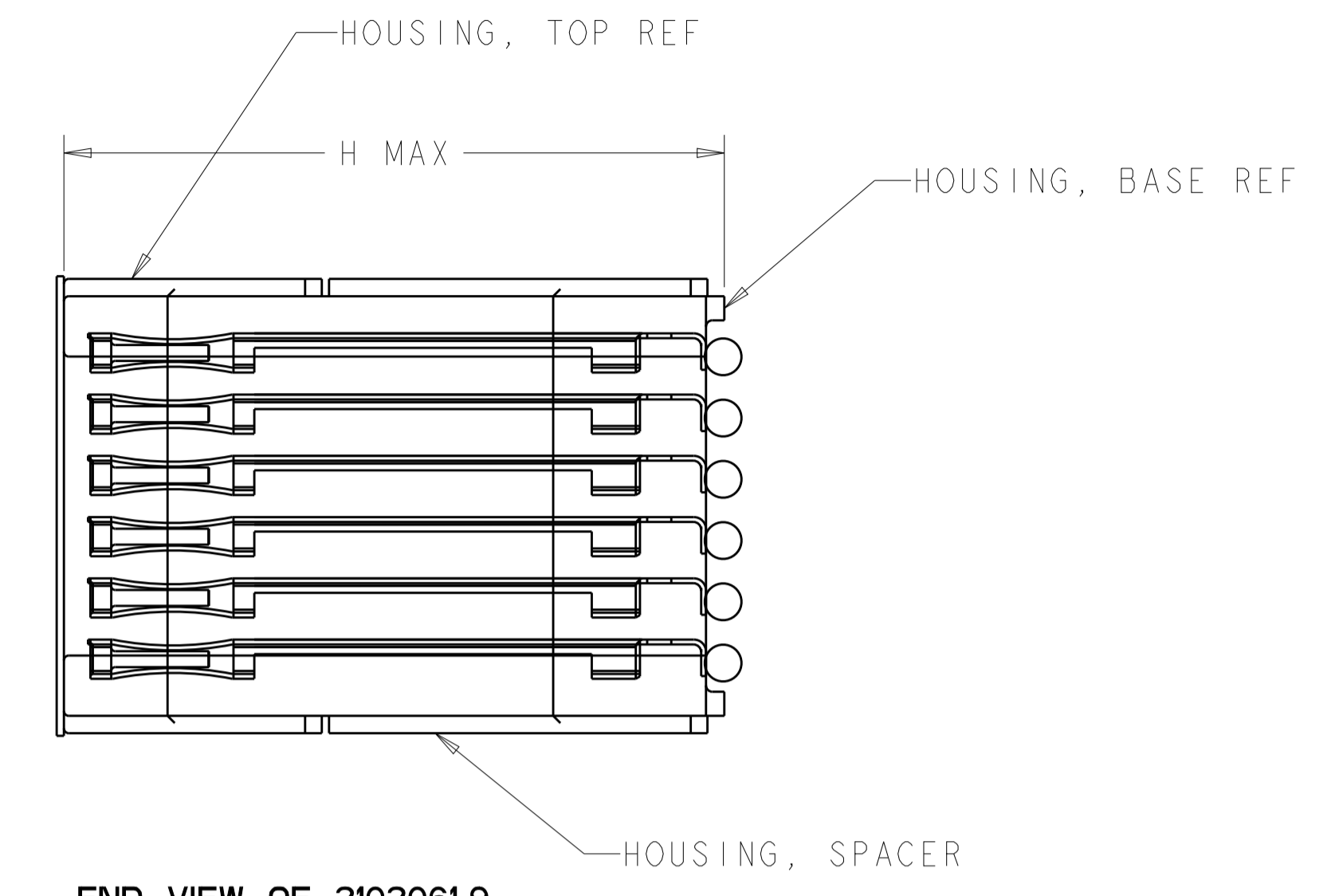
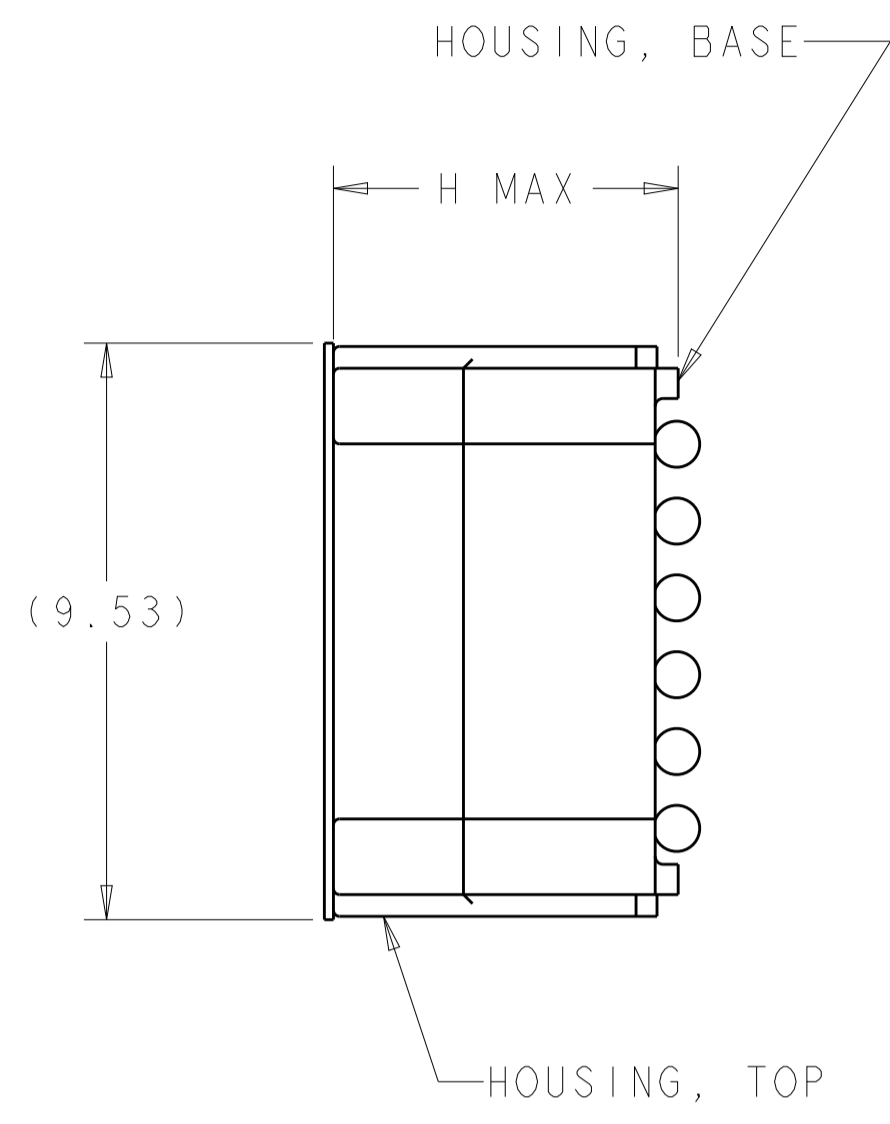
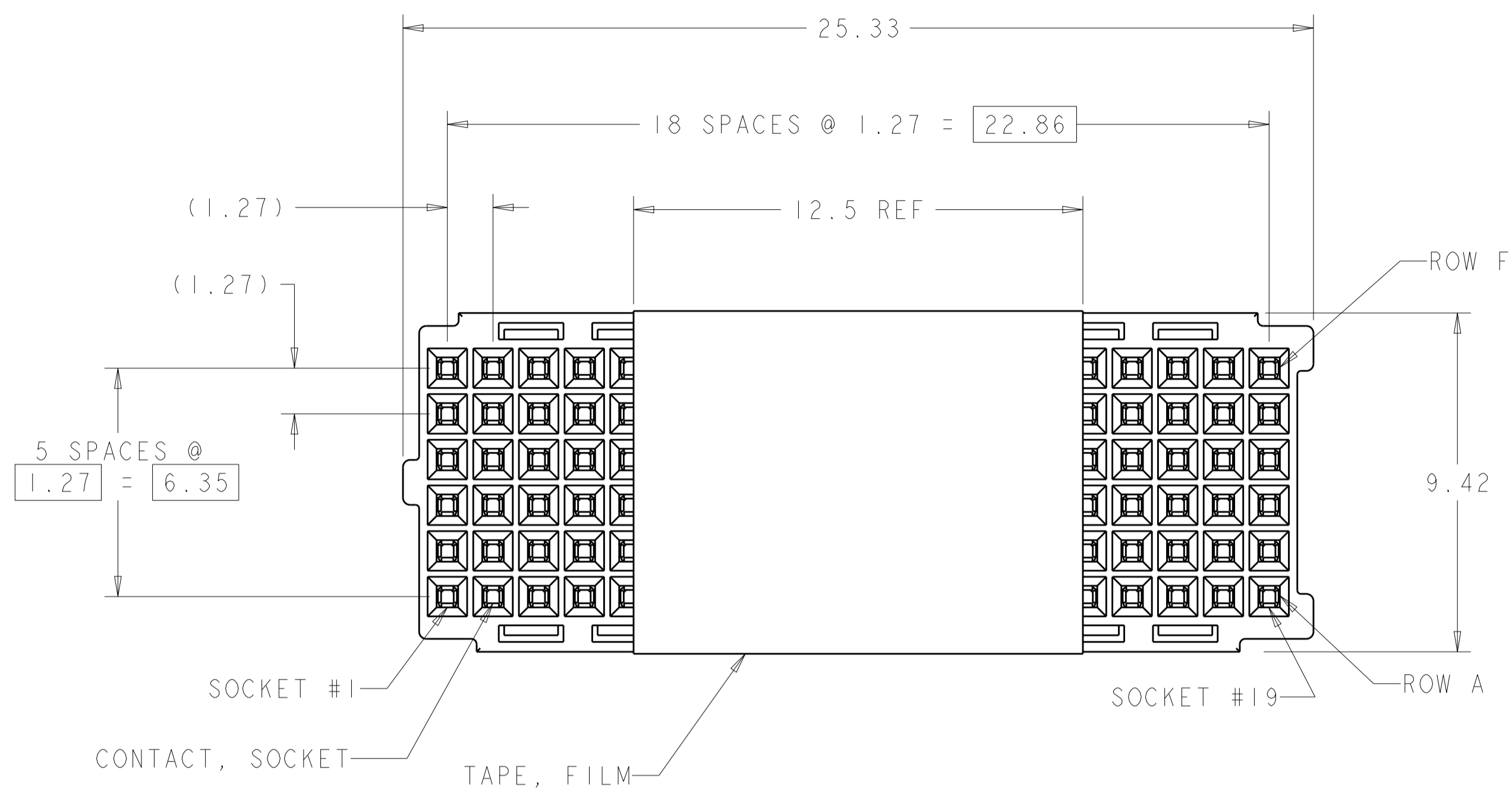


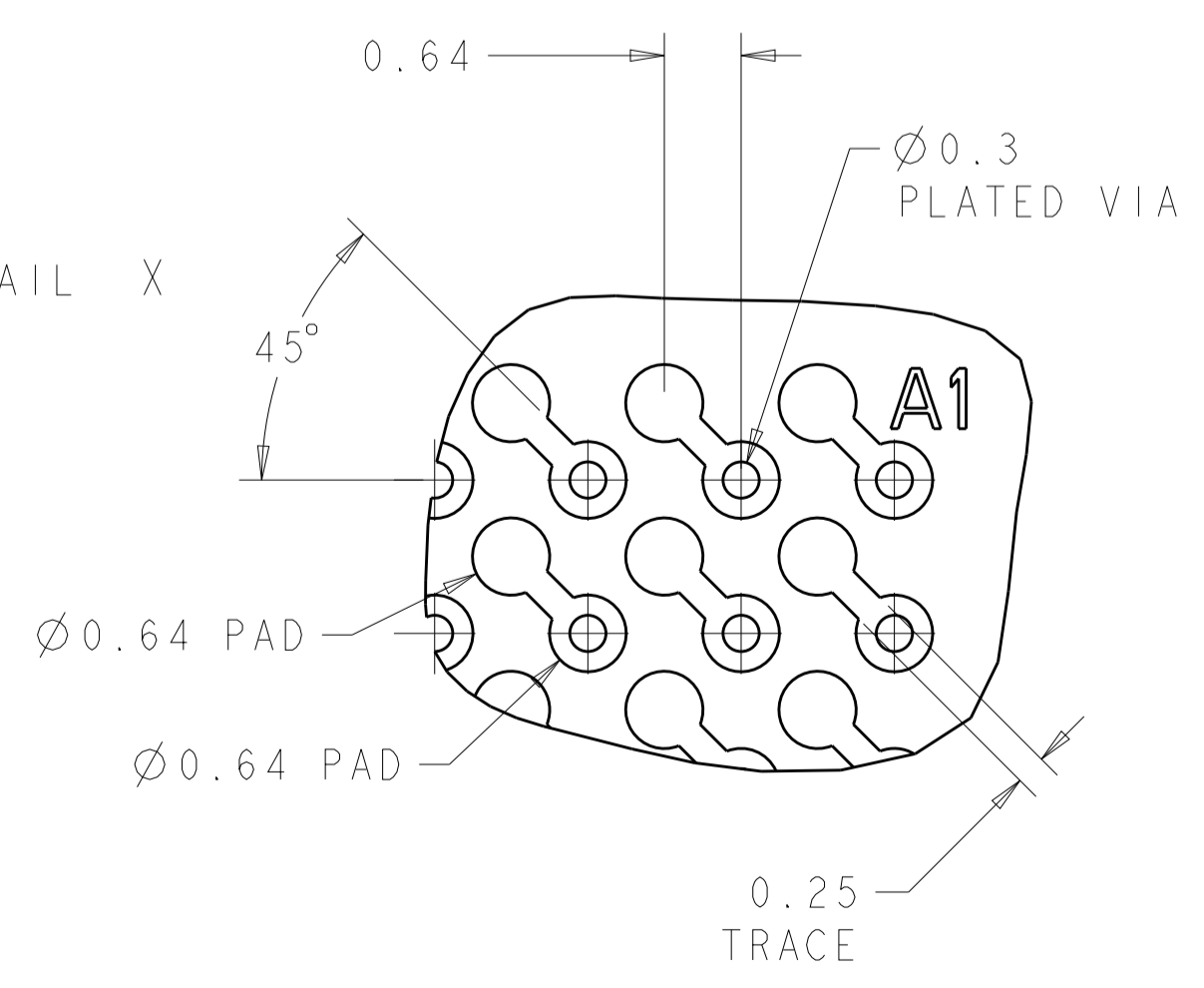
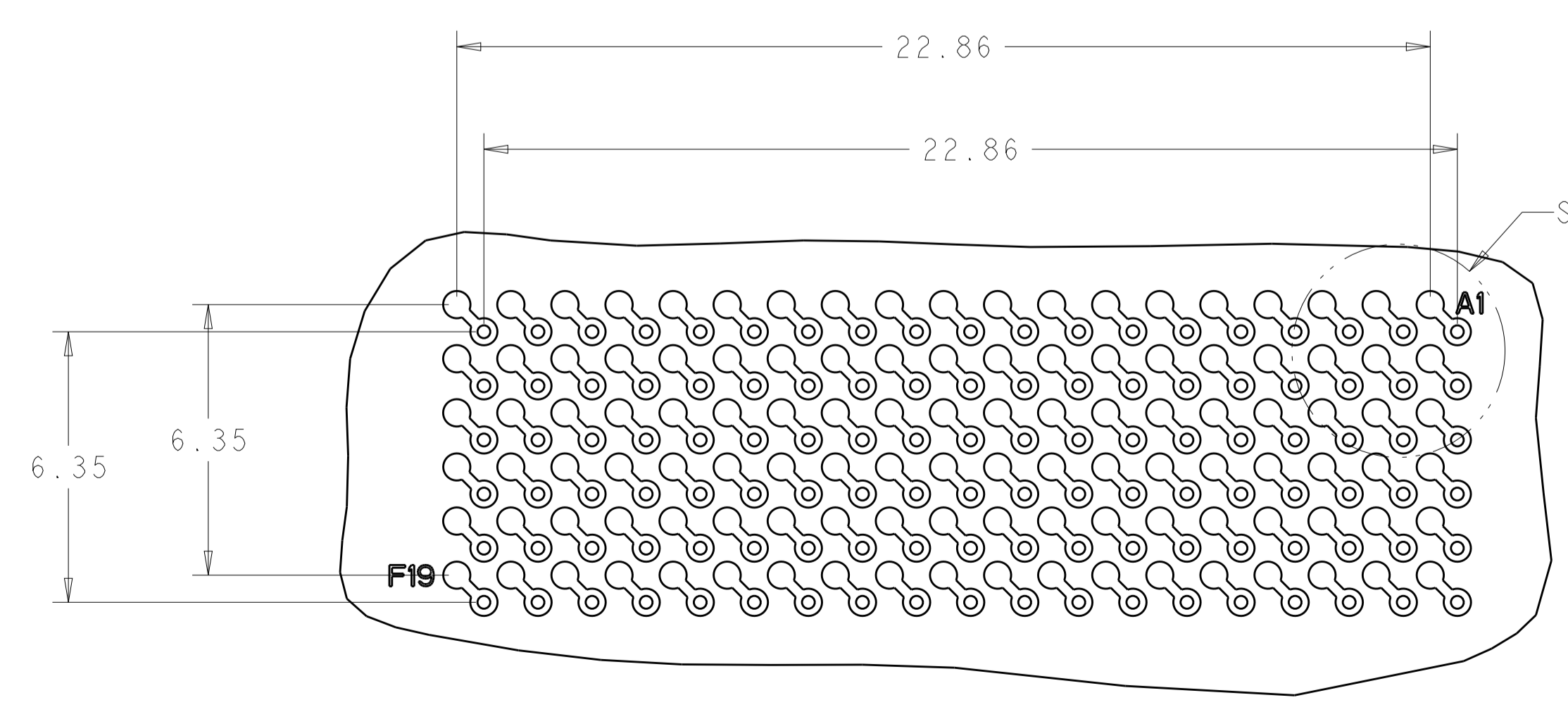
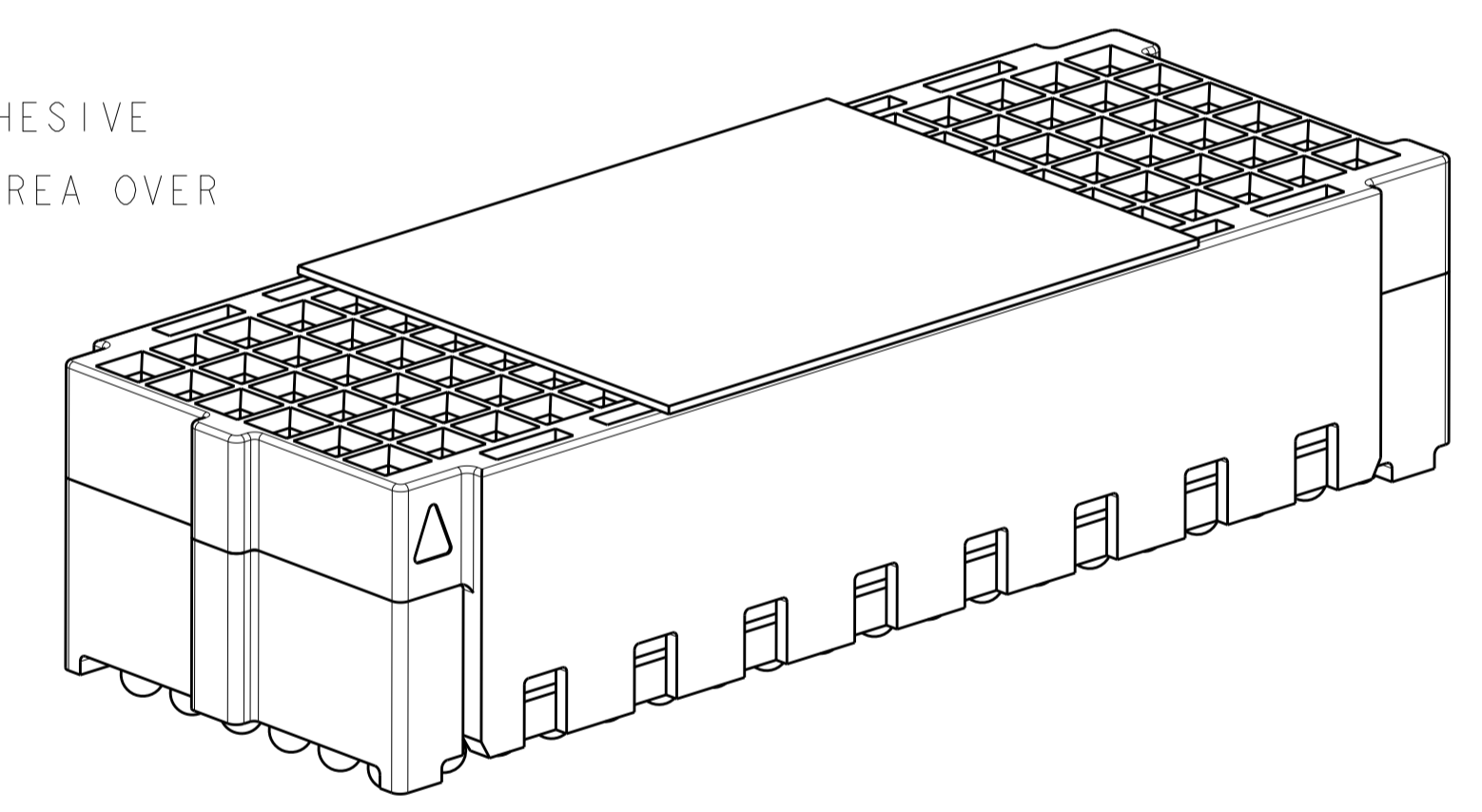
LOC	DIST	REVISIONS			
		REV	DESCRIPTION	DATE	BY
		F	REV PER ECO 12-021576	12-18-12	CT DH
		G	REV. PER ECO-13-005882	05APR2013	RJM3 DH



△ MATERIAL: HOUSINGS; LCP, COLOR-NATURAL  
CONTACT; BERYLLIUM COPPER  
SOLDER BALL; SEE TABLE  
TAPE, FILM; KAPTON WITH SILICON ADHESIVE

△ FINISH: CONTACT; GOLD (SEE TABLE) ON MATING AREA OVER  
NICKEL ON ENTIRE CONTACT.

3. PRODUCT IS PACKAGED ON TAPE AND REELED.



MATING PART NUMBER	MATED STACK HEIGHT (mm)	GOLD PLATING THICKNESS	H MAX REF	SOLDER BALL MATERIAL	PART NUMBER
2102060-4	15	0.76 $\mu$ m	11	LEAD FREE PER SAC405	1-2102061-6
2102060-3	15	0.76 $\mu$ m	11	TIN LEAD	1-2102061-5
2102060-2	15	1.27 $\mu$ m	11	LEAD FREE PER SAC405	1-2102061-4
2102060-1	15	1.27 $\mu$ m	11	TIN LEAD	1-2102061-3
2102060-4	8	0.76 $\mu$ m	14	LEAD FREE PER SAC405	1-2102061-2
2102060-3	8	0.76 $\mu$ m	14	TIN LEAD	1-2102061-1
2102060-2	18	1.27 $\mu$ m	14	LEAD FREE PER SAC405	1-2102061-0
2102060-1	18	1.27 $\mu$ m	14	TIN LEAD	2102061-9
2102060-4	12	0.76 $\mu$ m	8	LEAD FREE PER SAC405	2102061-8
2102060-3	12	0.76 $\mu$ m	8	TIN LEAD	2102061-7
2102060-4	10	0.76 $\mu$ m	6	LEAD FREE PER SAC405	2102061-6
2102060-3	10	0.76 $\mu$ m	6	TIN LEAD	2102061-5
2102060-2	12	1.27 $\mu$ m	8	LEAD FREE PER SAC405	2102061-4
2102060-1	12	1.27 $\mu$ m	8	TIN LEAD	2102061-3
2102060-2	10	1.27 $\mu$ m	6	LEAD FREE PER SAC405	2102061-2
2102060-1	10	1.27 $\mu$ m	6	TIN LEAD	2102061-1

PCB LAYOUT (CONNECTOR SIDE)  
SCALE 8:1

DETAIL X  
SCALE 16:1

THIS DRAWING IS A CONTROLLED DOCUMENT. DWG: G. DOWDY 23JUL2009  
CHK: K. DOWHOWER 23JUL2009  
APP'D: K. DOWHOWER 23JUL2009

DIMENSIONS: mm  
TOLERANCES UNLESS OTHERWISE SPECIFIED:  
0 PLC ±  
1 PLC ±0.13  
2 PLC ±  
3 PLC ±  
4 PLC ±  
ANGLES ±

MATERIAL: FINISH: △

Customer Drawing

TE Connectivity  
NAME: ASSEMBLY, SOCKET, 114 POSITION, MEZALOK STACKING CONNECTOR  
SIZE: CAGE CODE DRAWING NO: 108-2411  
114-13279  
A100779 ©=2102061  
RESTRICTED TO: -  
SCALE: 8:1 SHEET 1 OF 1 REV G

# Mouser Electronics

Authorized Distributor

Click to View Pricing, Inventory, Delivery & Lifecycle Information:

[TE Connectivity:](#)

[1-2102061-6](#)