

© 1971 BY AMP INCORPORATED. ALL RIGHTS RESERVED. AMP PRODUCTS COVERED BY PATENTS AND/OR PATENTS PENDING.

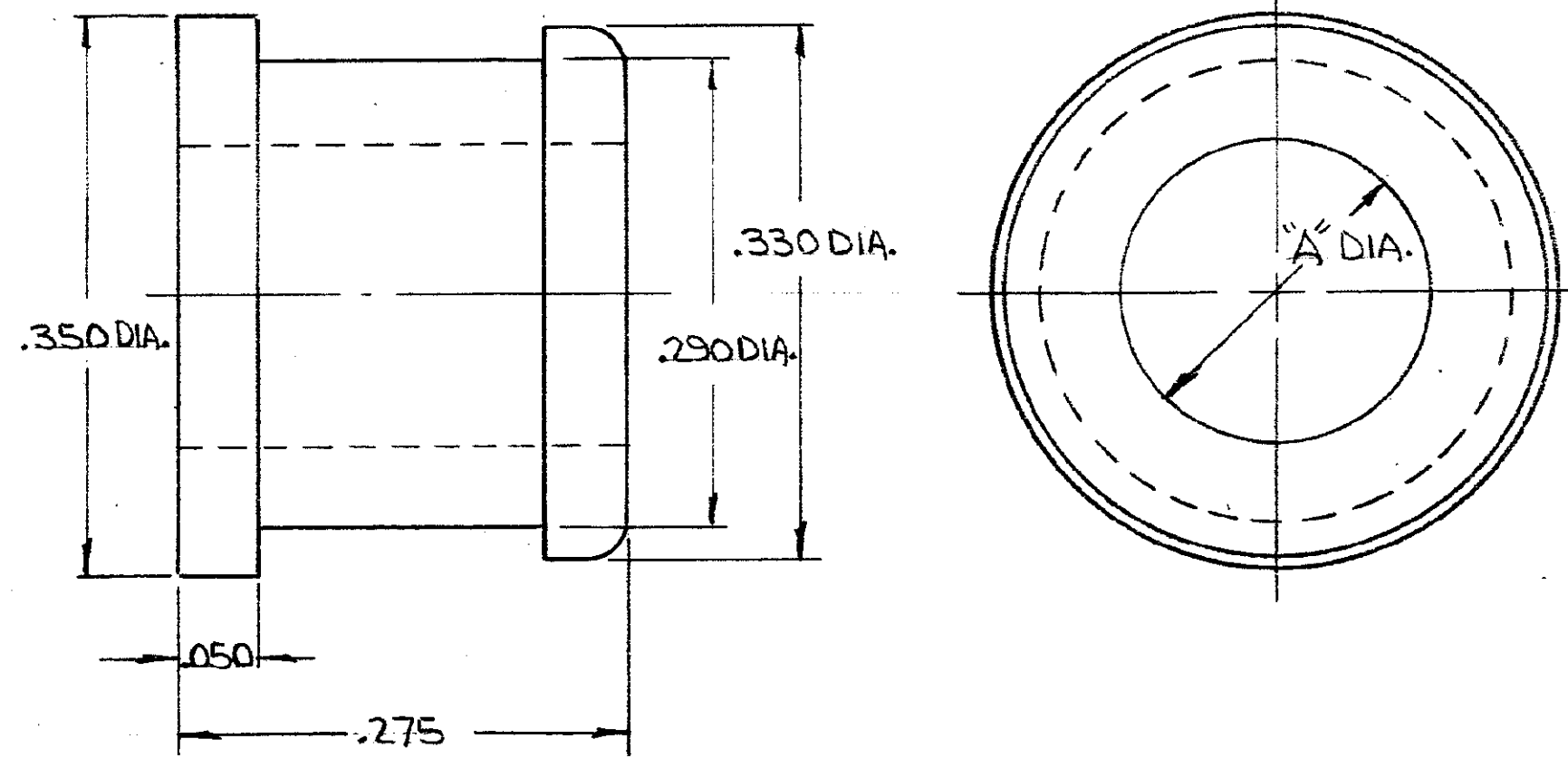
Unpublished copy not to be reproduced nor published without written permission of AMP Incorporated.

REVISIONS				
ZONE	LTR	DESCRIPTION	DATE	APPROVED
	A	REV. PER ECN C-520	9-10-73	SJS
	B	ADDED -3 PER ECN F-102	7/13/79	AHLL/jch
	C	ADDED -4 & -5 PER ECN J-791	10/28/82	TLH LK
	D	REV PER DF4728	PY 5-13-91	EJA

- 205402-1 1. AS SHOWN: (A)
2. "A" DIM. = .205
3. FOR USE WITH RG223 CABLE
- 205402-2 1. SAME AS -1 EXCEPT:
2. "A" DIA. = .182 DIA.
3. FOR USE WITH RG58C CABLE
- 205402-3 1. SAME AS -1 EXCEPT:
2. "A" DIA. = .128 DIA.
3. FOR USE WITH .141 SEMI-RIGID CABLE.

D
S
C
B
A

- 205402-4 1. SAME AS -1 EXCEPT:
2. MATERIAL: FLUROSILICONE RUBBER, BLUE.
- 205402-5 1. SAME AS -2 EXCEPT:
2. MATERIAL: FLUROSILICONE RUBBER, BLUE.



D
C
B
A

PRINT DIST
DF/AO

UNLESS OTHERWISE SPECIFIED DIMENSIONS ARE IN INCHES. TOLERANCES ON: DECIMALS ±.010 ANGLES ± #	CONTRACT NO.	AMP AMP INCORPORATED HARRISBURG, PENNSYLVANIA	
	DR. <i>8/20/71</i>		
MATERIAL SILICONE RUBBER, RED	CH. <i>8/20/71</i>	NAME SEALING BOOT, COAX	
	APPR. <i>8/20/71</i>	SIZE B	CODE IDENT. NO. 00779
	REL. <i>8/20/71</i>	NUMBER 205402	
	DSGN APPD	SCALE <i>#</i>	SHEET 1 OF 1
	OTHER APPD		

Mouser Electronics

Authorized Distributor

Click to View Pricing, Inventory, Delivery & Lifecycle Information:

[TE Connectivity:](#)

[205402-3](#)