

Customer Information Sheet

DRAWING No.: M22-532XXXXP

SHEET 2 OF 2

IF IN DOUBT - ASK

©

NOT TO SCALE

THIRD ANGLE PROJECTION

ALL DIMENSIONS IN mm

SPECIFICATIONS:

MATERIAL:
 MOULDING, PICK & PLACE CAP = NYLON 6T, UL94V-0, BLACK
 CONTACTS = PHOSPHOR BRONZE

FINISH:
 05 = GOLD
 46 = 100% TIN OVER NICKEL

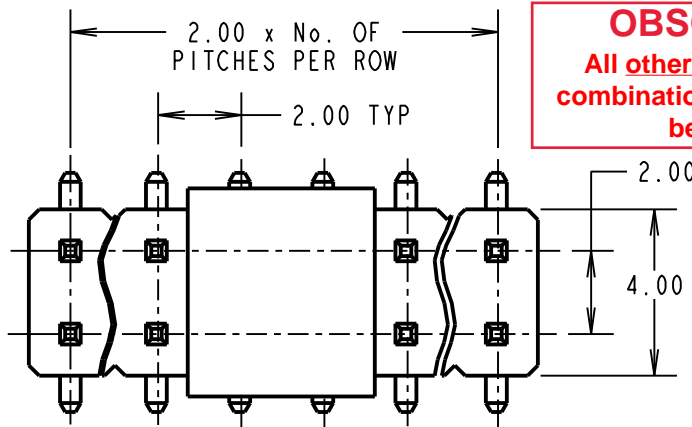
ELECTRICAL:
 CURRENT RATING = 1A
 CONTACT RESISTANCE = 20 mΩ MAX (GOLD), 30 mΩ MAX (TIN)
 INSULATION RESISTANCE = 100 MΩ MIN

MECHANICAL:
 DURABILITY = 300 OPERATIONS (GOLD), 50 OPERATIONS (TIN)
 DIELECTRIC STRENGTH = 650V AC/DC

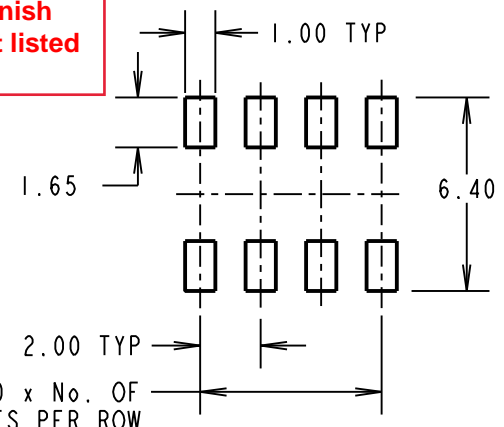
ENVIRONMENTAL:
 TEMPERATURE RANGE = -40°C TO +105°C

PACKING:
 TUBE

FOR COMPLETE SPECIFICATION, SEE COMPONENT SPECIFICATION CO18XX (LATEST ISSUE)



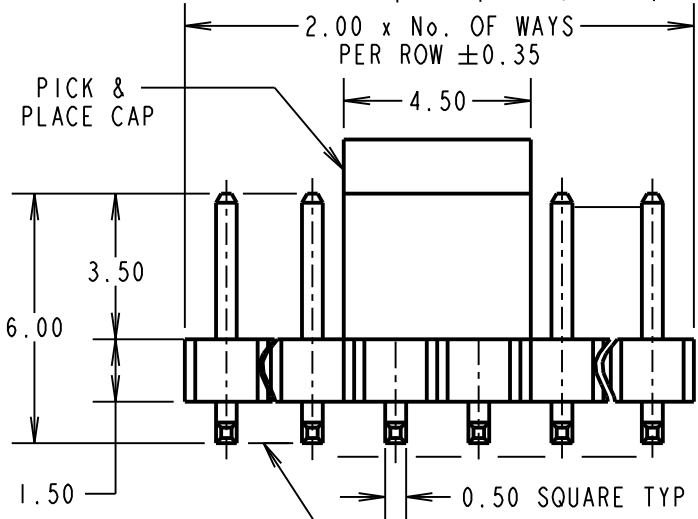
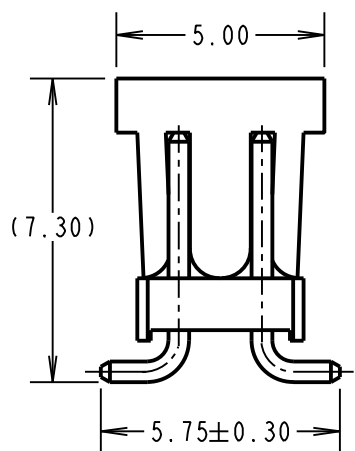
OBSOLETE
 All other size/finish combinations not listed below



RECOMMENDED PCB LAYOUT

Active products:
M22-5320305P
M22-5322205P

No OF CONTACTS	COPLANARITY TOLERANCE
2x02 TO 2x12	0.10mm MAX
2x13 TO 2x20	0.15mm MAX
2x21 TO 2x25	0.20mm MAX



COPLANAR SEE TABLE

ORDER CODE:
M22-532XXXXP

No. OF WAYS PER ROW _____
 02-25

FINISH _____
 05 - GOLD
 46 - 100% TIN OVER NICKEL

SM	13	17.11.10	11011
NAME	ISS.	DATE	C/NOTE
APPROVED: S. MCCULLAGH			
CHECKED: R. ADDE			
DRAWN: A. LIOTTA			
CUSTOMER REF.:			
ASSEMBLY DRG:			

- NOTES:**
- ALL TOLERANCES ARE ±0.25 UNLESS OTHERWISE STATED.
 - SEE DRAWING M22-532XXXXR FOR TAPE & REELED VERSION, M22-532XXXX FOR STANDARD PRODUCT.
 - CO-PLANARITY: FLATNESS OF SMT TAILS MUST NOT EXCEED VALUES GIVEN IN TABLE.



HARWIN USA TEL: 603 893 5376 FAX: 603 893 5396 mis@harwin.com	HARWIN Europe (UK) TEL: 023 9231 4545 FAX: 023 9231 4590 mis@harwin.co.uk	HARWIN Asia TEL: +65 6 779 4909 FAX: +65 6 779 3868 mis@harwin.com.sg
--	--	--

THIS DRAWING AND ANY INFORMATION OR DESCRIPTIVE MATTER SET OUT HEREON ARE CONFIDENTIAL AND COPYRIGHT PROPERTY OF THE HARWIN GROUP AND MUST NOT BE DISCLOSED, LOANED, COPIED OR USED FOR MANUFACTURING, TENDERING OR FOR ANY OTHER PURPOSE WITHOUT THEIR WRITTEN PERMISSION.

TOLERANCES

X = ±1mm
X.X = ±0.25mm
X.XX = ±0.10mm
X.XXX = ±0.01mm
ANGLES = ±5°
UNLESS STATED

MATERIAL:
 SEE ABOVE

FINISH:
 SEE ABOVE

S/AREA: mm²

TITLE: 2.00mm PITCH DIL SMT PIN HEADER ASSEMBLY (WITH PICK & PLACE CAP)

DRAWING NUMBER:
M22-532XXXXP

SHT 2 OF 2