

40.7	38	42	40
38.7	36	40	38
36.7	34	38	36
34.7	32	36	34
32.7	30	34	32
30.7	28	32	30
28.7	26	30	28
26.7	24	28	26
24.7	22	26	24
22.7	20	24	22
20.7	18	22	20
18.7	16	20	18
16.7	14	18	16
14.7	12	16	14
12.7	10	14	12
10.7	8	12	10
C	B	A	極数 CIRCUIT SIZE

TABLE 1

番号 No.	部品 PART	材質 MATERIAL
①	ターミナル TERMINAL	黄銅, BRASS
	コンタクト CONTACT	銅めっき 1.0 micro-meter MIN. COPPER PLATING 1.0 micro-meter MIN.
	テール SOLDER TAIL	無光沢錫めっき(リフロー処理) 1.0 micro-meter MIN. MATTE TIN PLATING (REFLOW TREATMENT) 1.0 micro-meter MIN.
②	ハウジング HOUSING	ポリアミド(PA)ガラス入り, UL94V-0, 色: SEE CHART POLYAMIDE(PA) GLASS FILLED, UL94V-0, COLOR : SEE CHART

THIS DRAWING CONTAINS INFORMATION THAT IS PROPRIETARY TO MOLEX ELECTRONIC TECHNOLOGIES, LLC AND SHOULD NOT BE USED WITHOUT WRITTEN PERMISSION

DIMENSION UNITS	SCALE	CURRENT REV DESC: RELEASED	
mm	NTS		
GENERAL TOLERANCES (UNLESS SPECIFIED)			
ANGULAR TOL	± 3.0°	EC NO: 617720	
4 PLACES	± 0.2	DRWN: SNAKAMURA08	2019/05/09
3 PLACES	± 0.2	CHK'D: SAKIYAMA	2019/05/23
2 PLACES	± 0.2	APPR: KOMURAKAMI	2019/05/24
1 PLACE	± 0.2	INITIAL REVISION:	
0 PLACES	± 0.2	DRWN: SNAKAMURA08	2019/05/09
DRAFT WHERE APPLICABLE MUST REMAIN WITHIN DIMENSIONS		APPR: KOMURAKAMI	2019/05/24
THIRD ANGLE PROJECTION		DRAWING	SERIES
		A3-SIZE	501645
MATERIAL NUMBER		CUSTOMER	SHEET NUMBER
5016450000-SD		GENERAL	1 OF 3

molex

IGRID 2.0 PLUG ASSEMBLY
VERTICAL TIN PLATING

PRODUCT CUSTOMER DRAWING

DOCUMENT NUMBER: 5016450000-SD | DOC TYPE: PSD | DOC PART: 000 | REVISION: A

NOTES.

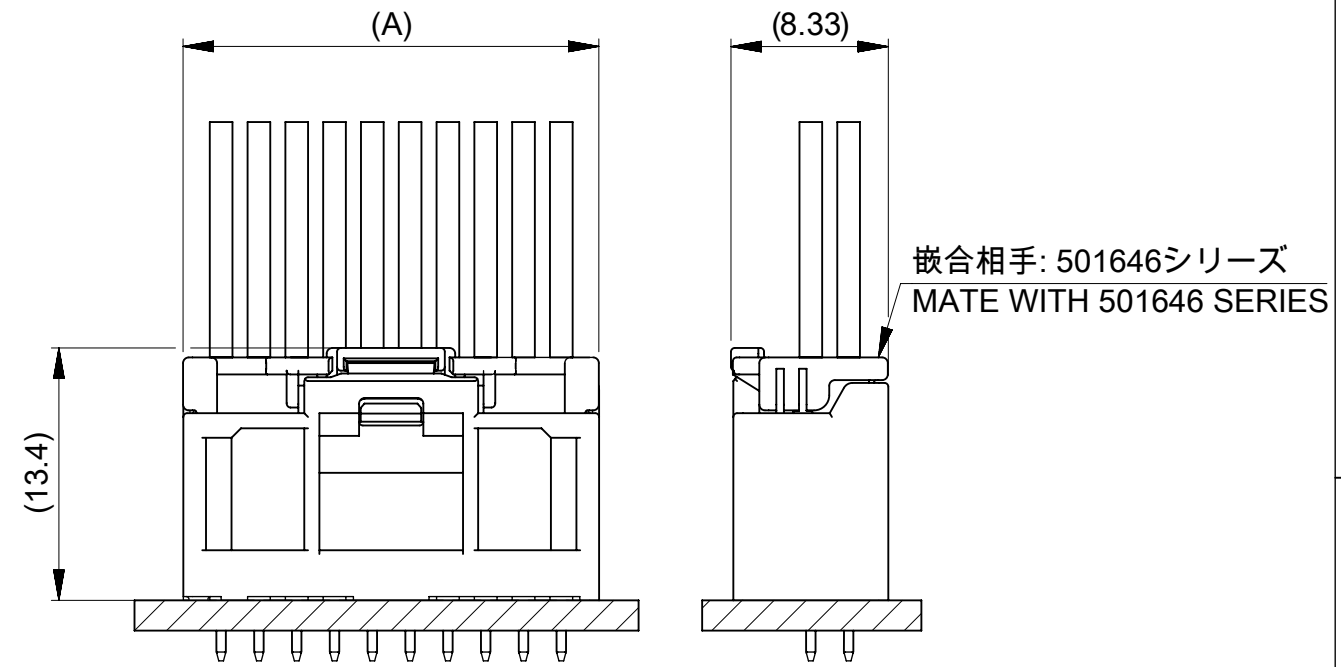
- 1. 材料及び仕上げ(めっき仕様) : TABLE 1 参照
MATERIAL AND FINISHES : SEE TABLE 1
- 2. 製品仕様書 : PS-501646-001
PRODUCT SPECIFICATION:PS-501646-001
- 3. 嵌合相手:
MATES WITH:

リセプタクルハウジング RECEPTACLE HOUSING	501646 SERIES	
圧着端子 RECEPTACLE CRIMP TERMINAL	AWG #22-26 錫めっき AWG #22-26 TIN PLATING	501647 SERIES
	AWG #26-28 錫めっき AWG #26-28 TIN PLATING	501648 SERIES

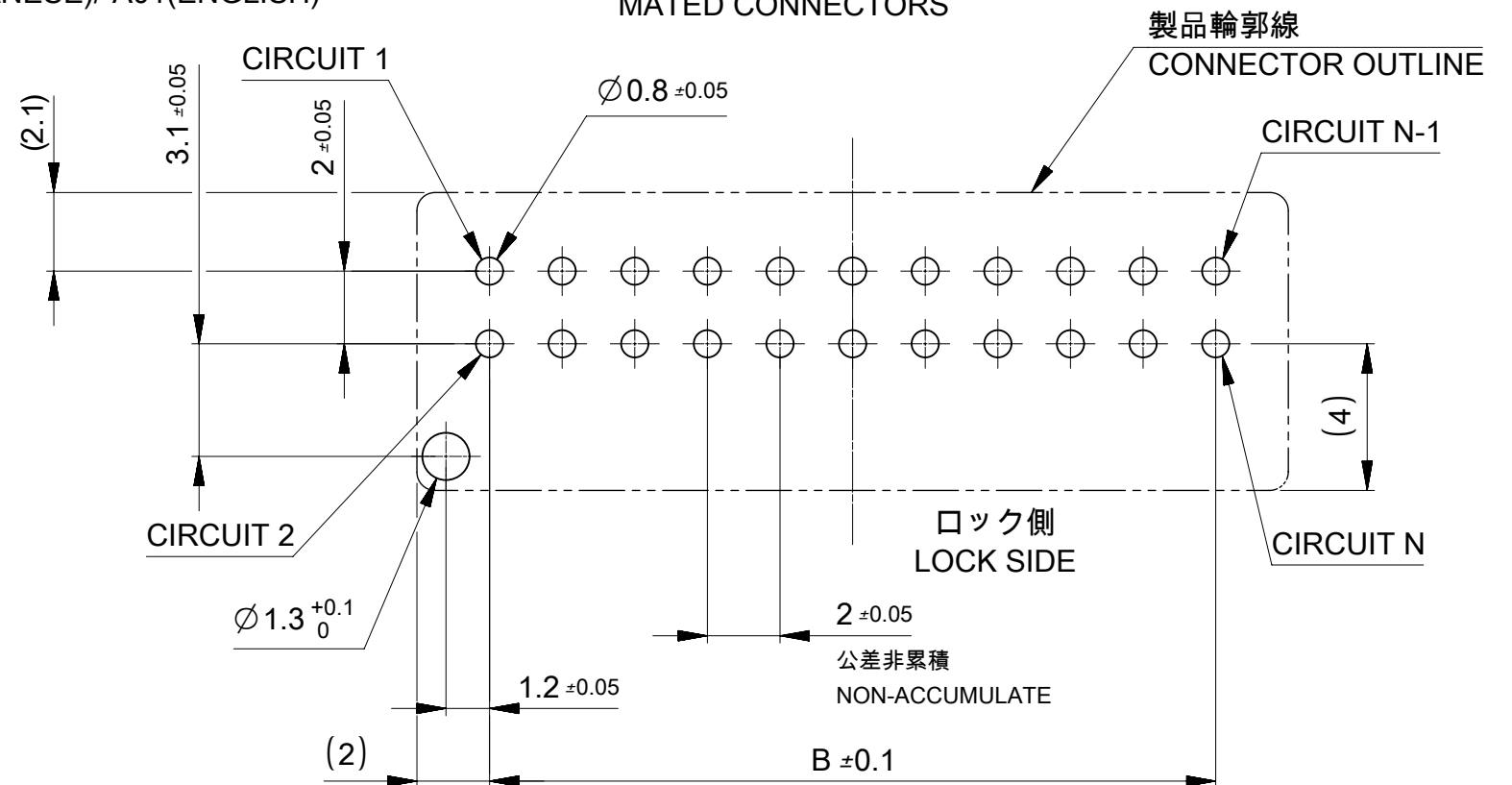
- 4. アプリケーション仕様書(コネクタ取扱い説明書) : 5016460000/PS/A00(日本語版)/-A01(英語版)
APPLICATION SPECIFICATION(CONNECTOR MANNUAL): 5016460000/PS/A00(JAPANESE)/-A01(ENGLISH)
- 5. 本製品は錫めっき品です。
THIS PRODUCT IS A TIN PLATING.
- 6. 極数/2 = 偶数に適応
APPLY FOR CIRCUIT SIZE / 2 =EVEN
- 7. ターミナルに錫めっきを使用している為、外観に摺動痕が付く場合があります。
THE WOUND OF FRICTION MIGHT ADHERE TO EXTERNALS
BECAUSE THE TIN PLATING IS USED FOR TERMINAL.
- 8. 梱包仕様書: SPK-501645-001
PACKING INFORMATION : SPK-501645-001
- 9. 発注番号 : SHEET 3 参照
ORDER No. : PLEASE REFER TO SHEET 3 FOR PRODUCT LIST

501645 **2*

極数 CIRCUIT SIZE	ハウジングカラー HOUSING COLOR
	0:ナチュラル NATURAL
	1:黒 BLACK
	2:赤 RED
	3:黄 YELLOW
	4:青 BLUE
	5:桃 PINK
	6:緑 GREEN
	7:茶 BROWN
	8:橙 ORANGE
	9:紫 BIOLET



嵌合状態図
MATED CONNECTORS



基板取付穴推奨寸法(マウント面)

POLARIZED RECOMMENDED PWB LAYOUT HOLE DIMENSION (MOUNTING SIDE)

参考基板厚 t=1.2~1.6

REFERENCE PWB THICKNESS t=1.2~1.6

THIS DRAWING CONTAINS INFORMATION THAT IS PROPRIETARY TO MOLEX ELECTRONIC TECHNOLOGIES, LLC AND SHOULD NOT BE USED WITHOUT WRITTEN PERMISSION		CURRENT REV DESC: RELEASED		molex	
DIMENSION UNITS	SCALE				
mm	NTS			PRODUCT CUSTOMER DRAWING	
GENERAL TOLERANCES (UNLESS SPECIFIED)		EC NO: 617720		DOCUMENT NUMBER	
ANGULAR TOL	± 3.0 °	DRWN: SNAKAMURA08 2019/05/09		5016450000-SD	
4 PLACES	± 0.2	CHK'D: SAKIYAMA 2019/05/23		DOC TYPE	DOC PART
3 PLACES	± 0.2	APPR: KOMURAKAMI 2019/05/24		PSD	000
2 PLACES	± 0.2	INITIAL REVISION:		REVISION	
1 PLACE	± 0.2	DRWN: SNAKAMURA08 2019/05/09		A	
0 PLACES	± 0.2	APPR: KOMURAKAMI 2019/05/24			
DRAFT WHERE APPLICABLE MUST REMAIN WITHIN DIMENSIONS		THIRD ANGLE PROJECTION	DRAWING	SERIES	MATERIAL NUMBER
			A3-SIZE	501645	SEE SHEET 3
		CUSTOMER	SHEET NUMBER		
		GENERAL	2 OF 3		

△₉ 製品一覧 PRODUCT LIST

青: BLUE	黄: YELLOW	赤: RED	黒: BLACK	ナチュラル: NATURAL	HOUSING COLOR
501645 4024	501645 4023	501645 4022	501645 4021	501645 4020	40
↑ 3824	↑ 3823	↑ 3822	↑ 3821	↑ 3820	38
3624	3623	3622	3621	3620	36
3424	3423	3422	3421	3420	34
3224	3223	3222	3221	3220	32
3024	3023	3022	3021	3020	30
2824	2823	2822	2821	2820	28
2624	2623	2622	2621	2620	26
2424	2423	2422	2421	2420	24
2224	2223	2222	2221	2220	22
2024	2023	2022	2021	2020	20
1824	1823	1822	1821	1820	18
1624	1623	1622	1621	1620	16
↓ 1424	↓ 1423	↓ 1422	↓ 1421	↓ 1420	14
↓ 1224	↓ 1223	↓ 1222	↓ 1221	↓ 1220	12
501645 1024	501645 1023	501645 1022	501645 1021	501645 1020	10

発注番号 ORDER No.

極数

PACKAGING STYLE : TRAY

CIRCUIT SIZE

紫: VIOLET	橙: ORANGE	茶: BROWN	緑: GREEN	桃: PINK	HOUSING COLOR
501645 4029	501645 4028	501645 4027	5016454026	501645 4025	40
↑ 3829	↑ 3828	↑ 3827	↑ 3826	↑ 3825	38
3629	3628	3627	3626	3625	36
3429	3428	3427	3426	3425	34
3229	3228	3227	3226	3225	32
3029	3028	3027	3026	3025	30
2829	2828	2827	2826	2825	28
2629	2628	2627	2626	2625	26
2429	2428	2427	2426	2425	24
2229	2228	2227	2226	2225	22
2029	2028	2027	2026	2025	20
1829	1828	1827	1826	1825	18
1629	1628	1627	1626	1625	16
↓ 1429	↓ 1428	↓ 1427	↓ 1426	↓ 1425	14
↓ 1229	↓ 1228	↓ 1227	↓ 1226	↓ 1225	12
501645 1029	501645 1028	501645 1027	501645 1026	501645 1025	10

発注番号 ORDER No.

極数

PACKAGING STYLE : TRAY

CIRCUIT SIZE

THIS DRAWING CONTAINS INFORMATION THAT IS PROPRIETARY TO MOLEX ELECTRONIC TECHNOLOGIES, LLC AND SHOULD NOT BE USED WITHOUT WRITTEN PERMISSION		CURRENT REV DESC: RELEASED		molex	
DIMENSION UNITS	SCALE	EC NO: 617720			
mm	NTS	DRWN: SNAKAMURA08 2019/05/09		IGRID 2.0 PLUG ASSEMBLY VERTICAL TIN PLATING	
GENERAL TOLERANCES (UNLESS SPECIFIED)		CHK'D: SAKIYAMA 2019/05/23		PRODUCT CUSTOMER DRAWING	
ANGULAR TOL	± 3.0 °	APPR: KOMURAKAMI 2019/05/24		DOCUMENT NUMBER	
4 PLACES	± 0.2	INITIAL REVISION:		DOC TYPE	
3 PLACES	± 0.2	DRWN: SNAKAMURA08 2019/05/09		DOC PART	
2 PLACES	± 0.2	APPR: KOMURAKAMI 2019/05/24		REVISION	
1 PLACE	± 0.2	MATERIAL NUMBER		5016450000-SD	
0 PLACES	± 0.2	CUSTOMER		PSD	
DRAFT WHERE APPLICABLE MUST REMAIN WITHIN DIMENSIONS		THIRD ANGLE PROJECTION	DRAWING	SERIES	SHEET NUMBER
			A3-SIZE	501645	3 OF 3

注記
NOTES

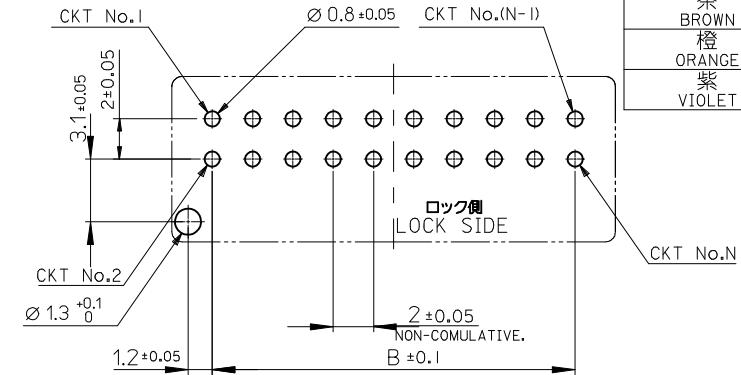
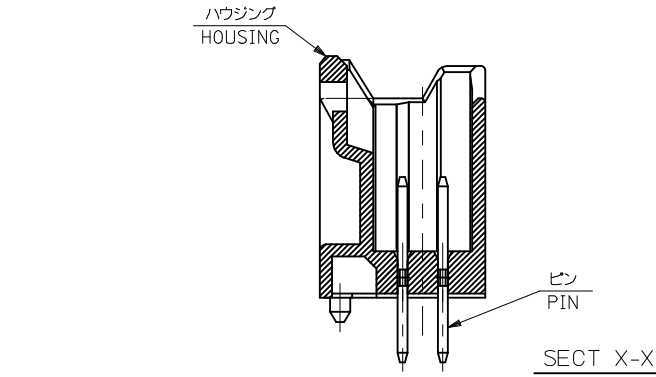
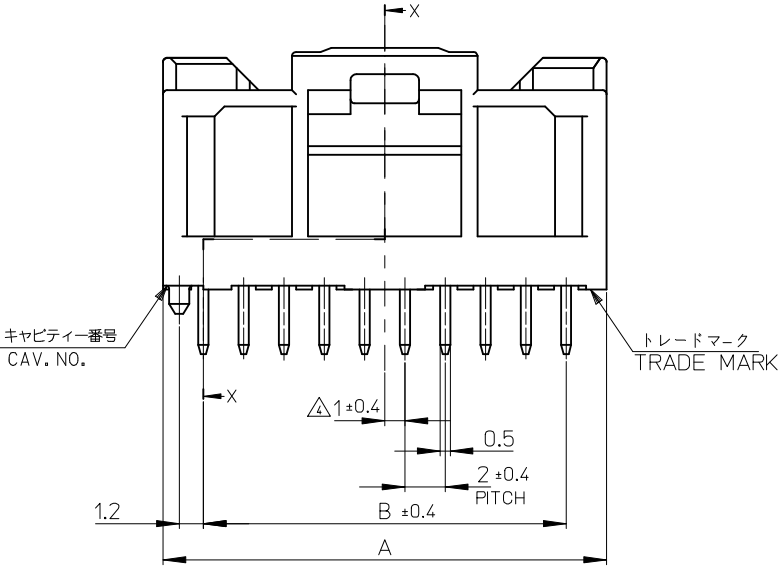
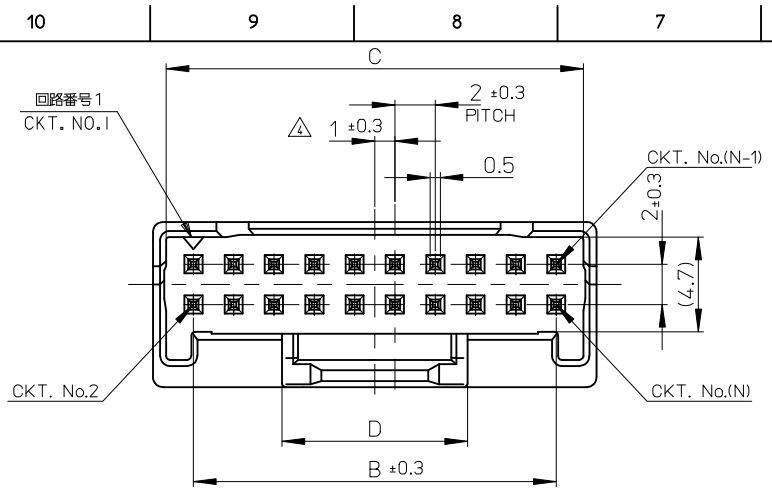
- 材料 MATERIAL
ピン : 黄銅, 銅下地鍍メッキ
PIN : BRASS, REFLOWED TIN OVER COPPER PLATED
ハウジング : 66ナイロン(ガラス入り), UL94V-0
HOUSING : 66NYLON (G.F.), UL94V-0
- 嵌合相手 MATES WITH

REC. CRIMP HOUSING	501646 SERIES
REC. CRIMP TERMINAL	
AWG #22-26 TIN PLATING	501647 SERIES
AWG #26-28 TIN PLATING	501648 SERIES

△ 製品番号
MATERIAL NO.
501645-2***
極数 CIRCUIT SIZE | 色 COLOR

- (全極数/2) = 偶数の場合に適用。
APPLY FOR (CIRCUIT/2)=EVEN
- ELV及びRoHS 適合品
ELV AND ROHS COMPLIANT.

ナチュラル NATURAL	0
黒 BLACK	1
赤 RED	2
黄 YELLOW	3
青 BLUE	4
桃 PINK	5
緑 GREEN	6
茶 BROWN	7
橙 ORANGE	8
紫 VIOLET	9



基板取付穴推奨寸法 (マウント面)
RECOMMENDED P.C. BOARD
HOLE DIMENSION
(MOUNTING SIDE)
(t=1.2~1.6)

9.2	40.7	38	42	501645-402*	40
9.2	38.7	36	40	-382*	38
9.2	36.7	34	38	-362*	36
9.2	34.7	32	36	-342*	34
9.2	32.7	30	34	-322*	32
9.2	30.7	28	32	-302*	30
9.2	28.7	26	30	-282*	28
9.2	26.7	24	28	-262*	26
9.2	24.7	22	26	-242*	24
9.2	22.7	20	24	-222*	22
9.2	20.7	18	22	-202*	20
9.2	18.7	16	20	-182*	18
9.2	16.7	14	18	-162*	16
9.2	14.7	12	16	-142*	14
9.2	12.7	10	14	-122*	12
7.3	10.7	8	12	501645-102*	10

REVISED EC NO: J2017-0032 DRWN:IDA 2016/07/01 CHKD:SAKIYAMA 2016/07/01 APPR:KANAKO 2016/07/12	GENERAL TOLERANCES (UNLESS SPECIFIED)		DIMENSION STYLE MM ONLY		SCALE 4:1		DESIGN UNITS METRIC		THIRD ANGLE PROJECTION	
	0.25 UNDER	UNDER	±0.03	DRAWN BY N. ITO	DATE 05/07/04	TITLE IGRID 2.0MM W/B DUAL DIP PLUG ASSY ST(WITH BOSS)				
	0.25 OVER	0.5 UNDER	±0.05	CHECKED BY ASAKAWA	DATE 05/07/04					
	0.5 OVER	1.0 UNDER	±0.1	APPROVED BY ICHIKAWA	DATE 05/07/04					
	1.0 OVER	10 UNDER	±0.2	MATERIAL NO. 501645-**2*	DOCUMENT NO. SD-501645-001					
10 OVER	30 UNDER	±0.25	SIZE A3		THIS DRAWING CONTAINS INFORMATION THAT IS PROPRIETARY TO MOLEX ELECTRONIC TECHNOLOGIES, LLC AND SHOULD NOT BE USED WITHOUT WRITTEN PERMISSION					
30 OVER		±0.3	DRAFT WHERE APPLICABLE MUST REMAIN WITHIN DIMENSIONS							