

D2 - SERIES

SPECIFICATIONS AND ORDERING INFORMATION

1" DIAMETER 0.55 AMP @ 28 VDC

The D2 Series switch is used where space is at a premium. This dual-ball side thrust index offers exceptional torque control and is available in 30°, 36°, 45°, and 60° angles. Standard designs utilize diallyl phthalate or ceramic insulation, solder lug terminals, and 30° adjustable stop indexing.



SPECIFICATIONS

ELECTRICAL

Current and Voltage Rating: Make and break resistive load
0.55 amp @ 28 VDC; 0.25 amp @ 115 VAC.
Current Carrying Capacity: 7 amps.
Dielectric Strength: 750 VAC between current carrying parts and ground.
Contact Resistance: Average initial 5 milliohms.
Insulation Resistance: Diallyl in excess of 900,000 megohms.
Glass in excess of 750,000 megohms.
Ceramic in excess of 1,000,000 megohms.
Hardware: Mounting nut and lockwasher are shipped assembled.

MECHANICAL

Materials and Finishes: All parts utilize non-corrosive materials as standard.
Clips and Rotors: Brass with silver plate as standard.
Insulation: Diallyl phthalate, glass, or ceramic.
Index: Dual-ball, side thrust design.
Index Life: 25,000 cycles minimum.
Index Torque: Switches have lowest practical torque consistent with crisp detenting and smooth, reliable operation.
Index Angles: Positive 30° standard, 36°, 45°, and 60° available.
Index Stops: Adjustable standard, fixed or continuous.
Stop Strength: 10 in. lbs. minimum.

STANDARD PART NUMBER

DIALLYL PHTHALATE INSULATION - ADJUSTABLE STOPS

SWITCHES - SOLDER LUG TERMINALS - 30° INDEX - SET @ 2 POS.

| POLES | ACTIVE POSITIONS | POLES/SECTION | NO. OF SECTIONS | SHORTING | NON-SHORTING | FIG. * |
|-------|------------------|---------------|-----------------|----------|--------------|--------|
| 01 | 02-12 | 1 | 1 | D2D0112S | D2D0112N | DE |
| 02 | 02-06 | 2 | 1 | D2D0206S | D2D0206N | DL |
| 02 | 02-12 | 1 | 2 | D2D0212S | D2D0212N | DE |
| 03 | 02-05 | 3 | 1 | D2D0305S | D2D0305N | DO |
| 03 | 02-12 | 1 | 3 | D2D0312S | D2D0312N | DE |
| 04 | 02-06 | 2 | 2 | D2D0406S | D2D0406N | DL |
| 06 | 02-05 | 3 | 2 | D2D0605S | D2D0605N | DO |
| 06 | 02-06 | 2 | 3 | D2D0606S | D2D0606N | DL |

CERAMIC INSULATION - ADJUSTABLE STOPS

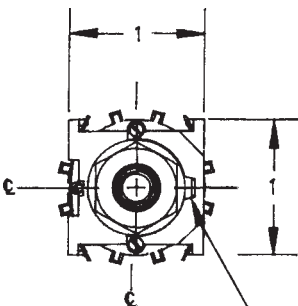
SWITCHES - SOLDER LUG TERMINALS - 30° INDEX - SET @ 2 POS. - 1/8 DIA. SHAFT

| POLES | ACTIVE POSITIONS | POLES/SECTION | NO. OF SECTIONS | SHORTING | NON-SHORTING | FIG. * |
|-------|------------------|---------------|-----------------|----------|--------------|--------|
| 01 | 02-11 | 1 | 1 | D2C0111S | D2C0111N | DB |
| 02 | 02-05 | 2 | 1 | D2C0205S | D2C0205N | DG |
| 02 | 02-11 | 1 | 2 | D2C0211S | D2C0211N | DB |
| 03 | 02-03 | 3 | 1 | D2C0303S | D2C0303N | DN |
| 03 | 02-11 | 1 | 3 | D2C0311S | D2C0311N | DB |
| 04 | 02-05 | 2 | 2 | D2C0405S | D2C0405N | DG |
| 06 | 02-05 | 2 | 3 | D2C0605S | D2C0605N | DG |
| 06 | 02-03 | 3 | 2 | D2C0603S | D2C0603N | DN |

* FIGURES ARE SHOWN ON PAGES 55 AND 56.

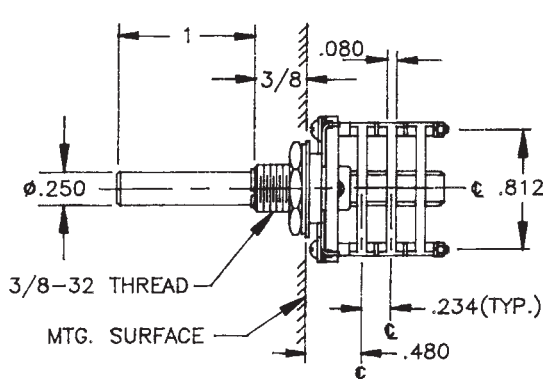
DIMENSIONS

STANDARD CONSTRUCTION

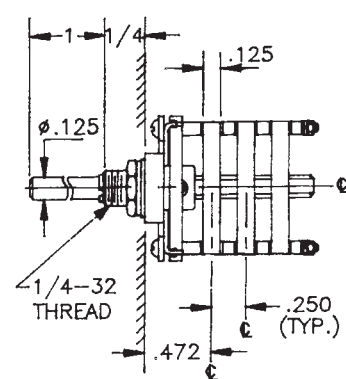


NON-TURN LUG
.125W X .035 THK.
.375 FROM ϵ
.063 ENGAGEMENT

D2D DIALLYL PHTHALATE INSULATION



D2C CERAMIC INSULATION



How to Order Additional Options:

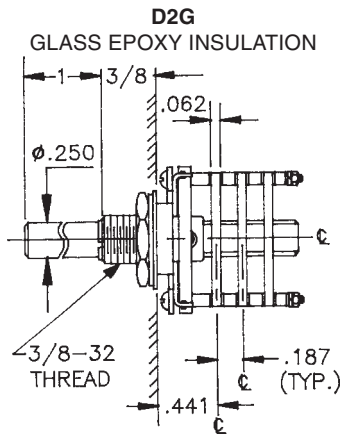
| 2 DIGIT SERIES | INSULATION TYPE | TOTAL POLES | ACTIVE POSITIONS | CONTACT TYPE | TERMINAL TYPE | INDEX ANGLE | STOP TYPE | SHAFT/ BUSHING | SHAFT FLAT |
|----------------|---|-------------|--|----------------------------------|---|--------------------------|------------------------------------|----------------|---------------|
| D2 | D - DIALLYL (30°, 45°, 60°) G - GLASS (30°, 36°, 45°, 60°) | 01 - MIN. | 12 - MAX @ 30° 10 - MAX @ 36° 08 - MAX @ 45° 06 - MAX @ 60° | S - SHORTING N - NON SHORTING | L - SOLDER LUG V - VERT. P.C. 30° R - (REAR P.C. NOT CERAMIC) | 30° 36° 45° 60° | A - ADJ. F - FIXED C - CONT. | SEE CHART "A" | SEE CHART "B" |
| D2 | C - CERAMIC (30°, 60°) 1/8 SHAFT | 01 - MIN. | 11 - MAX @ 30° | S - SHORTING N - NON SHORTING | L - SOLDER LUG | 30° 60° | A - ADJ. F - FIXED C - CONT. | SEE CHART "A" | SEE CHART "B" |

CUSTOMERS SPECIFIED ORDER NUMBER FOR STANDARD OPTIONS

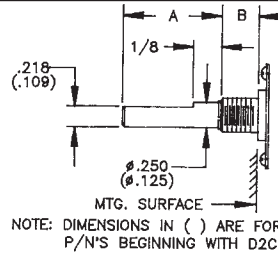


ADDITIONAL OPTIONS

INSULATION OPTION



SHAFT, BUSHING, AND FLAT OPTIONS

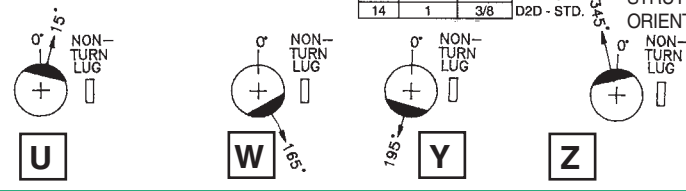


NOTE: DIMENSIONS IN () ARE FOR P/N'S BEGINNING WITH D2C.

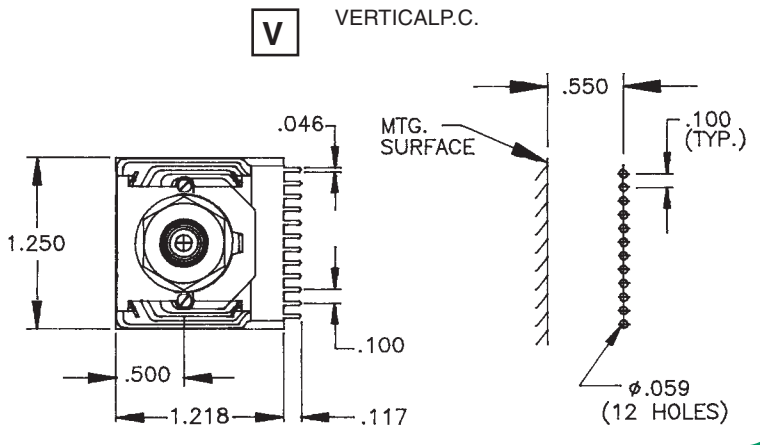
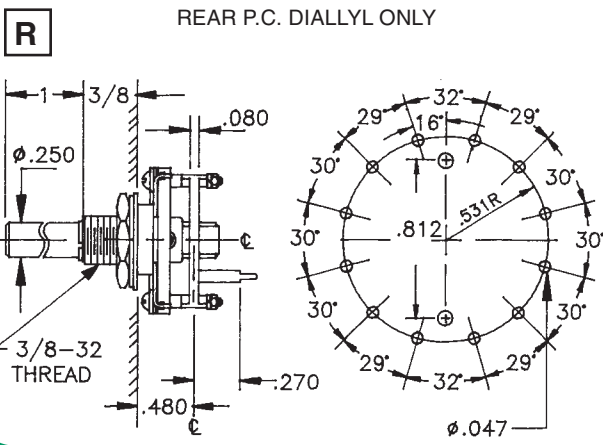
| P/N OPT. | SHAFT LGTH. "A" | BUSH. LGTH. "B" |
|----------|-----------------|-----------------|
| 01 | 3/8 | 1/4 |
| 02 | 3/8 | 3/8 |
| 03 | 1/2 | 1/4 |
| 04 | 1/2 | 3/8 |
| 05 | 9/16 | 1/4 |
| 06 | 9/16 | 3/8 |
| 07 | 5/8 | 1/4 |
| 08 | 5/8 | 3/8 |
| 09 | 3/4 | 1/4 |
| 10 | 3/4 | 3/8 |
| 11 | 7/8 | 1/4 |
| 12 | 7/8 | 3/8 |
| 13 | 1 | 1/4 |
| 14 | 1 | 3/8 |

| P/N OPT. | FLAT ANGLE |
|----------|------------|
| B | ROUND |
| U | 15° |
| W | 165° |
| Y | 195° |
| Z | 345° |

SHAFT AS VIEWED WITH NON-TURN LUG AT 3 O'CLOCK AND SHAFT IN EXTREME CCW POSITION AND STRUT BOLTS ORIENTED VERTICALLY.



PRINTED CIRCUIT BOARD TERMINAL OPTIONS



CUSTOM SWITCHES ARE AVAILABLE. CONTACT THE FACTORY WITH YOUR COMPLETE SPECIFICATIONS.

Mouser Electronics

Authorized Distributor

Click to View Pricing, Inventory, Delivery & Lifecycle Information:

Electroswitch:

[D2D0206N](#) [D2D0406N](#) [D2D0305N](#) [D2D0112N](#) [D2-513](#) [D2C0111S](#) [D2D0212N](#) [D2D0212S](#) [D2D0206S](#) [D2-512](#)
[D2D0312N](#) [D2C0303N](#) [D2D0606N](#) [D2D0112S](#) [D2D0406S](#) [D2D0312S](#) [D2D0305S](#) [D2D0605S](#)