

THIS DRAWING IS UNPUBLISHED.

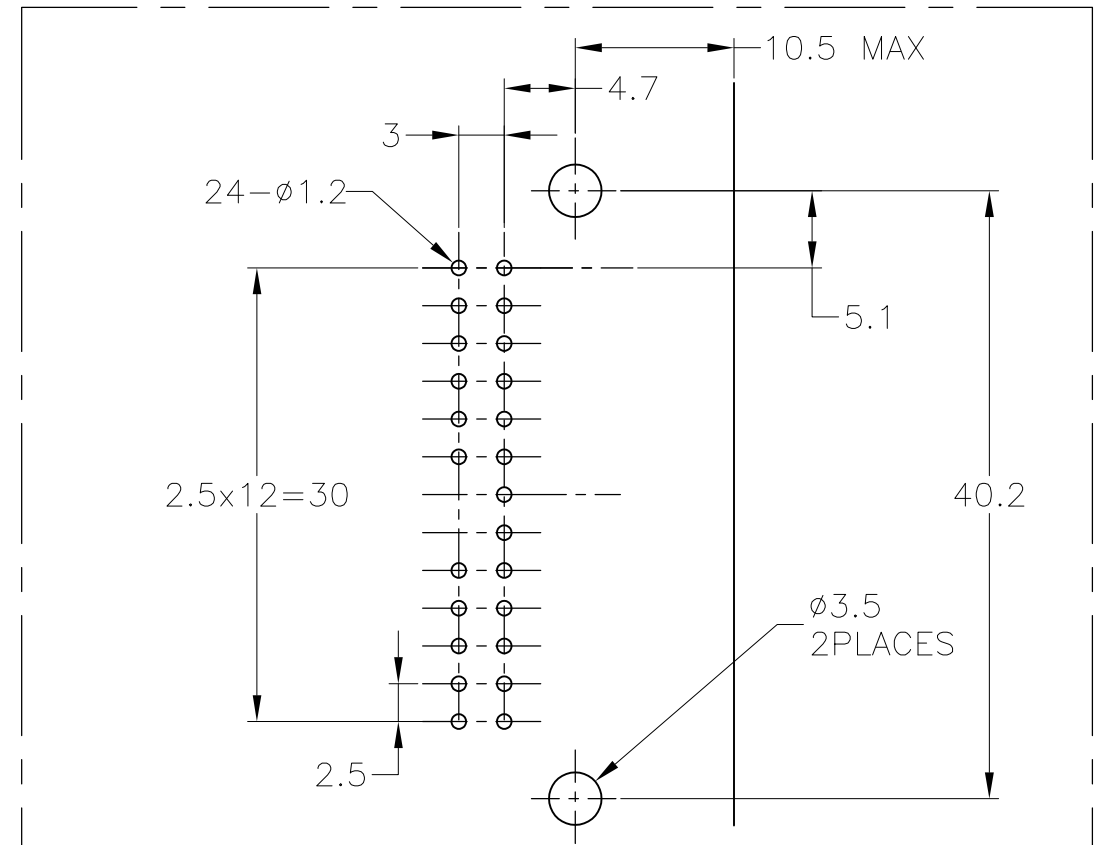
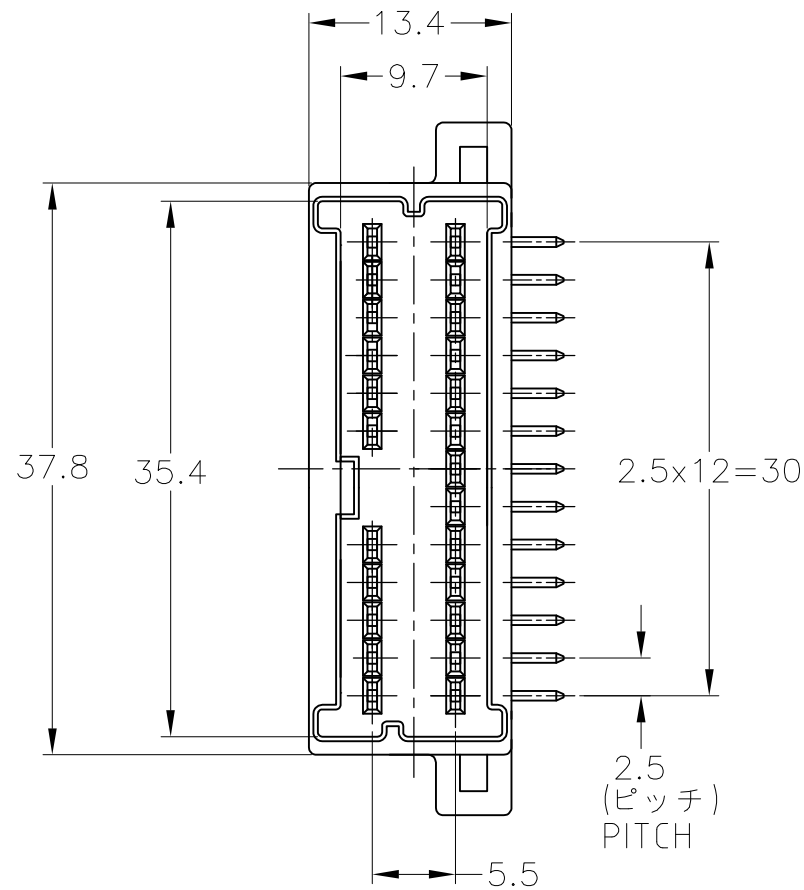
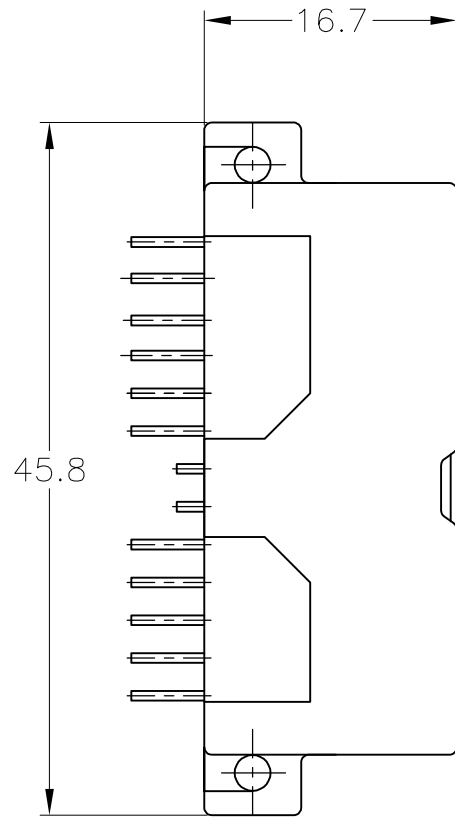
RELEASED FOR PUBLICATION

JUL . - .

© COPYRIGHT 2014 Tyco Electronics Japan G.K.

ALL RIGHTS RESERVED.

LOC	DIST	REVISIONS					
J	-	P	LTR	DESCRIPTION	DATE	DWN	APVD
		A1	REVISED	ADD TABLE	ECR-14-009768	08JUL14	AY TK



MOUNTING DIMENSIONS FOR P.C. BOARD
プリント基板取付け穴寸法

(TOLERANCES: ±0.1
PITCH TOLERANCES MUST NOT ACCUMULATE.)

(公差: ±0.1ピッチ公差は累積されないこと。)

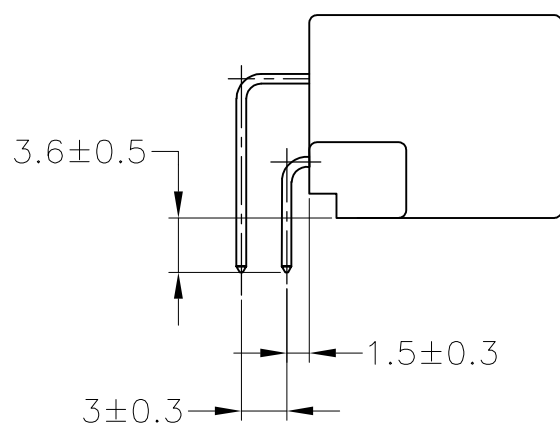
P.C. BOARD THICKNESS

基板厚: 1.6mm

1 RECOMMENDED MOUNTING SCREW: PAN-HEADED, TYPE 2 TAPPING SCREW OF 3DIA X 6LENGTH (JIS B1115, B1122), TIGHTENING TORQUE: 39.2N-cm[4Kg-cm]MAX

1 推奨取付ネジ: JIS B1115, B1122 タッピングねじ、なべ2種、呼び径3、長さ6、締付トルク: 39.2N-cm[4kg-cm]以下

PRE-TIN	1123391-3	茶色 (BROWN)	1123433-3
CONTACT FINISH	MATING HOUSING PART NUMBER	COLOR	PART NUMBER



TOLERANCES UNLESS OTHERWISE SPECIFIED:
一般公差

10 ≥	±0.2
30 ≥	>10 : ±0.25
100 ≥	>30 : ±0.3
ANGLE : ±3°	

THIS DRAWING IS A CONTROLLED DOCUMENT.

DIMENSIONS: mm	TOLERANCES UNLESS OTHERWISE SPECIFIED:
	0 PLC ±-
	1 PLC ±-
	2 PLC ±-
	3 PLC ±-
	4 PLC ±-
	ANGLES ±-
MATERIAL PBT	FINISH

DWN T.MINEMATSU 08JUL2014	STE TE Connectivity	
CHK E.SASAKI 08APR98		
APVD M.TSUKAKOSHI 08APR98	NAME	
PRODUCT SPEC 108-5603	040III MULTILOCK CONNECTOR	
APPLICATION SPEC	24POS CAP HOUSING ASSEMBLY	
—	WIRE TO BOARD (H) TYPE	
WEIGHT 6.3 g	SIZE A3	CAGE CODE 00779
CUSTOMER DRAWING	DRAWING NO C-1123433	RESTRICTED TO —
SCALE 2:1	SHEET 1 OF 1	REV A1

Mouser Electronics

Authorized Distributor

Click to View Pricing, Inventory, Delivery & Lifecycle Information:

[TE Connectivity:](#)

[1123433-3](#)