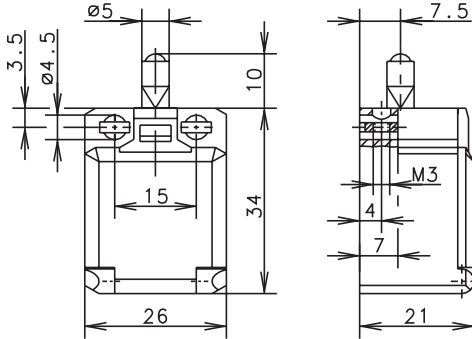


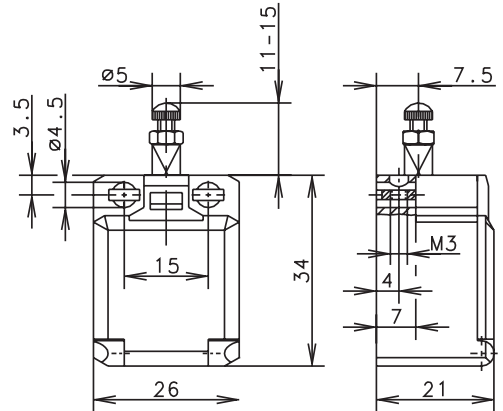
C2 Series



W



ST



Switching Operation	Slow Action	Snap Action	Slow Action	Snap Action
1 NC / 1 NO Contacts	600.8101.001 C2-U1Z 	600.8351.002 C2-SU1Z 	600.8104.025 C2-U1Z ST 	600.8354.026 C2-SU1Z ST
2 NC Contacts	600.8801.003 C2-A2Z 	600.8851.004 C2-SA2Z 	600.8804.027 C2-A2Z ST 	-
2 NO Contacts	600.8801.005 C2-E2 	600.8851.006 C2-SE2 	600.8804.029 C2-E2 ST 	600.8854.030 C2-SE2 ST
1 NC / 1 NO Contacts Overlapping	-	-	-	-

Technical Information

	Slow Action	Snap Action	Slow Action	Snap Action
Maximum Switching Voltage	240V	240V	240V	240V
Maximum Switching Amperage	10A	10A	10A	10A
B10d	6 Million	6 Million	6 Million	6 Million
Mechanical Service Life	3 x 10 ⁶	3 x 10 ⁶	3 x 10 ⁶	3 x 10 ⁶
Switching Frequency	≤ 100/min	≤ 100/min	≤ 100/min	≤ 100/min
Operating Temperature	-30 °C to +80 °C	-30 °C to +80 °C	-30 °C to +80 °C	-30 °C to +80 °C
Protection Rating	IP20	IP20	IP20	IP20
Utilization Category	AC-15, Ue/Ue 240V 3A	AC-15, Ue/Ue 240V 3A	AC-15, Ue/Ue 240V 3A	AC-15, Ue/Ue 240V 3A
Rate Insulation Voltage	240VAC	240VAC	240VAC	240VAC
Approvals				

Special features / variants

- Actuator length adjustable with threaded screw

Drawing dimensions in mm

Mouser Electronics

Authorized Distributor

Click to View Pricing, Inventory, Delivery & Lifecycle Information:

[Altech:](#)

[600.8804.027](#) [600.8851.006](#) [600.8104.025](#) [600.8801.003](#) [600.8101.001](#) [600.8351.002](#) [600.8354.026](#)
[600.8804.029](#) [600.8801.005](#) [600.8851.004](#) [600.8101.036](#) [600.8351.037](#) [600.8801.009](#) [600.8816.038](#)