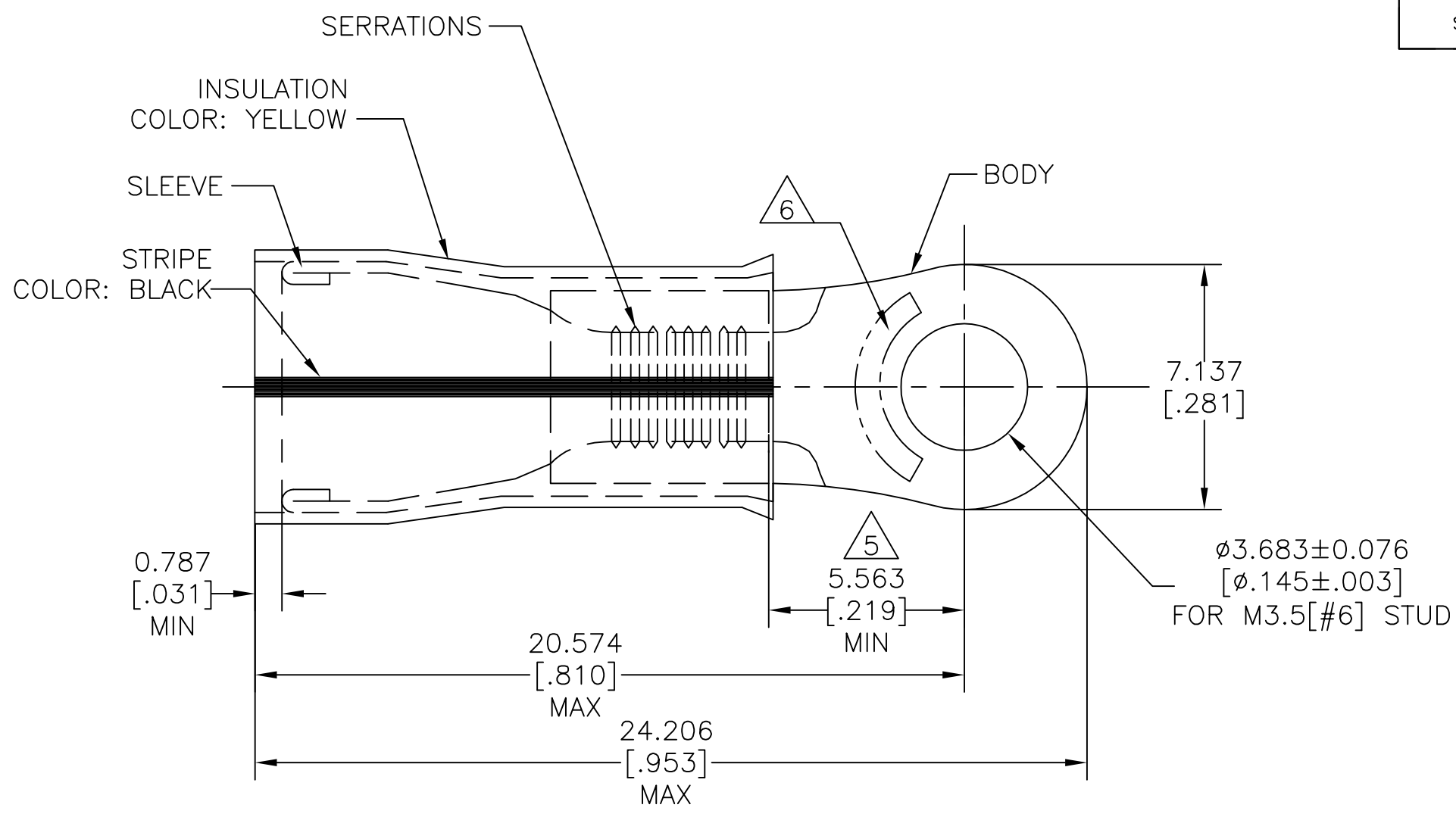


| REVISIONS | | | | | |
|-----------|-----|---------------------------|-----------|-----|------|
| P | LTR | DESCRIPTION | DATE | DWN | APVD |
| | F | REVISED PER ECO-14-015277 | 03MAR2015 | NK | DR |
| | F1 | REVISED PER ECO-17-007400 | 22NOV2017 | RS | DR |

| | | |
|--------------------------------|--------------------------------|--------------------------------|
| AMP WIRE RANGE | Listed FILE E13288 | LR7189 Certified |
| 16-14 AWG SOLID OR STRANDED | 16-14 AWG SOLID OR STRANDED | 16-14 AWG SOLID OR STRANDED |



- 1 WIRE INSUL $\phi 3.810-5.842[\phi .150-.230]$
- 2 BODY MATERIAL THK $1.219 \pm 0.051[.048 \pm .002]$
- 3 MATERIAL: BODY - CU PER ASTM B152, SLEEVE - CU PER ASTM B152, INSULATION - NYLON (ASTM D4066) TYPE 1.
- 4 FINISH: BODY & SLEEVE: TIN PER ASTM B-545, INSULATION - COLOR: YELLOW.
- 5 APPLIES FROM EDGE OF METAL WIRE BARREL TO THE CENTER OF STUD HOLE.
- 6 STAMP AMP 16-14 HD* APPROX AS SHOWN.

| | | |
|------|--------------|------------|
| 2000 | ON TAPE | 2-320631-1 |
| 500 | LOOSE PIECE | 320631 |
| QTY | PACKAGE TYPE | PART NO |

| | |
|---|--|
| AMP INCORPORATED CUSTOMER SERVICE SYSTEMS | |
| FOR ADDITIONAL PRODUCT INFORMATION OR COPIES OF DRAWINGS AND TECHNICAL DOCUMENTS | PRODUCT INFORMATION CENTER 1-800-522-6752 |
| FOR APPLICATION TOOLING INFORMATION | TOOLING ASSISTANCE CENTER 1-800-722-1111 |
| FOR ORDER ENTRY | 1-800-526-5142 |

| |
|---|
| MAX RECOMMENDED OPERATING TEMPERATURE: 105°C [221°F] |
| VOLTAGE RATING: 300 V MAX |
| CIRCULAR MIL AREA: 1.04-2.62mm ² [2,050-5,180] SOLID OR STRANDED |

| | |
|--|--|
| THIS DRAWING IS A CONTROLLED DOCUMENT. | |
| DIMENSIONS: mm [INCHES] | TOLERANCES UNLESS OTHERWISE SPECIFIED: |
| | 0 PLC ± - |
| | 1 PLC ± - |
| | 2 PLC ± - |
| | 3 PLC ± 0.127[.005] |
| | 4 PLC ± - |
| | ANGLES ± 5° |
| MATERIAL | FINISH |
| | |

| | |
|-------------------------|------------|
| DWN jr_ruth | 10JUN09 |
| CHK TOM MICHIELUTTI | 10JUN09 |
| APVD TOM MICHIELUTTI | 10JUN09 |
| PRODUCT SPEC | UL 486 A-B |
| APPLICATION SPEC | 114-2157 |
| WEIGHT | - |
| CUSTOMER DRAWING | |

| | | | |
|---|-----------|-----------------|---------------|
| TE Connectivity | | | |
| NAME TERMINAL, P.I.D.G., RING TONGUE, WIRE SIZE: 16-14 HD | | | |
| SIZE | CAGE CODE | DRAWING NO | RESTRICTED TO |
| A3 | 00779 | C=320631 | - |
| SCALE 6:1 | | SHEET 1 OF 1 | REV F1 |

Mouser Electronics

Authorized Distributor

Click to View Pricing, Inventory, Delivery & Lifecycle Information:

[TE Connectivity:](#)

[320631](#)