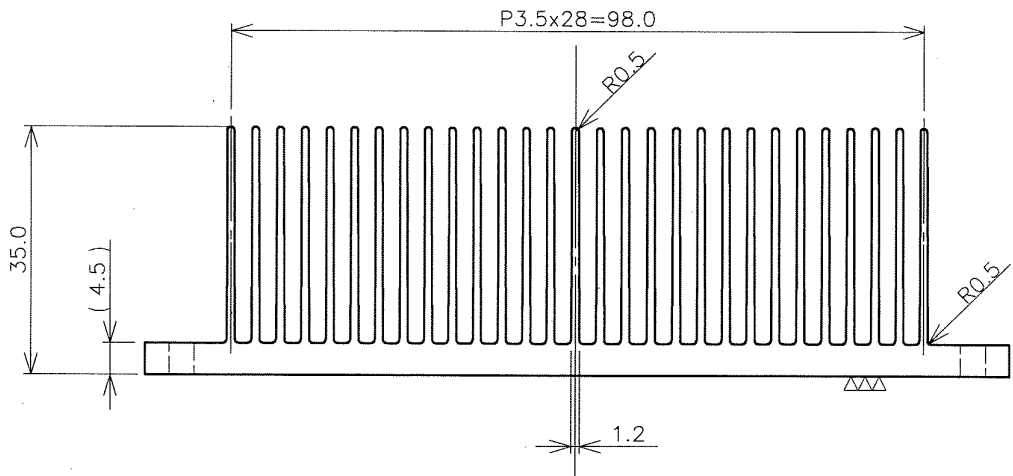
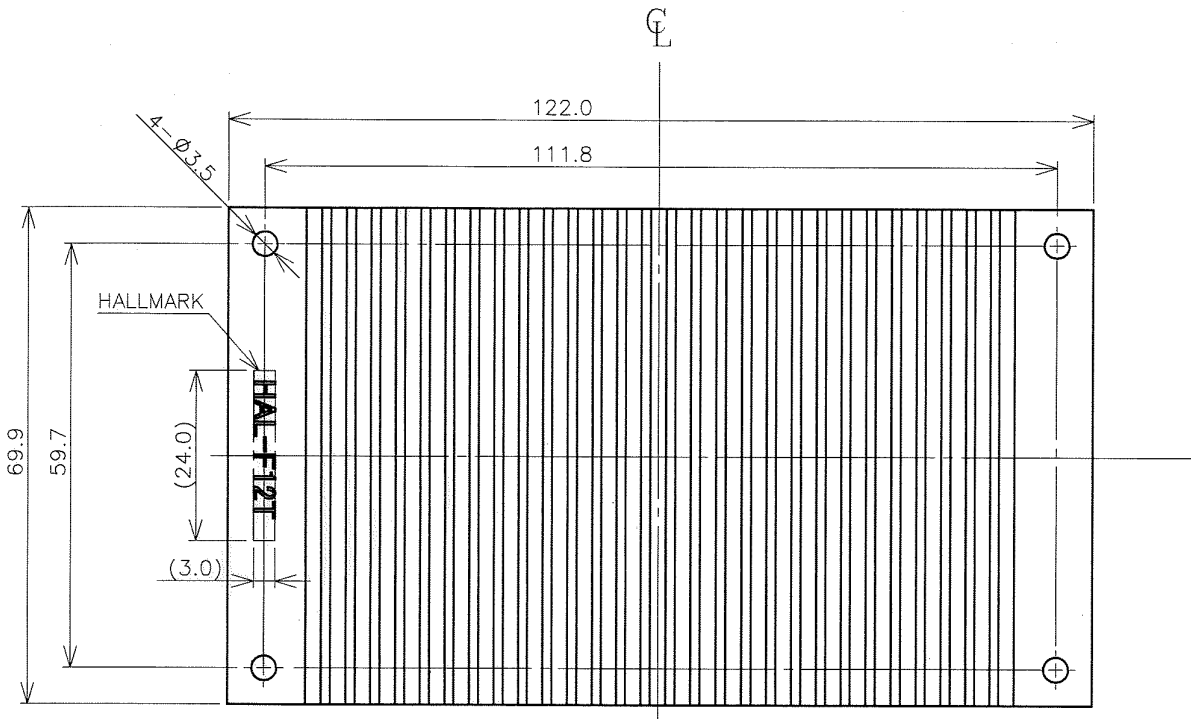


This is uncontrolled copy when without Authorized Mark on the printed drawing. Verification of the latest version shall be conducted by PLM system.

Surface QC

RoHS COMPLIANCE



=NOTES=

RoHS Compliance :
 Refer to D-L Group Green Procurement Guideline : DL-EMS-010_
 Surface QC :
 Refer to Guideline for defects in the surface appearance
 of products (For Vender) : NLS-B-225_

Unless otherwise specified dimensional tolerance as follows:

DIMENSION (mm)	TOLERANCE ±mm
1-16	0.1
16.1-63	0.2
63.1-250	0.3
250.1-1000	0.5

-	-52	NEW RELEASE	08.5.16			
D	REV	CONTENTS	DATE	ENGR	CHK	APPD
APPD		<i>[Signature]</i>	SCALE	1:1	MATERIALS	TITLE
CHK		<i>[Signature]</i>	UNITS	mm	A6063S-T5	FIN
ENGR		MATSUMAGA	ANGLE	3RD ANGLE PROJECTION	FINISH	HAL-F12T
					DECREASE	DRAWING No. 8000-4-169- <input type="checkbox"/>

DENSEI-LAMBDA

PARTS FILE: 8000-4-169
 DWG FILE: 8000-4-169.SLDDRW

PAGE 1/1

Mouser Electronics

Authorized Distributor

Click to View Pricing, Inventory, Delivery & Lifecycle Information:

[TDK-Lambda:](#)

[HAL-F12T](#)