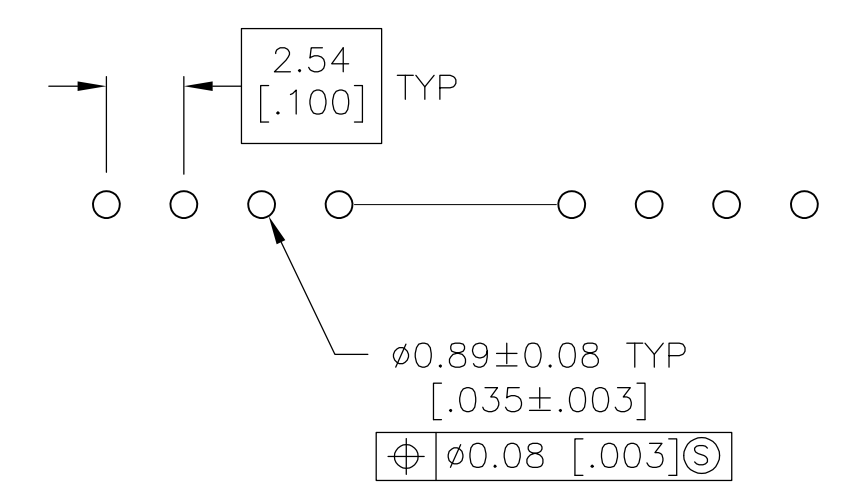
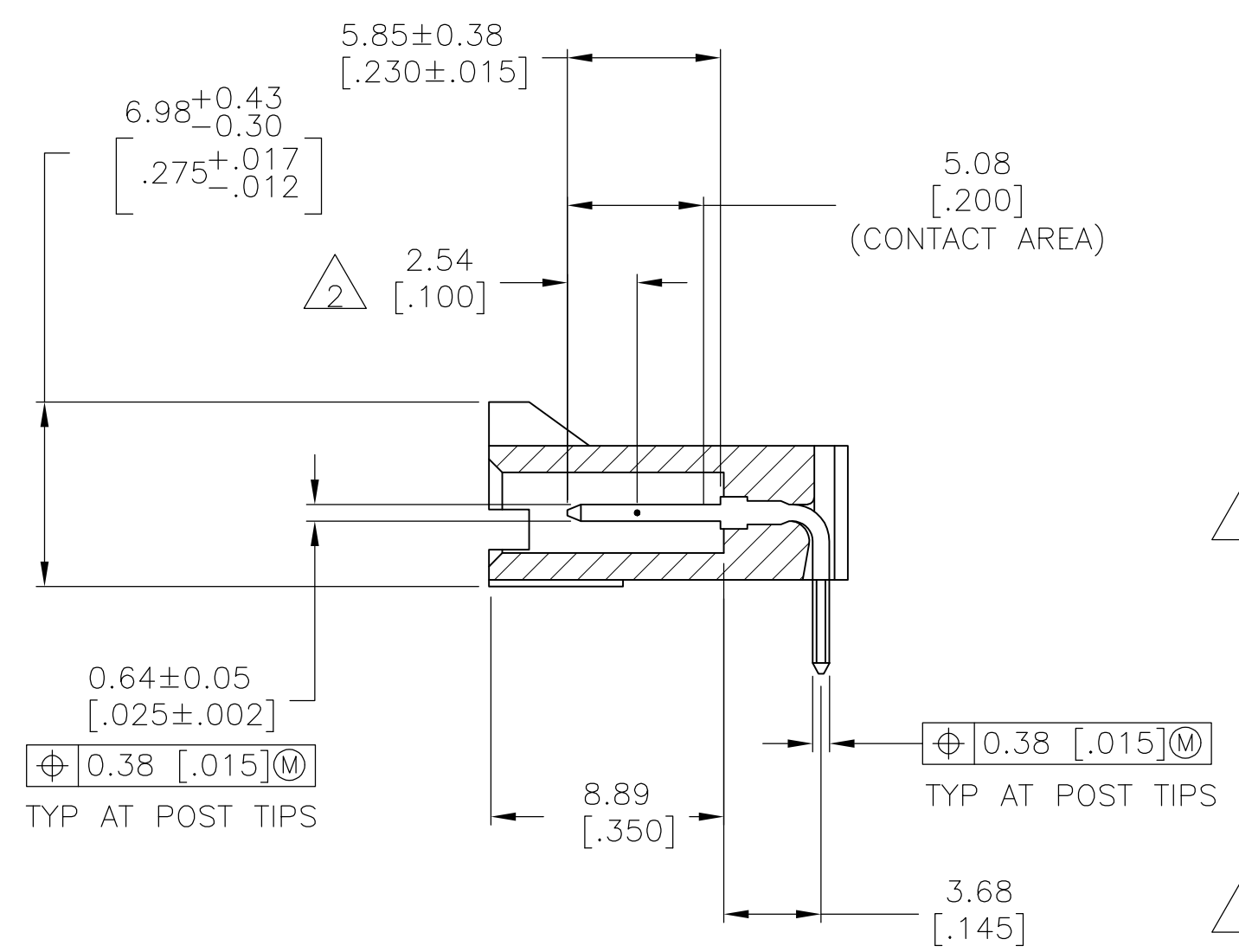
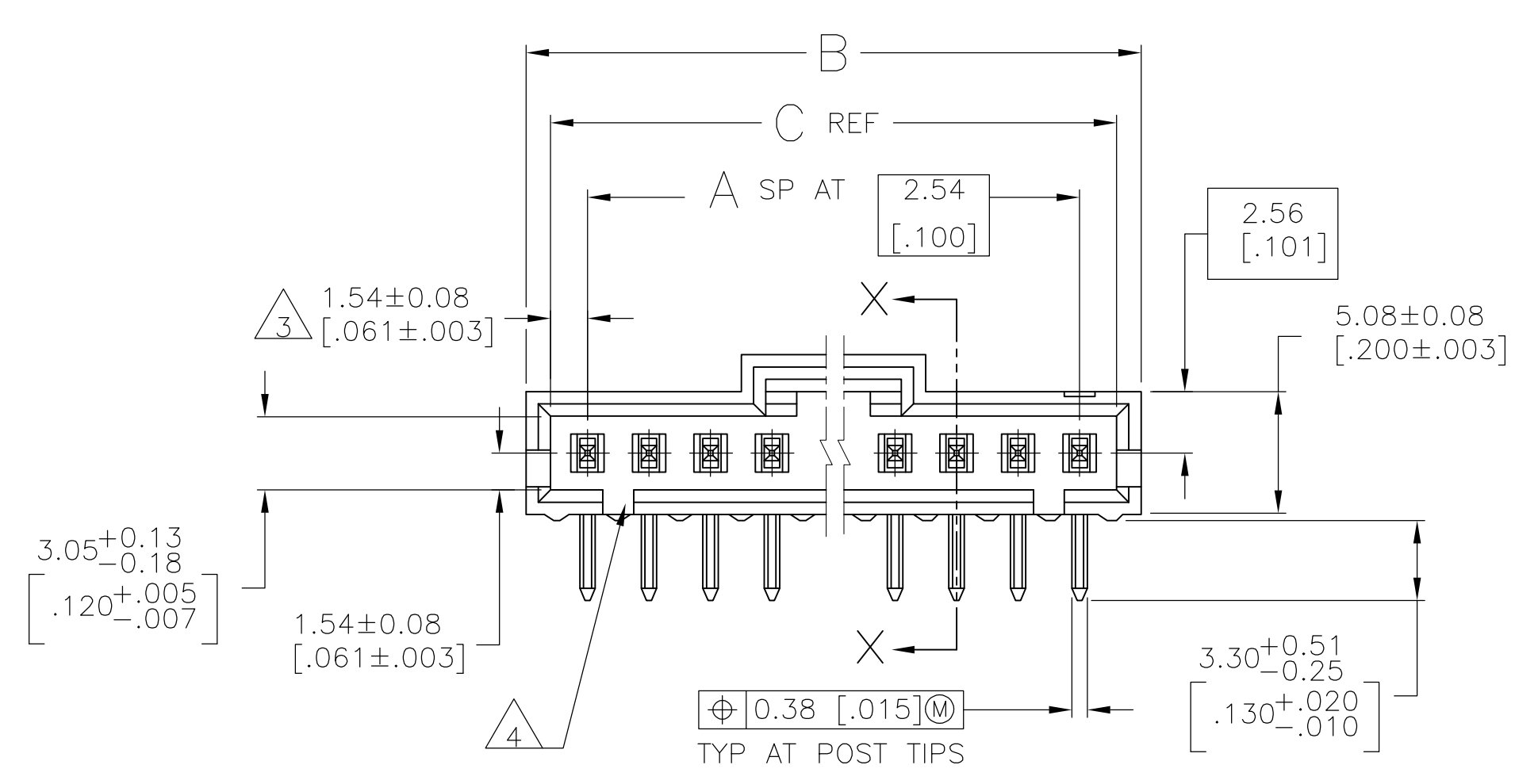
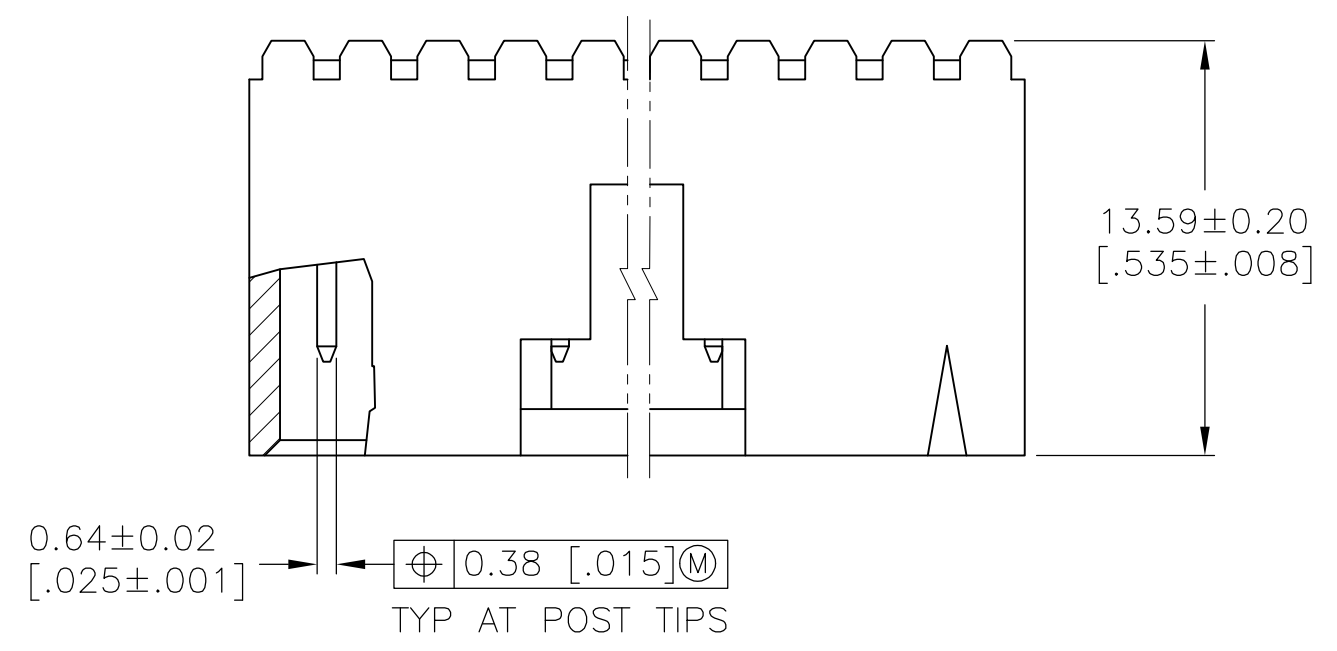


REVISIONS					
REV	DATE	DESCRIPTION	BY	APPV	MM
S3	20SEP2016	REVISED PER ECO-16-013470	BW	MM	
T	11APR2017	REVISED PER ECO-17-002584	BDA	MM	

- 1 .00038 [.000015] GOLD IN THE CONTACT AREA, .00254 [.000100] MATTE TIN-LEAD ON THE REMAINDER OF CONTACT, ALL OVER .00127 [.000050] NICKEL.
- 2 POINT OF MEASUREMENT FOR PLATING THICKNESS.
- 3 THE NOTED DIMENSIONS APPLY AT THE INTERSECTION OF THE POST AND THE HOUSING.
- 4 ON ASSEMBLIES WITH FOUR OR MORE POSITIONS, TWO POLARIZATION SLOTS. ON ASSEMBLIES WITH TWO OR THREE POSITIONS, ONE POLARIZATION SLOT.
- 5 .00038 [.000015] GOLD IN THE CONTACT AREA, .00254 [.000100] MATTE TIN ON THE REMAINDER OF CONTACT, ALL OVER .00127 [.000050] NICKEL.
- 6 HIGH TEMPERATURE CONFIGURATION
- 7 OBSOLETE PARTS: OBSOLETE CIS STREAMLINING PER D.RENAUD/D.SINISI



7 OBSOLETE
 7 SUPERSEDED BY 7-103635-1
 7 OBSOLETE
 7 OBSOLETE
 7 SUPERSEDED BY 6-103635-6

REV	DATE	DESCRIPTION	BY	APPV	MM
1	64.01 [2.520]	65.91 [2.595]	24	25	2-103635-4
1	61.47 [2.420]	63.37 [2.495]	23	24	2-103635-3
1	58.93 [2.320]	60.83 [2.395]	22	23	2-103635-2
1	56.39 [2.220]	58.29 [2.295]	21	22	2-103635-1
1	53.85 [2.120]	55.75 [2.195]	20	21	2-103635-0
1	51.31 [2.020]	53.21 [2.095]	19	20	1-103635-9
1	48.77 [1.920]	50.67 [1.995]	18	19	1-103635-8
1	46.23 [1.820]	48.13 [1.895]	17	18	1-103635-7
1	43.69 [1.720]	45.59 [1.795]	16	17	1-103635-6
1	41.15 [1.620]	43.05 [1.695]	15	16	1-103635-5
1	38.61 [1.520]	40.51 [1.595]	14	15	1-103635-4
1	36.07 [1.420]	37.97 [1.495]	13	14	1-103635-3
1	33.53 [1.320]	35.43 [1.395]	12	13	1-103635-2
1	30.99 [1.220]	32.89 [1.295]	11	12	1-103635-1
1	28.45 [1.120]	30.35 [1.195]	10	11	1-103635-0
1	25.91 [1.020]	27.81 [1.095]	9	10	103635-9
1	23.37 [.920]	25.27 [.995]	8	9	103635-8
1	20.83 [.820]	22.73 [.895]	7	8	103635-7
1	18.29 [.720]	20.19 [.795]	6	7	103635-6
1	15.75 [.620]	17.65 [.695]	5	6	103635-5
1	13.21 [.520]	15.11 [.595]	4	5	103635-4
1	10.67 [.420]	12.57 [.495]	3	4	103635-3
1	8.13 [.320]	10.03 [.395]	2	3	103635-2
1	5.59 [.220]	7.49 [.295]	1	2	103635-1

THIS DRAWING IS A CONTROLLED DOCUMENT. DIMENSIONS: mm [INCHES]. TOLERANCES UNLESS OTHERWISE SPECIFIED: 0 PLC ± -, 1 PLC ± -, 2 PLC ± -, 3 PLC ± .005, 4 PLC ± -. ANGLES ± -.


DIN S. SHUEY 5-3-91
 CHK L. CASTAGNA 27-3-91
 APVD L. CASTAGNA 27-3-91

TE Connectivity
 NAME: HDRASSY, RTANG, SGLEROW
 PRODUCT SPEC: 2.54[.100]C/L, 0.64[.025]SQPST, WITH PLZLN&LATCHING, AMPMODUM TME
 APPLICATION SPEC: 108-25034
 SIZE: 114-25026
 WEIGHT: -
 CUSTOMER DRAWING

SCALE: 4:1 SHEET 1 OF 2 REV T

REVISIONS					
P	LYR	DESCRIPTION	DATE	DMN	APVD
-		SEE SHEET 1	-	-	-

		△6	△5	64.01 [2.520]	65.91 [2.595]	24	25	7-103635-4
		△6	△5	61.47 [2.420]	63.37 [2.495]	23	24	7-103635-3
△7	OBSOLETE	△6	△5	58.93 [2.320]	60.83 [2.395]	22	23	7-103635-2
		△6	△5	56.39 [2.220]	58.29 [2.295]	21	22	7-103635-1
△7	OBSOLETE	△6	△5	53.85 [2.120]	55.75 [2.195]	20	21	7-103635-0
		△6	△5	51.31 [2.020]	53.21 [2.095]	19	20	6-103635-9
△7	OBSOLETE	△6	△5	48.77 [1.920]	50.67 [1.995]	18	19	6-103635-8
		△6	△5	46.23 [1.820]	48.13 [1.895]	17	18	6-103635-7
		△6	△5	43.69 [1.720]	45.59 [1.795]	16	17	6-103635-6
		△6	△5	41.15 [1.620]	43.05 [1.695]	15	16	6-103635-5
		△6	△5	38.61 [1.520]	40.51 [1.595]	14	15	6-103635-4
		△6	△5	36.07 [1.420]	37.97 [1.495]	13	14	6-103635-3
		△6	△5	33.53 [1.320]	35.43 [1.395]	12	13	6-103635-2
		△6	△5	30.99 [1.220]	32.89 [1.295]	11	12	6-103635-1
		△6	△5	28.45 [1.120]	30.35 [1.195]	10	11	6-103635-0
		△6	△5	25.91 [1.020]	27.81 [1.095]	9	10	5-103635-9
		△6	△5	23.37 [.920]	25.27 [.995]	8	9	5-103635-8
		△6	△5	20.83 [.820]	22.73 [.895]	7	8	5-103635-7
		△6	△5	18.29 [.720]	20.19 [.795]	6	7	5-103635-6
		△6	△5	15.75 [.620]	17.65 [.695]	5	6	5-103635-5
		△6	△5	13.21 [.520]	15.11 [.595]	4	5	5-103635-4
		△6	△5	10.67 [.420]	12.57 [.495]	3	4	5-103635-3
		△6	△5	8.13 [.320]	10.03 [.395]	2	3	5-103635-2
		△6	△5	5.59 [.220]	7.49 [.295]	1	2	5-103635-1
	REMARKS		PLATING	C	B	A	NO. OF POSN	PART NO.

THIS DRAWING IS A CONTROLLED DOCUMENT.		DMN S. SHUEY 5-3-91	 TE Connectivity	
DIMENSIONS: mm [INCHES]		CHK L. CASTAGNA 27-3-91		
TOLERANCES UNLESS OTHERWISE SPECIFIED:		APVD L. CASTAGNA 27-3-91	NAME HDRASSY, RTANG, SGLEROW	
0. PLC ± -		PRODUCT SPEC 108-25034		
1. PLC ± -		APPLICATION SPEC 114-25026		
2. PLC ± -		SIZE A1		
3. PLC ± -		CAGE CODE 00779		
4. PLC ± -		DRAWING NO. 103635		
ANGLES ± -		RESTRICTED TO CUSTOMER DRAWING		
MATERIAL: HOUSING: PLATE: RETENANT: CSOR: BLACK: CONTACT: BRASS		SCALE: 1:1 SHEET 2 OF 2 REV T		

Mouser Electronics

Authorized Distributor

Click to View Pricing, Inventory, Delivery & Lifecycle Information:

[TE Connectivity:](#)

[5-103635-4](#)