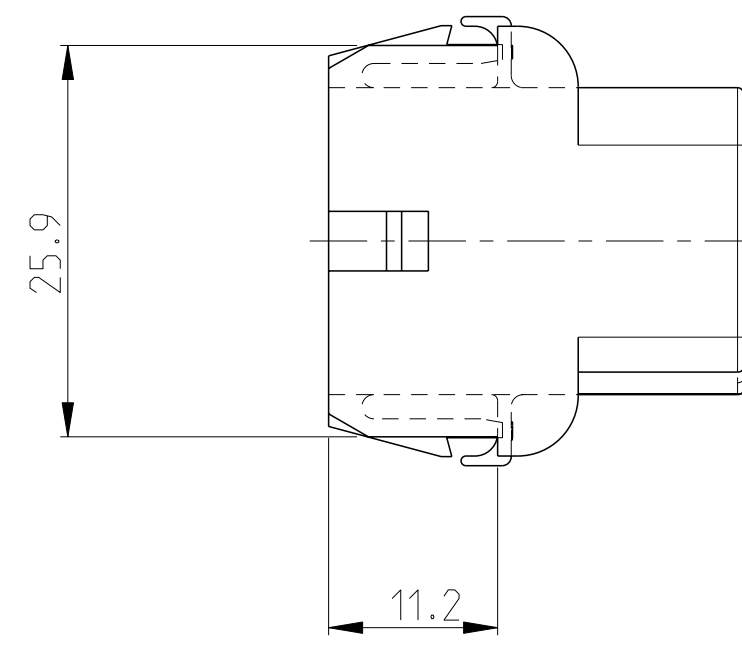
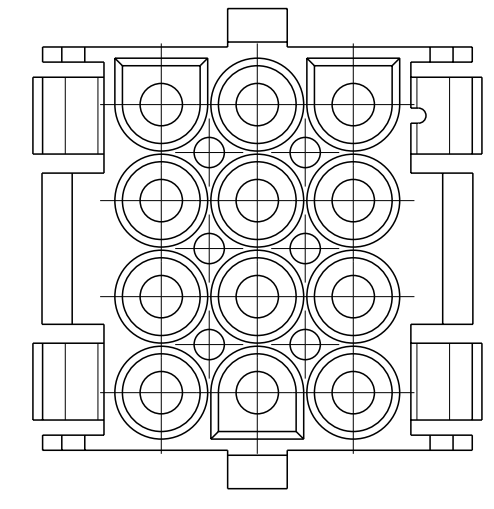
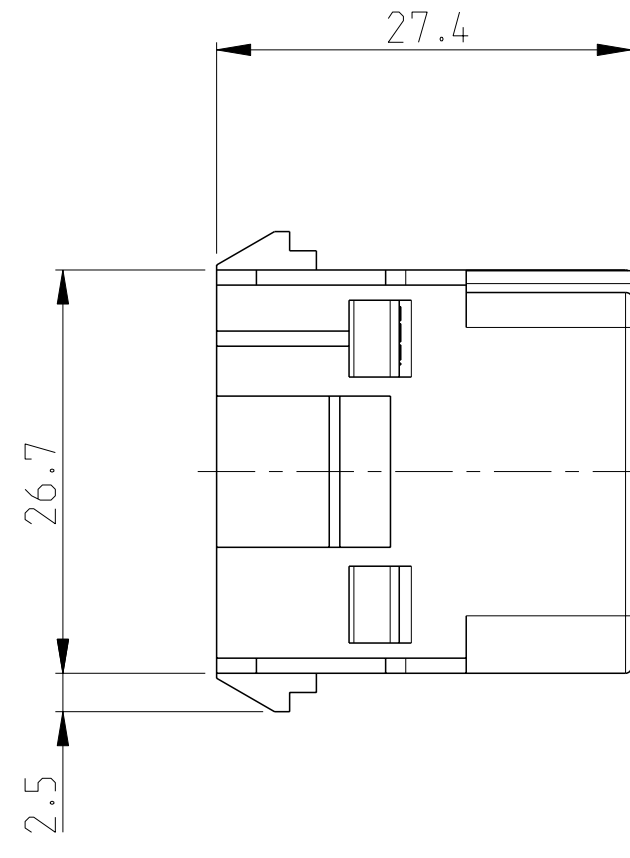
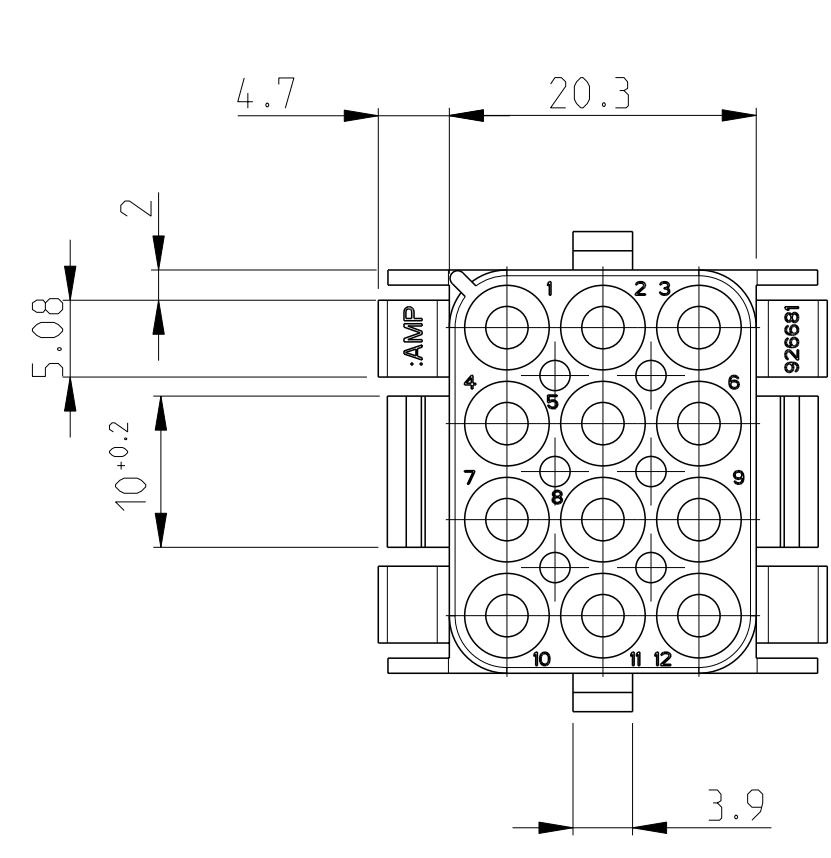
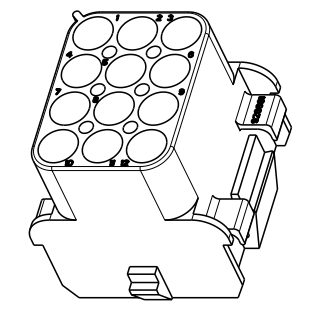
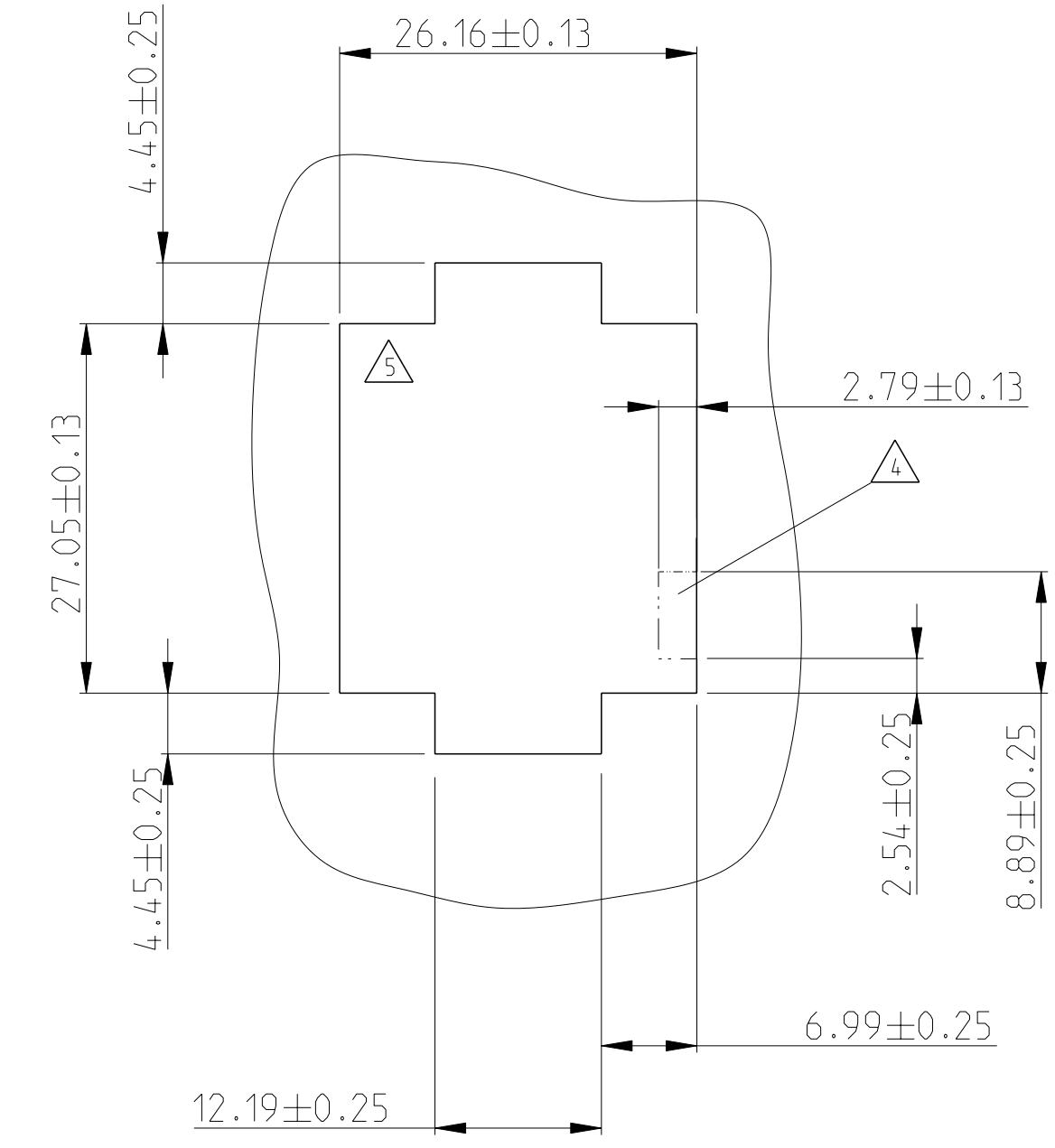


REVISIONS				
P	LTR	DESCRIPTION	DATE	APVD
B3		REVISED PER ECR-17-014951	16OCT2017	BDA KR



Montageausschnitt/PANEL CUT OUT
 Bestückungsseite/LOADING SIDE



1:1

Bemerkungen
 NOTES

- 1 Geeignet für UMNL Stift- und Buchsenkontakte
 BEEN SUITABLE FOR UMNL PIN- AND SOCKET CONTACTS
- 2 Empfohlene Blechstärke 0,75 - 2,3 mm
 RECOMMEND SHEET METAL THICKNESS 0.75 - 2.3 mm
- 3 Gehäuse muß in Stanzrichtung eingeführt werden
 HOUSING MUST BE INTRODUCED TO PUNCHING DIRECTION
- 4 Für verschlüsseltes Einsetzen der Gehäuse
 FOR CODED USING OF THE HOUSINGS
- 5 Position von Kammer 1 bei verschlüsseltem Einsetzen
 POSITION OF CAVITY 1 FOR CODED USING
- 6 Neues Material (Phosphor und Halogen frei)
 NEW MATERIAL (PHOSPHORUS AND HALOGENEOUS FREE)
- 7 DIMENSIONS SHOWN REPRESENT PRODUCT IN DRY, AS MOLDED, CONDITION.
 ADDITIONAL 2% GROWTH DUE TO SUBSEQUENT MOISTURE ABSORPTION MAY OCCUR
 AND SHOULD BE ACCOUNTED FOR.

PART NO.	REV.	MATERIAL	COLOR
926681-5	B	PA6.6 UL94 V-2	natur/NATURAL
926681-4	B	PA6.6 UL94 V-2 DURETHAN VPKU2	weiß/WHITE
926681-3	B	PA6.6 UL94 V-0	6 natur/NATURAL
926681-2	A	PA6.6 UL94 V-0	6 schwarz/BLACK
926681-1	A	PA6.6 UL94 V-2 ZYTEL E101	natur/NATURAL

THIS DRAWING IS A CONTROLLED DOCUMENT.

DIMENSIONS:	TOLERANCES UNLESS OTHERWISE SPECIFIED:
mm	
	0 PLC/ ±
	1 PLZ/ ±
	2 PXC ± 0.2
	3 PFC ±
	4 PLC ±
	ANGLES ±
MATERIAL	FINISH
-	-

DWN Abraham.G. 08MAY03	CHK Kampmann.H. 09MAY03	APVD	NAME
			TE Connectivity
PRODUCT SPEC 108-1031		NAME 12-pol. UMNL Aufnahmegehäuse	
APPLICATION SPEC 114-18011		UMNL 12-WAY CAP HSG	
WEIGHT 9.5 g	SIZE A2	CAGE CODE 00779	DRAWING NO 926681
CUSTOMER DRAWING	SCALE 2:1	SHEET 1 OF 1	REV B3

Mouser Electronics

Authorized Distributor

Click to View Pricing, Inventory, Delivery & Lifecycle Information:

[TE Connectivity:](#)

[926681-1](#)