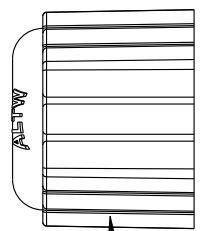


THIS DOCUMENT IS SUBJECT TO CHANGE WITHOUT NOTICE. IT IS CONFIDENTIAL AND A PROPERTY OF Amphenol LTW. DISCLOSURE TO THIRD PARTY HAS TO BE AUTHORIZED BY Amphenol LTW.

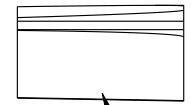
REV.	ECN NO.	DATE	SIGN	DESCRIPTION
B	LE31490145	2014-09-02	Joy	Change to 94V0 material



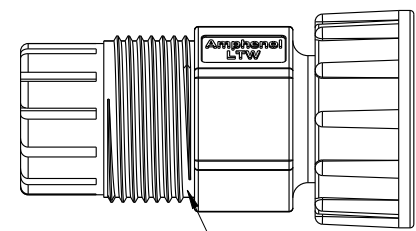
3
Sealing Nut



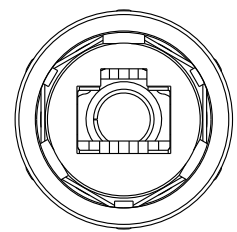
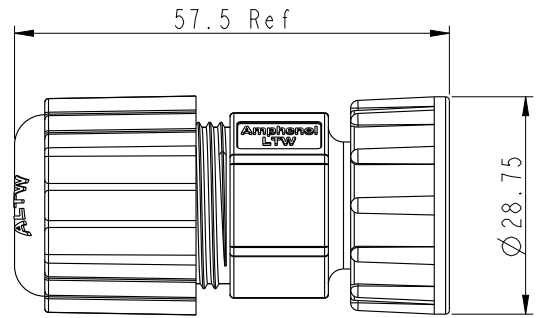
2
Seals



4
Support



1 Half-Finished Goods :
(Housing+ Gasket+ Lock Nut)



- Note:
- * \varnothing Important Dimension
 - * Waterproof Rate : IP67 (Mated)
 - * Half-Finished Goods:
 - \triangle Housing : Nylon66,Black
 - Gasket : Silicone,Gray
 - \triangle Lock Nut : Nylon+GF,Black
 - \triangle * Support: PVC,Black
 - * Sealing Nut: FR50, BK505
 - * Seals: Silicone,Gray.
 - * Cable OD Range : 5.0~6.5mm
 - * Sealing Nut Torsion Value Range: 8~15kgf-cm
 - * One Set Unassembled in One PE Bag.

UNIT : mm		
TOLERANCE	.X ±0.25	
	.XX ±0.1	
	.XXX ±0.05	
ANGLES	±1°	

TITLE RJ45 FEED-THRU, 3T LOCK, DSIZE			
SCALE 1:1	SIZE A4	SHEET 1 OF 1	
REV. B	WC-REV. A.4	\varnothing : Inspection item	

Amphenol LTW
安費諾亮泰企業股份有限公司

ITEM NO. RDP-00BMS-TLM7001	DRAWN BY Joy	DATE 2014-09-02
DWG NO. RDP-00BMS-TLM7001	CHECKED BY Tom	DATE 2014-09-02
CUSTOMER ALTW	APPROVED BY VICTOR	DATE 2014-09-02

Mouser Electronics

Authorized Distributor

Click to View Pricing, Inventory, Delivery & Lifecycle Information:

[Amphenol:](#)

[RDP-00BMMS-TLM7001](#)