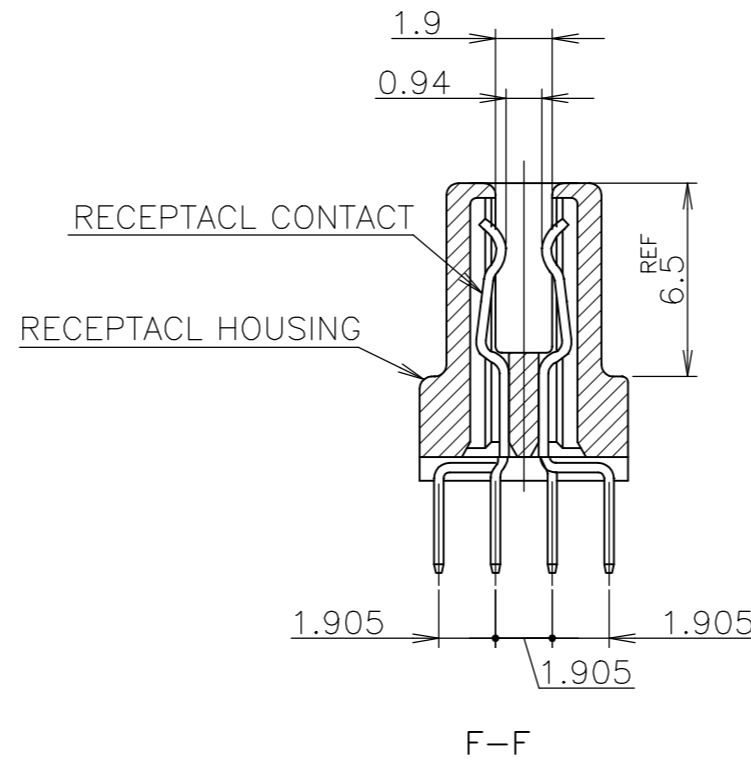
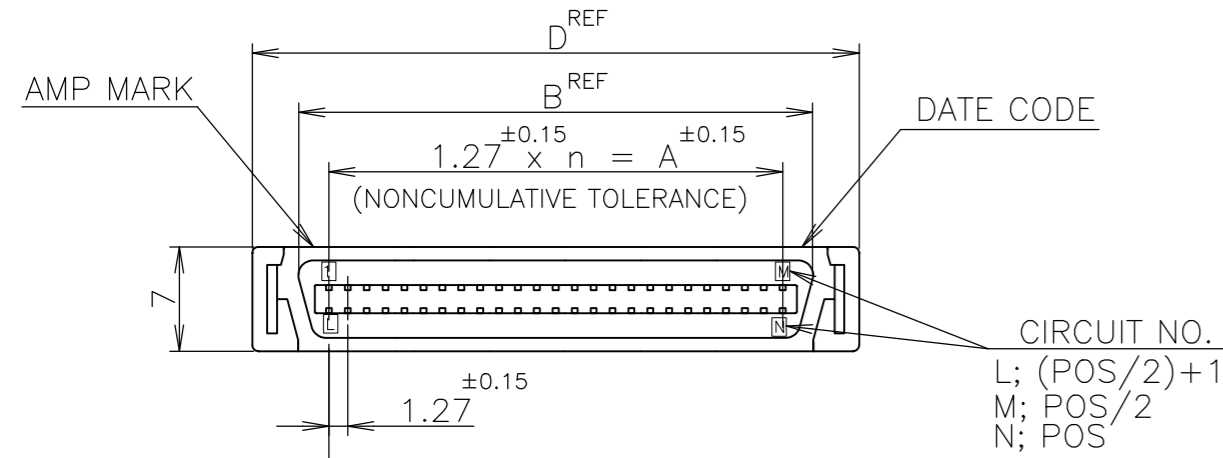
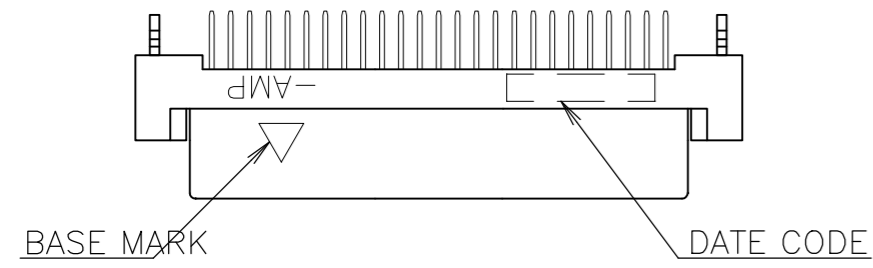
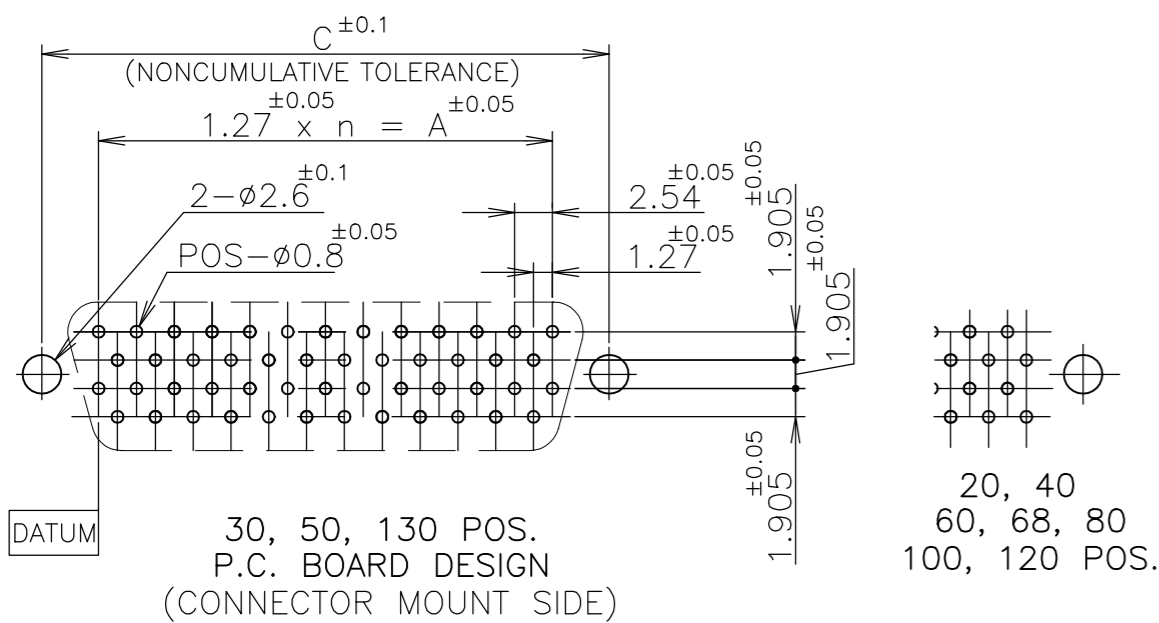
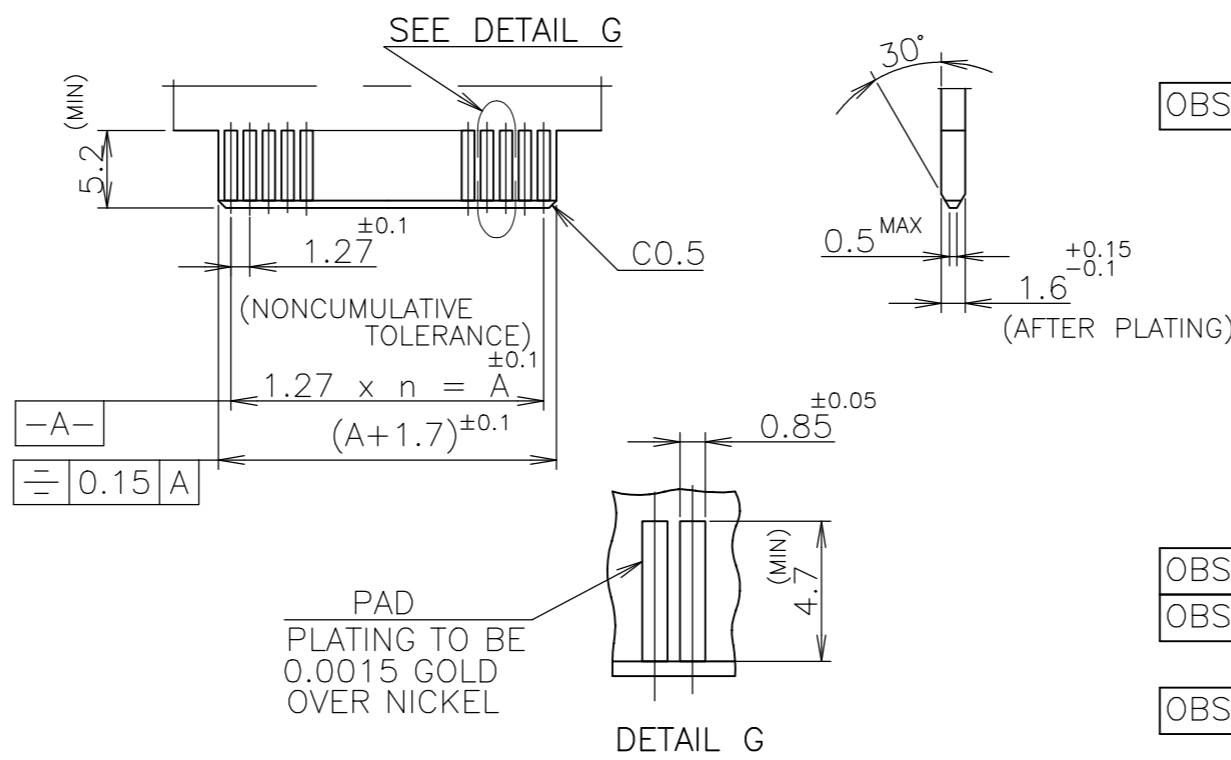
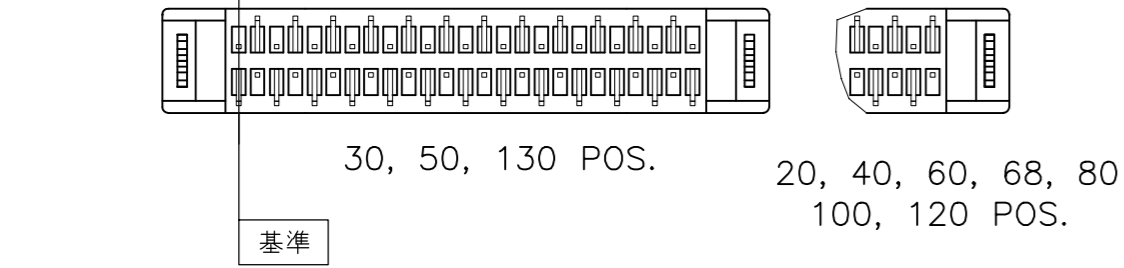
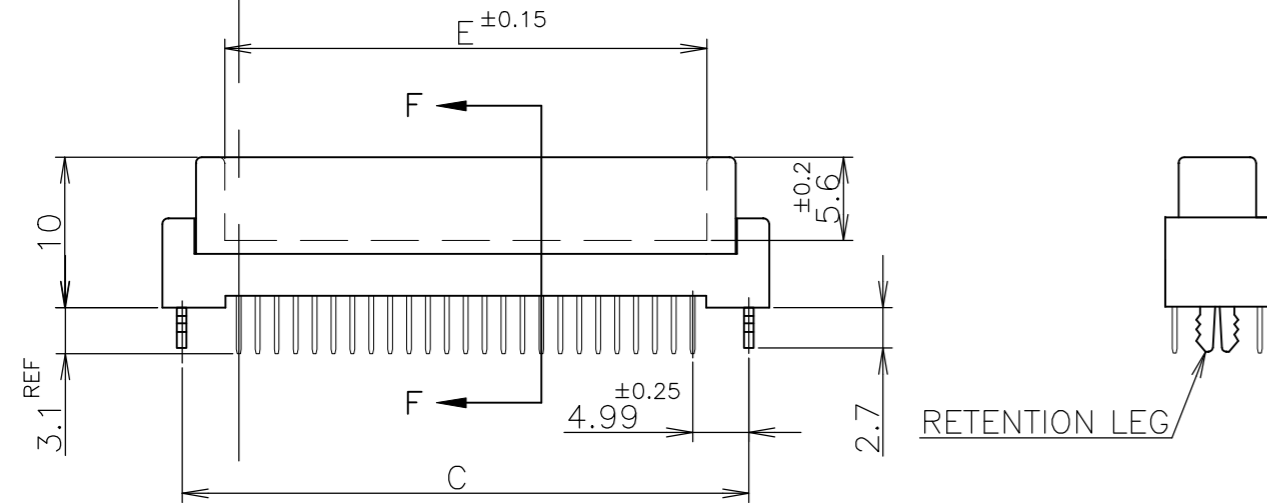


| REVISIONS | | | | | |
|-----------|-----|---------------------------|-----------|-----|------|
| P | LTR | DESCRIPTION | DATE | DWN | APVD |
| C | | REVISED PER ECO-17-008763 | 22JAN2018 | RG | SH |



- 1 NUMBER "n" IS COUNTED FROM DATUM (CIRCUIT NO.1 IS "AMP" MARK SIDE.)
- 2 MATERIAL: HOUSING, 66 NYLON (GF) UL 94V-0, BLACK. CONTACT, PHOSPHOR BRONZE. RETENTION LEG; BRASS.
- 3 FINISH: CONTACT; Au AT CONTACT AREA (SEE TABLE), TIN AT TINE, OVER Ni. RETENTION LEG; TIN UNDER Ni.
- 4 P.C. BOARD THK MUST BE 1.6 ±0.15 FOR CARD EDGE CONNECTOR



| OBsolete | 6- | -2 | | 130 | 64 | 81.28 | 86.82 | 91.25 | 93.90 | 83.18 |
|----------|----------|----------|---------|-----|----|-------|-------|-------|-------|-------|
| | 6- | -1 | | 120 | 59 | 74.93 | 80.47 | 84.90 | 87.55 | 76.83 |
| OBsolete | 6- | -0 | | 100 | 49 | 62.23 | 67.77 | 72.20 | 74.85 | 64.13 |
| OBsolete | 5- | -9 | | 80 | 39 | 49.53 | 55.07 | 59.50 | 62.15 | 51.43 |
| | 5- | -8 | | 68 | 33 | 41.91 | 47.45 | 51.88 | 54.53 | 43.81 |
| | 5- | -7 | | 60 | 29 | 36.83 | 42.37 | 46.80 | 49.45 | 38.73 |
| | 5- | -6 | | 50 | 24 | 30.48 | 36.02 | 40.45 | 43.10 | 32.38 |
| | 5- | -5 | | 40 | 19 | 24.13 | 29.67 | 34.10 | 36.75 | 26.03 |
| | 5- | -3 | | 30 | 14 | 17.78 | 23.32 | 27.75 | 30.40 | 19.68 |
| | 5- | -1 | 0.00076 | 20 | 9 | 11.43 | 16.97 | 21.40 | 24.05 | 13.33 |
| OBsolete | 4- | -2 | | 130 | 64 | 81.28 | 86.82 | 91.25 | 93.90 | 83.18 |
| | 4- | -1 | | 120 | 59 | 74.93 | 80.47 | 84.90 | 87.55 | 76.83 |
| | 4- | -0 | | 100 | 49 | 62.23 | 67.77 | 72.20 | 74.85 | 64.13 |
| | 3- | -9 | | 80 | 39 | 49.53 | 55.07 | 59.50 | 62.15 | 51.43 |
| | 3- | -8 | | 68 | 33 | 41.91 | 47.45 | 51.88 | 54.53 | 43.81 |
| | 3- | -7 | | 60 | 29 | 36.83 | 42.37 | 46.80 | 49.45 | 38.73 |
| | 3- | -6 | | 50 | 24 | 30.48 | 36.02 | 40.45 | 43.10 | 32.38 |
| | 3- | -5 | | 40 | 19 | 24.13 | 29.67 | 34.10 | 36.75 | 26.03 |
| | 3- | -3 | | 30 | 14 | 17.78 | 23.32 | 27.75 | 30.40 | 19.68 |
| | 3- | -1 | 0.0005 | 20 | 9 | 11.43 | 16.97 | 21.40 | 24.05 | 13.33 |
| OBsolete | 1- | -2 | | 130 | 64 | 81.28 | 86.82 | 91.25 | 93.90 | 83.18 |
| OBsolete | 1- | -1 | | 120 | 59 | 74.93 | 80.47 | 84.90 | 87.55 | 76.83 |
| | 1- | -0 | | 100 | 49 | 62.23 | 67.77 | 72.20 | 74.85 | 64.13 |
| OBsolete | | -9 | | 80 | 39 | 49.53 | 55.07 | 59.50 | 62.15 | 51.43 |
| | | -8 | | 68 | 33 | 41.91 | 47.45 | 51.88 | 54.53 | 43.81 |
| | | -7 | | 60 | 29 | 36.83 | 42.37 | 46.80 | 49.45 | 38.73 |
| | | -6 | | 50 | 24 | 30.48 | 36.02 | 40.45 | 43.10 | 32.38 |
| | | -5 | | 40 | 19 | 24.13 | 29.67 | 34.10 | 36.75 | 26.03 |
| | | -3 | | 30 | 14 | 17.78 | 23.32 | 27.75 | 30.40 | 19.68 |
| | | -1 | 0.0002 | 20 | 9 | 11.43 | 16.97 | 21.40 | 24.05 | 13.33 |
| | PART NO. | Au PLATE | POS. | n | A | B | C | D | E | |

RECOMMENDED P.C. BOARD DIMENSIONS.

LEAD FREE

GENERAL TOLERANCE
 10 ≥ : ±0.2
 30 > 10: ±0.25
 100 ≥ > 30: ±0.3
 ANGLES: ±3°

THIS DRAWING IS A CONTROLLED DOCUMENT.

DIMENSIONS: mm

TOLERANCES UNLESS OTHERWISE SPECIFIED:

| | |
|--------|---|
| 0 PLC | ± |
| 1 PLC | ± |
| 2 PLC | ± |
| 3 PLC | ± |
| 4 PLC | ± |
| ANGLES | ± |

MATERIAL: FINISH:

APVD: Steven Yao, Ikuro Enomoto

NAME: Steven Yao, Ikuro Enomoto

PRODUCT SPEC: 108-60038

APPLICATION SPEC: AMP CHAMP .050 CONNECTOR(B-T-B) RECEPTACLE CONNECTOR VERTICAL WITH RETENTION LEG

WEIGHT: 0.000000

CUSTOMER DRAWING

SCALE: NTS SHEET: 1 of 1 REV: C

5175475-1 0.0002

5175475

TE Connectivity Ltd.

Mouser Electronics

Authorized Distributor

Click to View Pricing, Inventory, Delivery & Lifecycle Information:

[TE Connectivity:](#)

[3-5175475-6](#)