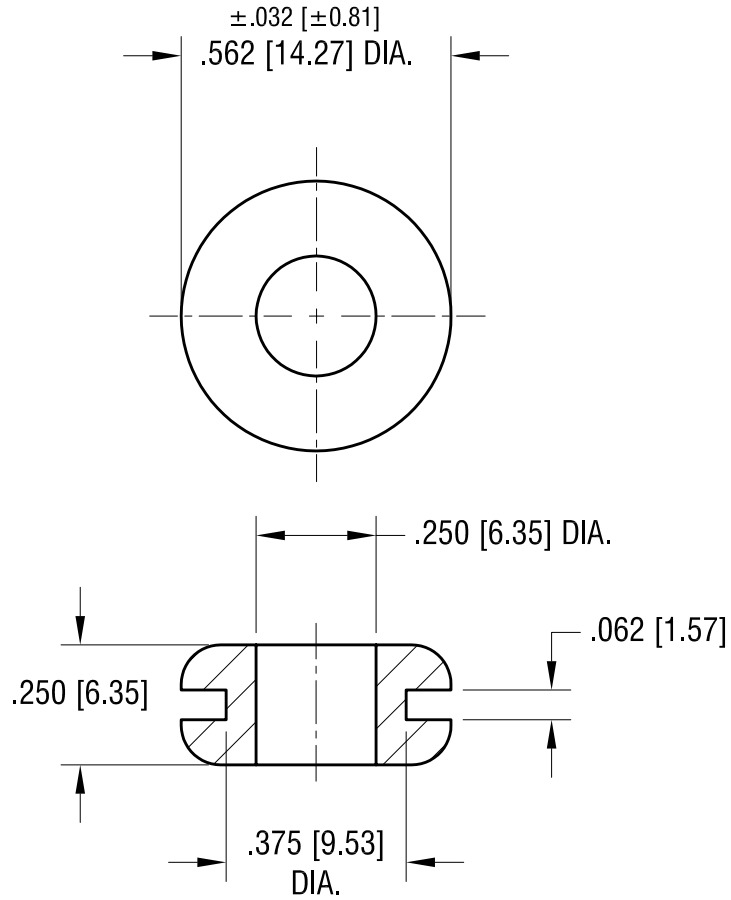


THIS DOCUMENT IS THE PROPERTY OF  
 KEYSTONE ELECTRONICS CORP. AND  
 SHALL NOT BE REPRODUCED, DISTRIBUTED  
 OR USED AS A BASIS FOR MANUFACTURE  
 WITHOUT PRIOR WRITTEN PERMISSION  
 FROM KEYSTONE ELECTRONICS CORP.



<b>KEYSTONE ELECTRONICS CORP.</b>			
ASTORIA, N.Y. 11105-2017			
PART NAME		RUBBER GROMMET	
MATERIAL		BUNA N	
FINISH	DRN BY	DATE	
-	BOONE	9.16.96	
	APP'D	SCALE	
	LN	2.5X	
TOLERANCES	INCH	[MM]	CODE
DECIMAL	$\pm .020$	$[\pm 0.50]$	C/M
ANGULAR	$\pm 1^\circ$		
UNLESS OTHERWISE SPECIFIED			DWG NO.
			<b>739</b>

1.02.08	CHANGE AS PER ECN 08-014	A
DATE	DESCRIPTION	REV.

# Mouser Electronics

Authorized Distributor

Click to View Pricing, Inventory, Delivery & Lifecycle Information:

[Keystone Electronics:](#)

[739](#)