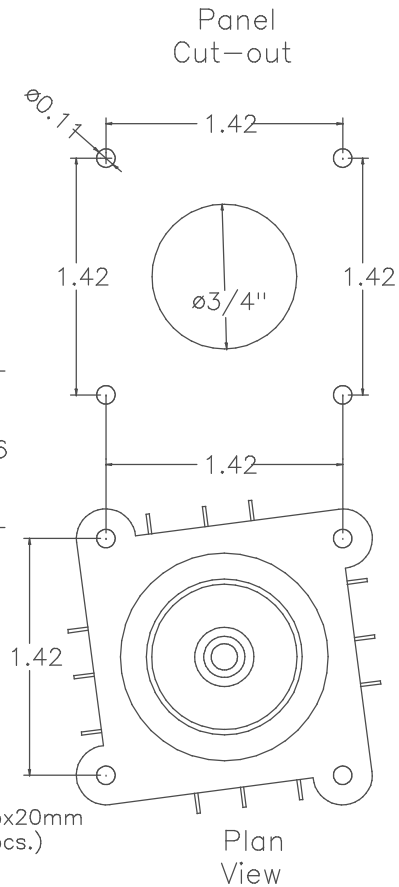
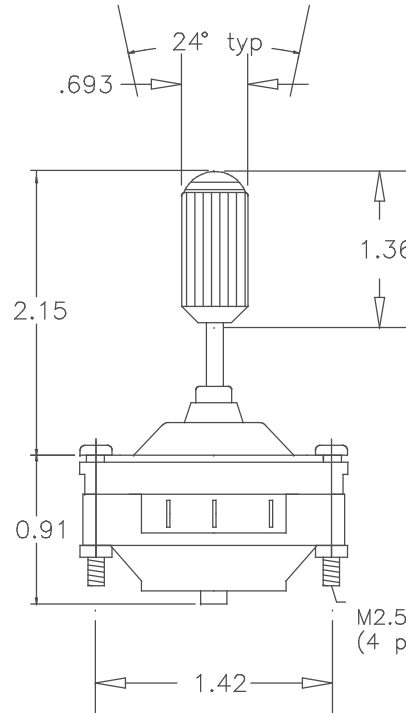
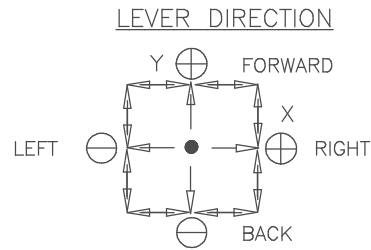


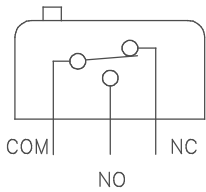
P/N J1-00105-S-G

ELECTRICAL CHARACTERISTICS.

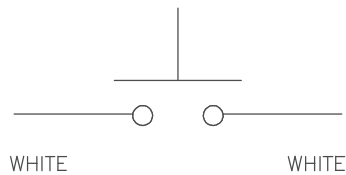
SWITCH TYPE \_\_\_\_\_ V4  
 NO. OF SWITCHES \_\_\_\_\_ 4  
 NOMINAL CURRENT \_\_\_\_\_ 5 AMP  
 MAX VOLTAGE \_\_\_\_\_ 250 VAC  
 CONTACT LIFE \_\_\_\_\_ LOAD DEPENDANT  
 TERMINATION \_\_\_\_\_ SOLDER  
 OPERATING TEMPERATURE \_\_\_\_\_ -20°C - +50°C  
 MECHANICAL LIFE \_\_\_\_\_ > 5 MILLION OPERATIONS  
 LEVER TRAVEL \_\_\_\_\_ ±12° FROM CENTER  
 LEVER MATERIAL \_\_\_\_\_ STAINLESS STEEL  
 BODY MATERIAL \_\_\_\_\_ MINERAL FILLED NYLON-6  
 KNOB MATERIAL \_\_\_\_\_ NYLON OR ALUMINUM  
 BOOT MATERIAL \_\_\_\_\_ VINYL  
 ENVIRONMENTAL \_\_\_\_\_ IP 65 ABOVE PANEL  
 PUSH-BUTTON SWITCH \_\_\_\_\_ 50VDC/0.1AMP



SWITCH SCHEMATICS:



PUSH-BUTTON:



TOLERANCES

XX = +/- .010" FRACT. = +/- 1/64"  
 XXX = +/- .005" ANGLES = +/- 1/2"  
 ALL SPECIFICATIONS SUBJECT TO CHANGE WITHOUT NOTICE.

SCALE NONE	DATE:	12-11-08
	BY:	AT
	APPR'D:	
CODE IDENT:	19477	



ETI SYSTEMS  
 CARLSBAD  
 CALIFORNIA

TITLE

SWITCH  
 STICK

PART NO.

J1-00105-S-G

# Mouser Electronics

Authorized Distributor

Click to View Pricing, Inventory, Delivery & Lifecycle Information:

[ETI Systems:](#)

[J1-00105-S-G](#)