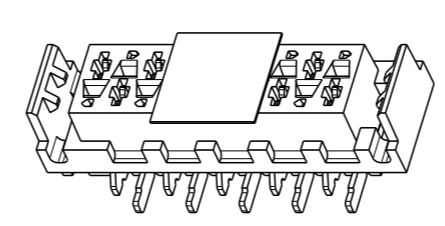
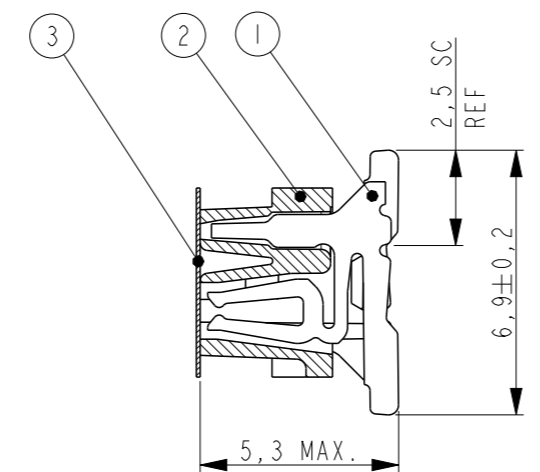
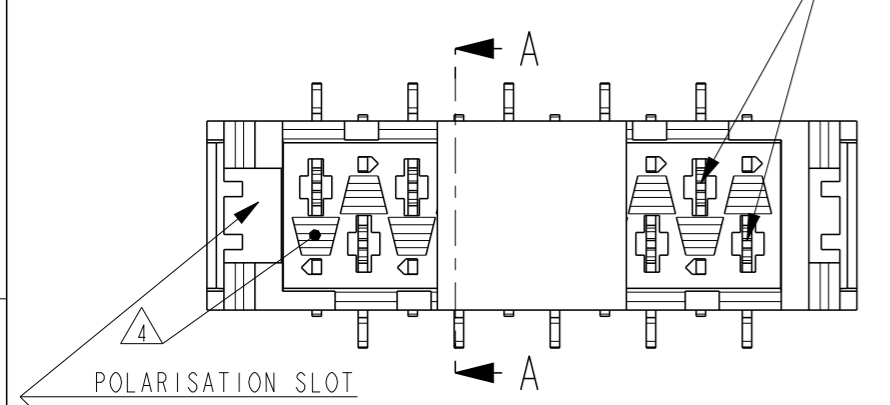


THIS DRAWING IS UNPUBLISHED. RELEASED FOR PUBLICATION. ALL RIGHTS RESERVED.

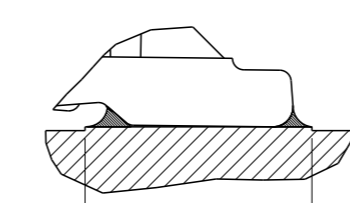
LOC H DIST -

REVISIONS					
P	LTR	DESCRIPTION	DATE	DWN	APVD
H3		APPLICATION SPECIFICATION NUMBER ADDED	24JUL2013	KJK	RP
H4		BLISTER MATERIAL CHANGE FOR 16POS	05MAY2015	NV	PS

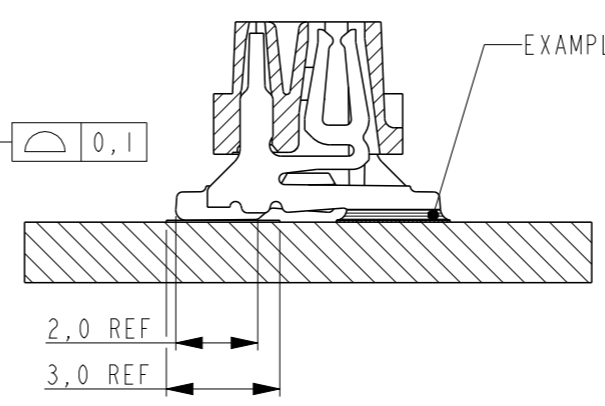
REFERENCE MATING INTERFACE PATTERN:
1,27 STAGGERED PITCH x 1,5 ROW-DISTANCE.



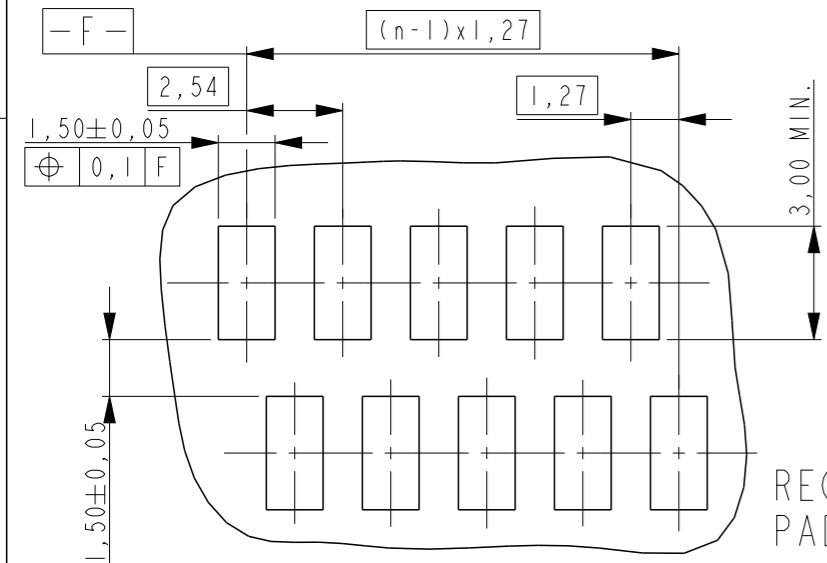
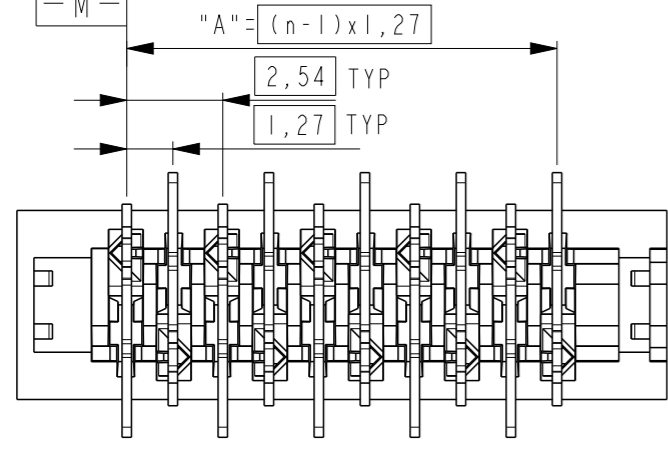
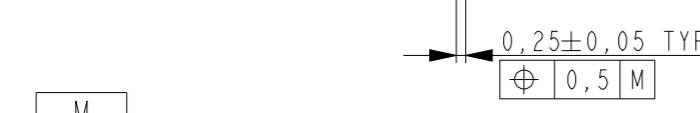
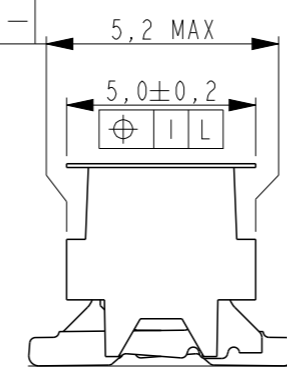
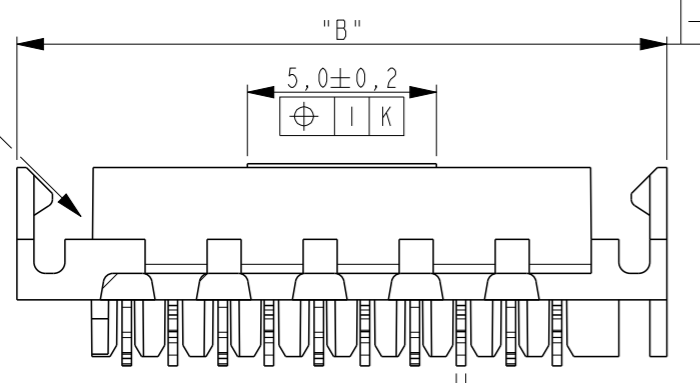
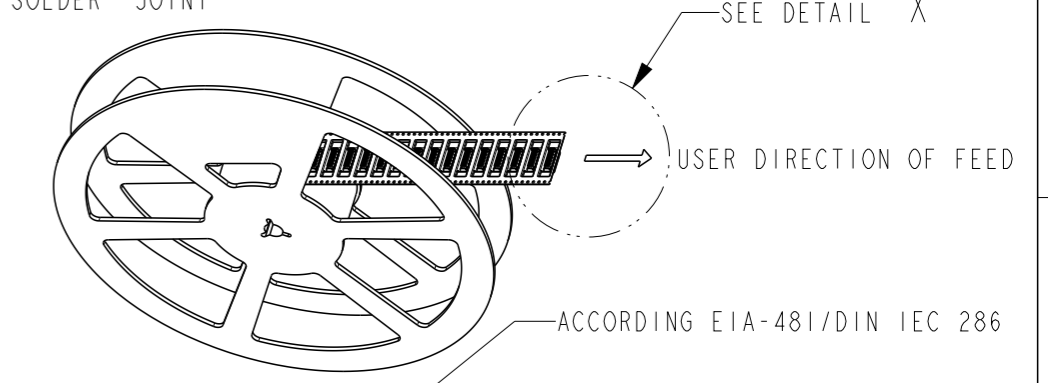
SCALE 3:1



SOLDER DETAIL SCALE 10:1



EXAMPLE SOLDER JOINT



RECOMMENDED PC-BOARD PAD-LAYOUT TOP VIEW

NOTES:

- 1 TAPE FOR VACUUM P&P ONLY FOR DASH NUMBERS 7- /8- /9-
- 2 FOR PACKAGING SEE SHEET 2 AND 3
- 3 WITHOUT VACUUM TAPE.
- 4 CORING-OUTS FOR MANUFACTURING PURPOSE ONLY. SHAPE MAY VARY, BUT IS NOT FUNCTIONAL FOR THE APPLICATION.
- 5 SHOWN IS A 10 POSITION CONNECTOR.

△ PART NUMBER VAC. TAPE.	PART NUMBER ³	PART REV	NR. OF POS. "n"	"A"	"B" MAX.
7-338069-4	0-338069-4	K	4	3,81	9,7
7-338069-6	0-338069-6	K	6	6,35	12,2
7-338069-8	0-338069-8	K	8	8,89	14,7
8-338069-0	1-338069-0	K	10	11,43	17,3
8-338069-2	1-338069-2	K	12	13,97	19,8
8-338069-4	1-338069-4	K	14	16,51	22,4
8-338069-6	1-338069-6	L	16	19,05	24,9
8-338069-8	1-338069-8	K	18	21,59	27,4
9-338069-0	2-338069-0	K	20	24,13	30,0
9-338069-4	2-338069-4	K	24	29,21	35,0

THIS DRAWING IS A CONTROLLED DOCUMENT.

DIMENSIONS:	TOLERANCES UNLESS OTHERWISE SPECIFIED:
mm	
0 PLC	±-
1 PLC	±-
2 PLC	±-
3 PLC	±-
4 PLC	±-
ANGLES	±-
FINISH	SEE TABLE

Item no.	Description	Material	Finish
3	PICK & PLACE TAPE	KAPTON	AMBER TRANSPARENT
2	FEMALE HOUSING	POLYAMIDE 4/6,GF	RED
1	FEMALE CONTACT	PHOSPHOR BRONZE	TIN OVER NICKEL

DWN IIDECO1
M.Gosselink
CHK -
APVD -
PRODUCT SPEC 108-19052
APPLICATION SPEC 114-13318
WEIGHT -



CONNECTOR, FEMALE-ON-BOARD TOP-ENTRY, SMD, WITH LATCHES, Micro-MaTch

SIZE	CAGE CODE	DRAWING NO	RESTRICTED TO
A3	00779	0-338069	-

THIS DRAWING IS UNPUBLISHED.

RELEASED FOR PUBLICATION

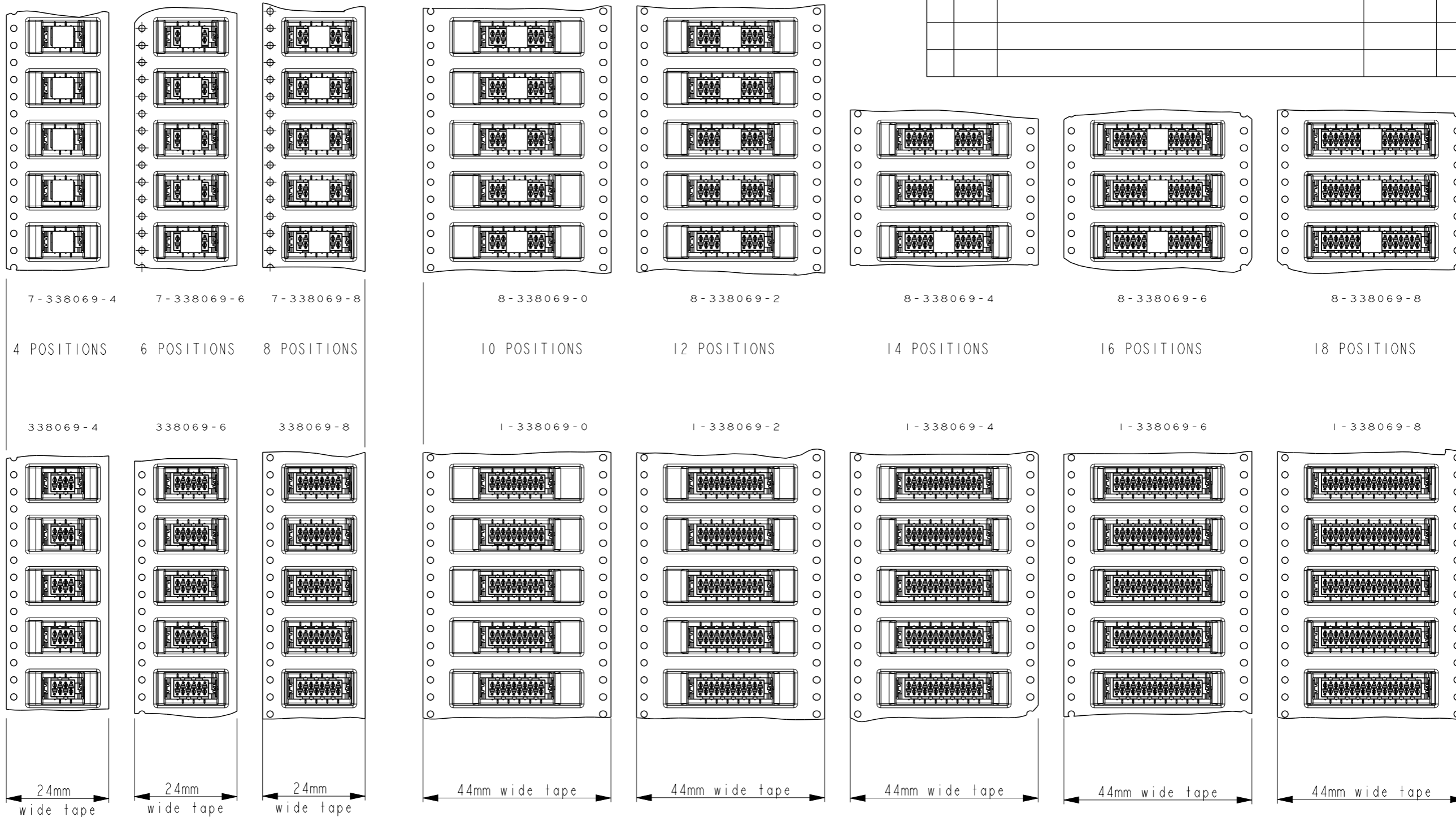
© COPYRIGHT -


ALL RIGHTS RESERVED.

LOC H DIST -

REVISIONS

P	LTR	DESCRIPTION	DATE	DWN	APVD
-	-	SEE SHEET 1	-	-	-



THIS DRAWING IS A CONTROLLED DOCUMENT.		DWN M. Gosselink	IIDECO1		TE Connectivity	
DIMENSIONS: mm		CHK -	APVD -		NAME CONNECTOR, FEMALE-ON-BOARD TOP-ENTRY, SMD, WITH LATCHES, Micro-MaTch	
TOLERANCES UNLESS OTHERWISE SPECIFIED:		PRODUCT SPEC 108-19052	APPLICATION SPEC 114-13318	SIZE A3	CAGE CODE 00779	DRAWING NO C-338069
MATERIAL -		FINISH -	WEIGHT -	RESTRICTED TO -		SCALE 5:1
<ul style="list-style-type: none"> 0 PLC ±- 1 PLC ±- 2 PLC ±- 3 PLC ±- 4 PLC ±- ANGLES ±- 		CUSTOMER DRAWING		SHEET 2 OF 3		REV H4

THIS DRAWING IS UNPUBLISHED.

RELEASED FOR PUBLICATION

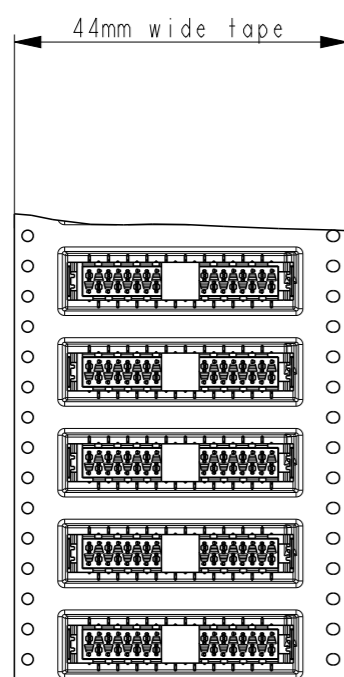
© COPYRIGHT -

ALL RIGHTS RESERVED.

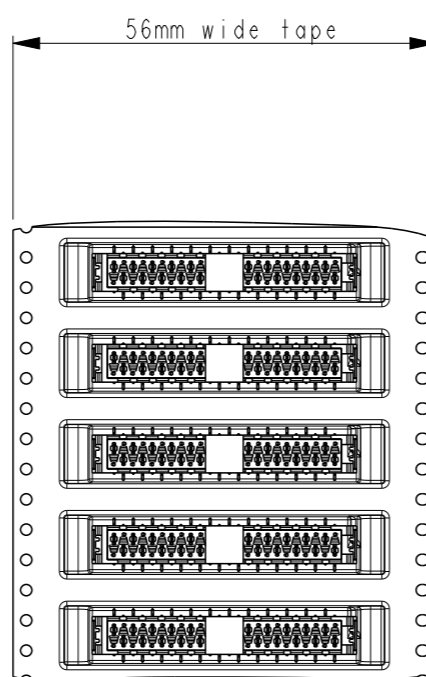
LOC H DIST -

REVISIONS

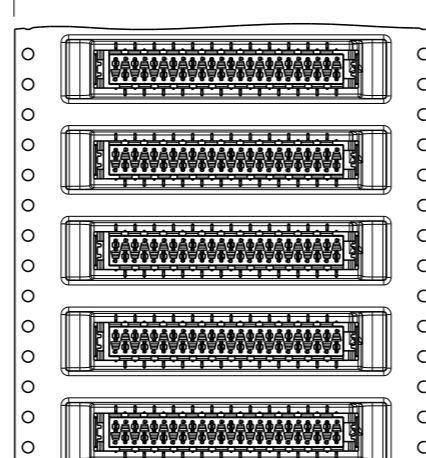
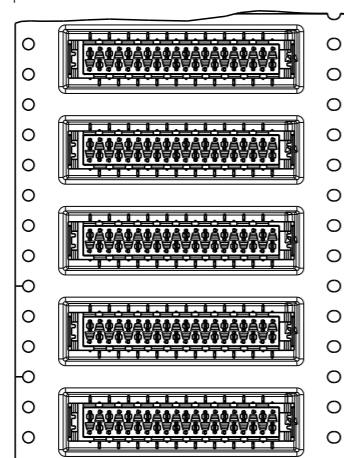
P	LTR	DESCRIPTION	DATE	DWN	APVD
-	-	SEE SHEET 1	-	-	-



9-338069-0
20 POSITIONS
2-338069-0

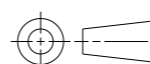


9-338069-4
24 POSITIONS
2-338069-4



THIS DRAWING IS A CONTROLLED DOCUMENT.

DIMENSIONS:
mm



TOLERANCES UNLESS OTHERWISE SPECIFIED:

- 0 PLC ±-
- 1 PLC ±-
- 2 PLC ±-
- 3 PLC ±-
- 4 PLC ±-
- ANGLES ±-
- FINISH -

MATERIAL -

DWN M. Gosselink IDECO1

CHK -

APVD -

PRODUCT SPEC

108-19052

APPLICATION SPEC

114-13318

WEIGHT -

CUSTOMER DRAWING



TE Connectivity

NAME
CONNECTOR,
FEMALE-ON-BOARD TOP-ENTRY,
SMD, WITH LATCHES, Micro-MaTch

SIZE CAGE CODE DRAWING NO RESTRICTED TO

A3 00779 C-338069

SCALE 5:1 SHEET 3 OF 3 REV H4

Mouser Electronics

Authorized Distributor

Click to View Pricing, Inventory, Delivery & Lifecycle Information:

[TE Connectivity:](#)

[7-338069-8](#)