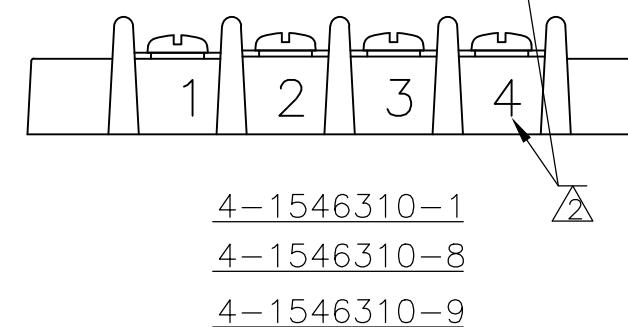
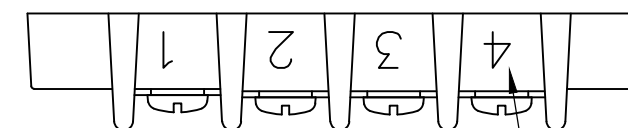
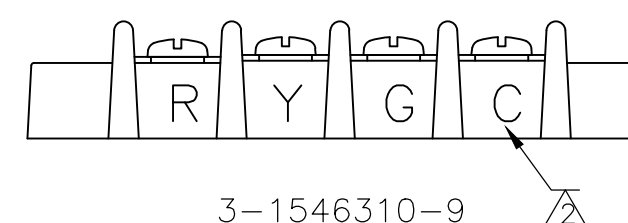
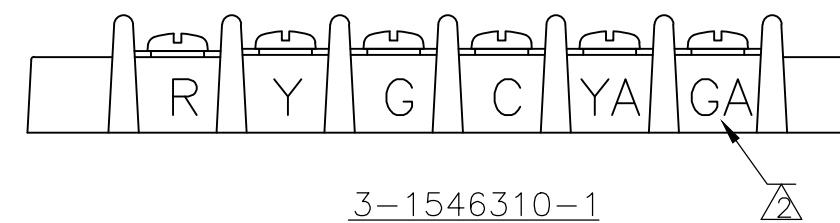
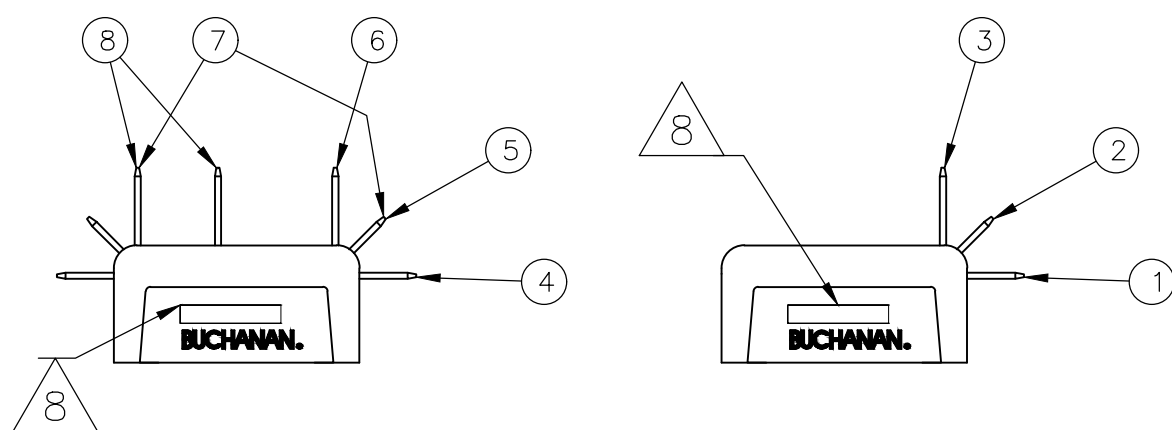
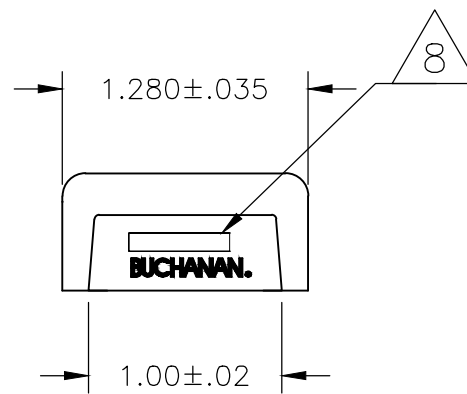
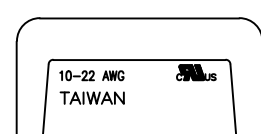
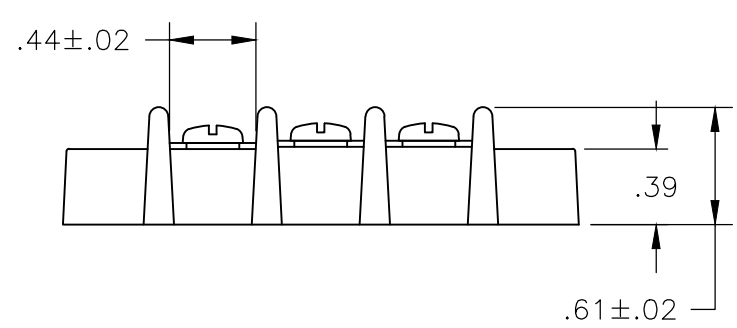
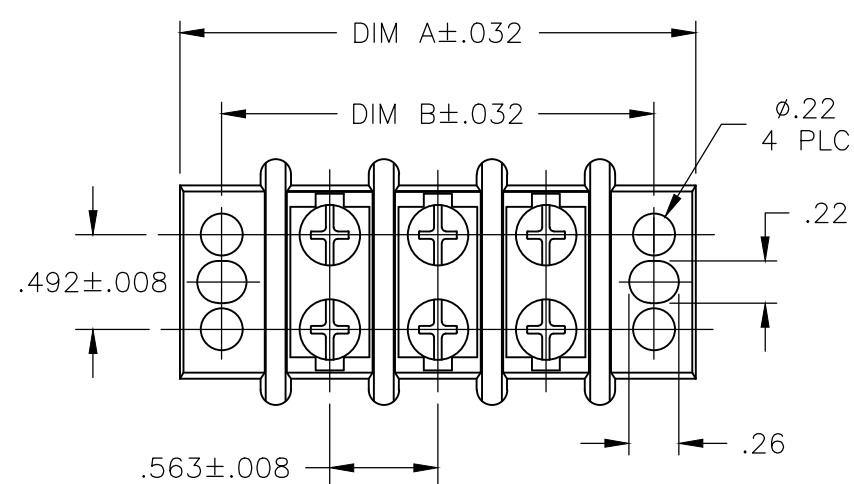


THIS DRAWING IS UNPUBLISHED. RELEASED FOR PUBLICATION
 © COPYRIGHT - By - ALL RIGHTS RESERVED.

REVISIONS				
P	LTR	DESCRIPTION	DATE	APVD
-	-	SEE SHEET 1	-	-



REV	DESCRIPTION	DATE	BY	CHK	APVD	QTY	POSN	NO. OF POSN	DIM B	DIM A	PART NUMBER
2						2		14	1.693	2.130	5-1546310-1
									10.701	11.138	1-1546310-8
									10.138	10.575	1-1546310-7
									9.575	10.012	1-1546310-6
									9.012	9.449	1-1546310-5
6								14	8.449	8.886	4-1546310-9
									8.449	8.886	1-1546310-4

NOTES: (9) OTB JUMPER (8) .250 QC TAB 90° DOUBLE SIDE (7) .250 QC TAB 90°/45° DOUBLE SIDE (6) .250 QC TAB 90° DOUBLE SIDE (5) .250 QC TAB 45° DOUBLE SIDE (4) .250 QC TAB STRAIGHT DOUBLE SIDE (3) .250 QC TAB 90° SINGLE SIDE (2) .250 QC TAB 45° SINGLE SIDE (1) .250 QC TAB STRAIGHT SINGLE SIDE

THIS DRAWING IS A CONTROLLED DOCUMENT.

DIMENSIONS: INCHES

TOLERANCES UNLESS OTHERWISE SPECIFIED:

0 PLC	±	-
1 PLC	±	-
2 PLC	±	-
3 PLC	±	-
4 PLC	±	-
ANGLES	±	-

MATERIAL: - FINISH: -

DWN: S SCHLEGEL 16FEB2007
 CHK: S YODER 2/16/07
 APVD: S YODER 2/16/07

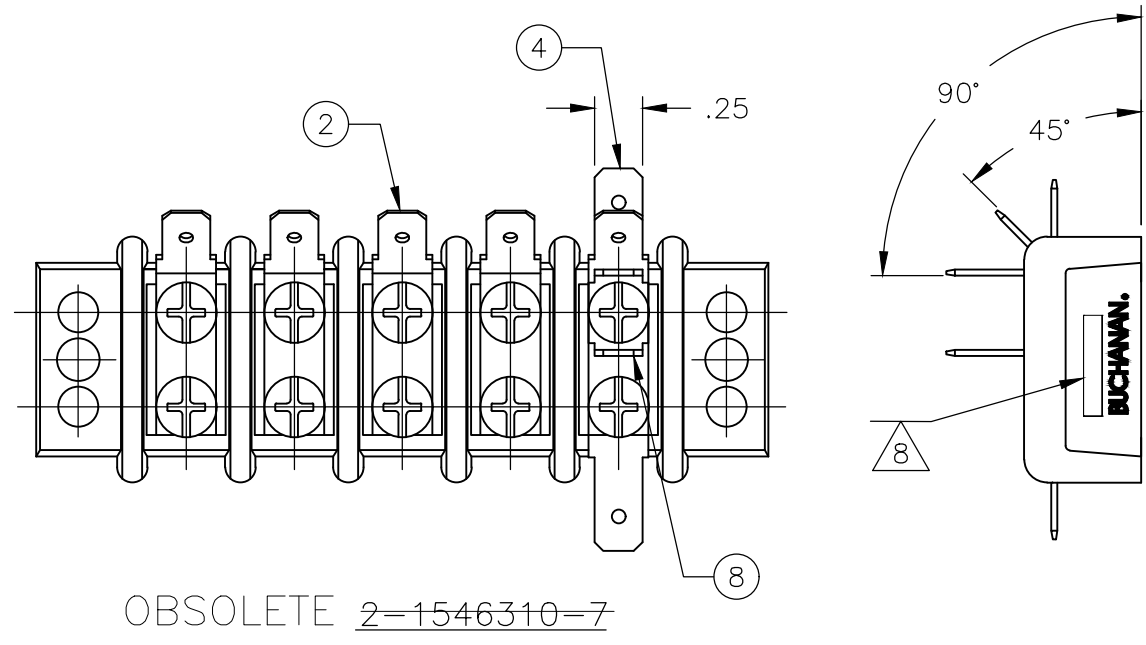
NAME: 14.3 (.563) DBL ROW BARRIER STRIP W/O WASHER

SIZE: A2 CAGE CODE: 00779 DRAWING NO: C=1546310 RESTRICTED TO: -

CUSTOMER DRAWING SCALE: NTS SHEET: 2 OF 4 REV: T5

THIS DRAWING IS UNPUBLISHED. RELEASED FOR PUBLICATION
 © COPYRIGHT - By - ALL RIGHTS RESERVED.

REVISIONS					
P	LTR	DESCRIPTION	DATE	DWN	APVD
-	-	SEE SHEET 1	-	-	-

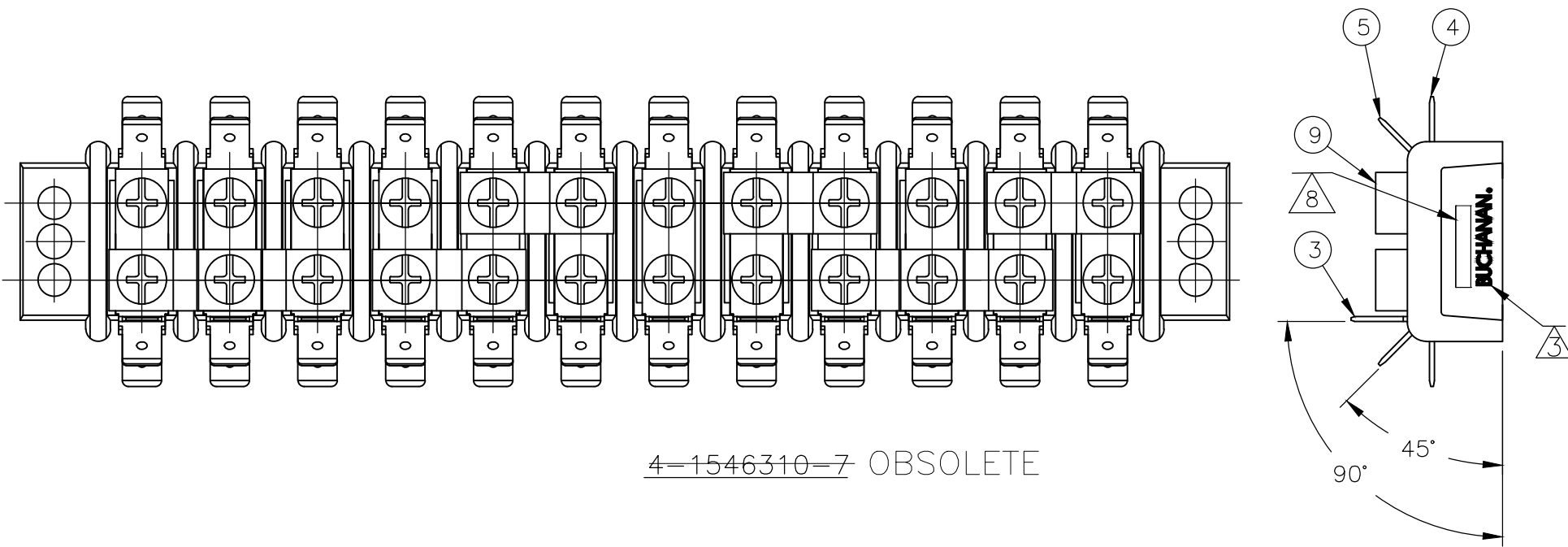


1546310

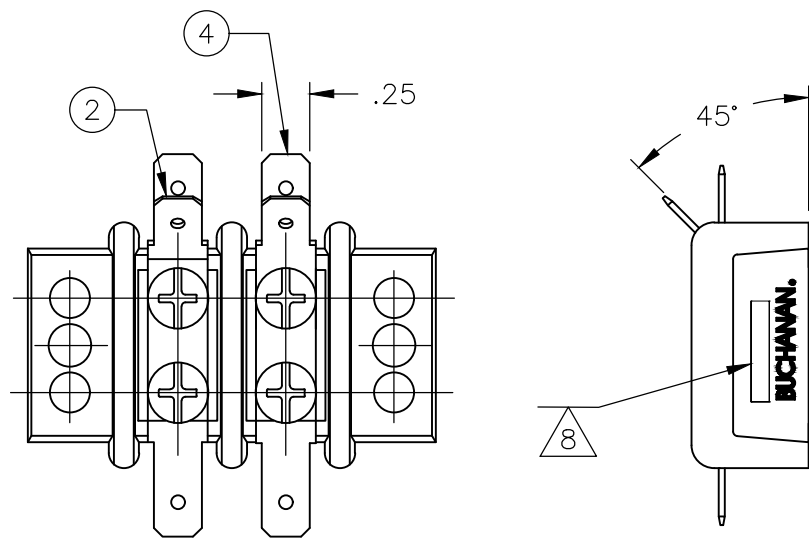
THIS DRAWING IS A CONTROLLED DOCUMENT.		DWN S SCHLEGEL 16FEB2007	TE Connectivity Ltd.																			
DIMENSIONS: INCHES		CHK S YODER 2/16/07																				
TOLERANCES UNLESS OTHERWISE SPECIFIED:		APVD S YODER 2/16/07	NAME 14.3 (.563) DBL ROW BARRIER STRIP W/O WASHER																			
<table border="0"> <tr><td>0 PLC</td><td>±</td><td>-</td></tr> <tr><td>1 PLC</td><td>±</td><td>-</td></tr> <tr><td>2 PLC</td><td>±</td><td>-</td></tr> <tr><td>3 PLC</td><td>±</td><td>-</td></tr> <tr><td>4 PLC</td><td>±</td><td>-</td></tr> <tr><td>ANGLES</td><td>±</td><td>-</td></tr> </table>		0 PLC	±	-	1 PLC	±	-	2 PLC	±	-	3 PLC	±	-	4 PLC	±	-	ANGLES	±	-	PRODUCT SPEC -	SIZE A2	CAGE CODE 00779
0 PLC	±	-																				
1 PLC	±	-																				
2 PLC	±	-																				
3 PLC	±	-																				
4 PLC	±	-																				
ANGLES	±	-																				
MATERIAL -		FINISH -	DRAWING NO C=1546310	RESTRICTED TO -																		
CUSTOMER DRAWING			SCALE NTS	SHEET 3 OF 4																		
			REV T5																			

THIS DRAWING IS UNPUBLISHED. RELEASED FOR PUBLICATION
 © COPYRIGHT - By - ALL RIGHTS RESERVED.

REVISIONS				
P	LTR	DESCRIPTION	DATE	APVD
-	-	SEE SHEET 1	-	-



4-1546310-7 OBSOLETE



5-1546310-1

THIS DRAWING IS A CONTROLLED DOCUMENT.		DWN 16FEB2007 S SCHLEGEL	TE Connectivity Ltd.	
DIMENSIONS: INCHES		CHK 2/16/07 S YODER		
TOLERANCES UNLESS OTHERWISE SPECIFIED:		APVD 2/16/07 S YODER	NAME 14.3 (.563) DBL ROW BARRIER STRIP W/O WASHER	
		PRODUCT SPEC -	SIZE A2	
MATERIAL -		APPLICATION SPEC -	CAGE CODE 00779	DRAWING NO C=1546310
FINISH -		WEIGHT -	SCALE NTS	SHEET 4 OF 4
CUSTOMER DRAWING			RESTRICTED TO -	REV T5

Mouser Electronics

Authorized Distributor

Click to View Pricing, Inventory, Delivery & Lifecycle Information:

[TE Connectivity:](#)

[1546310-6](#)