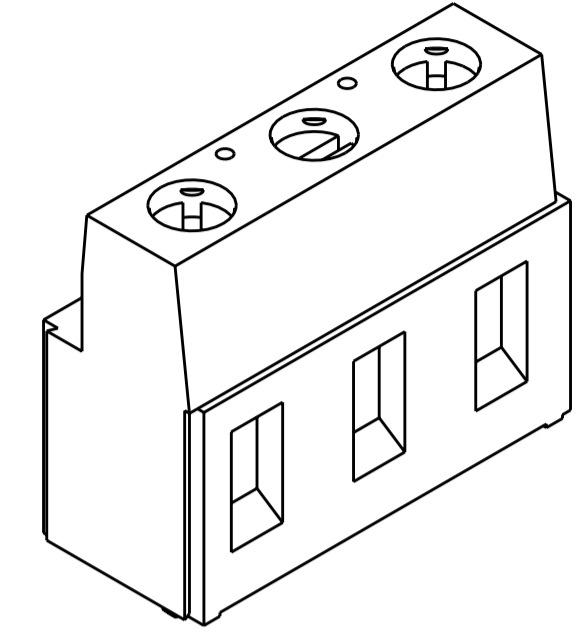
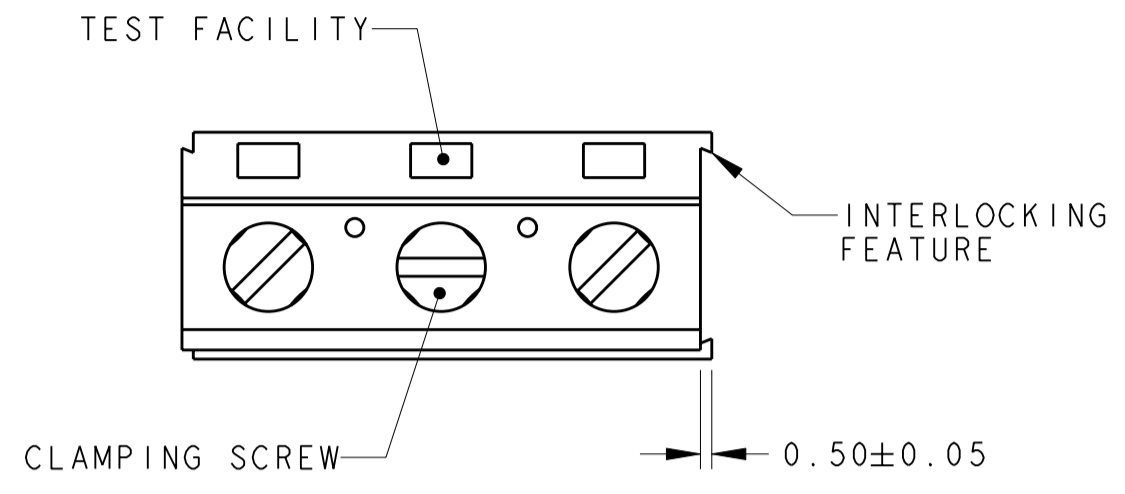


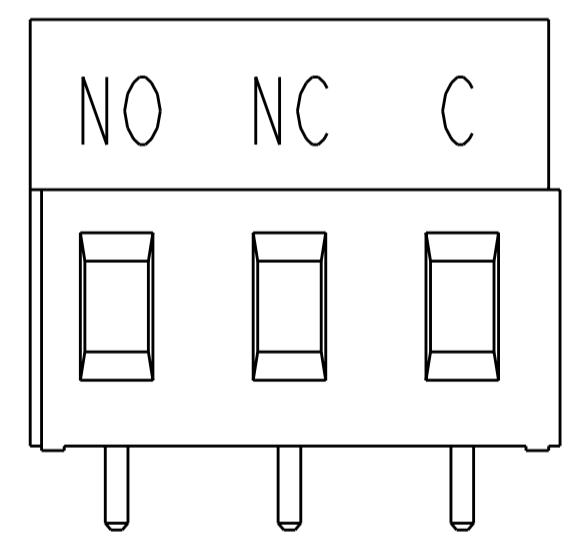
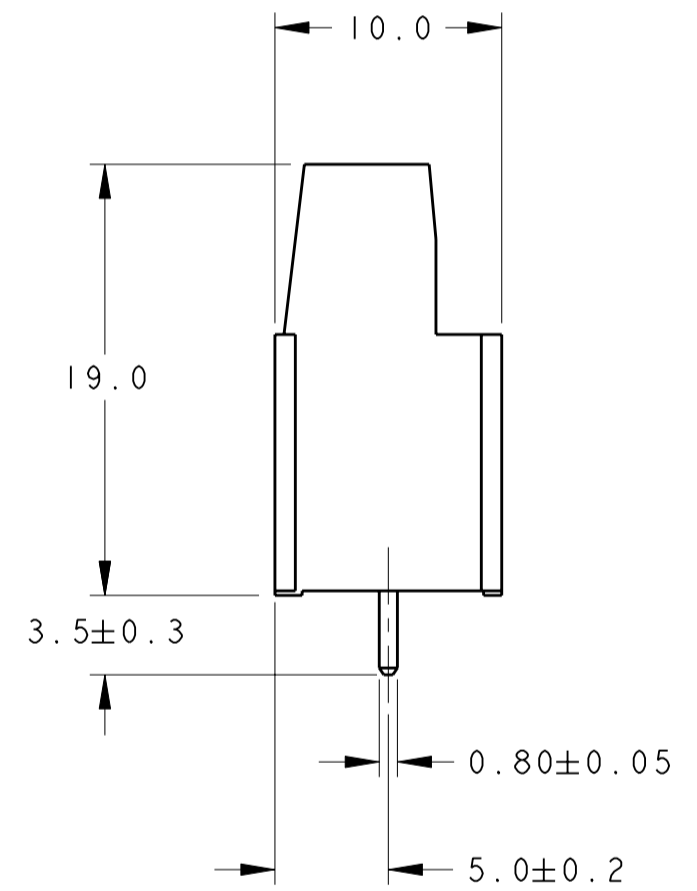
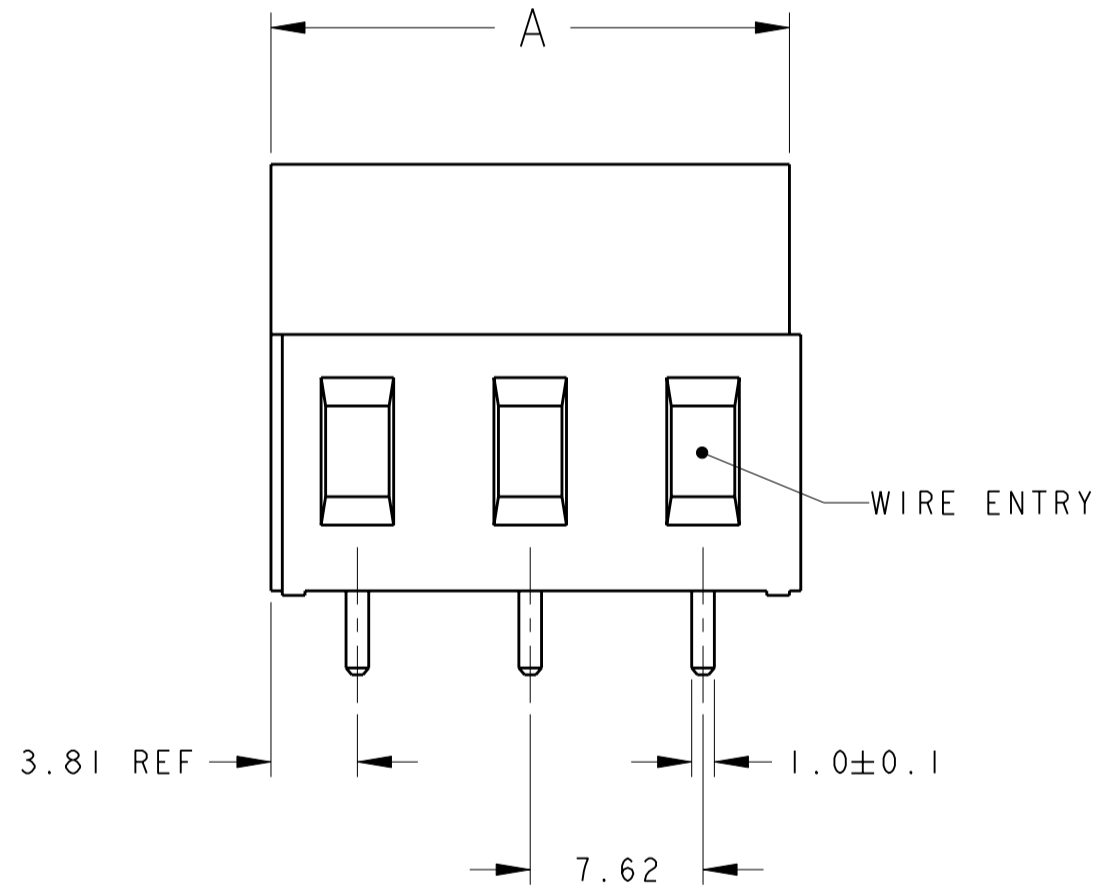
THIS DRAWING IS UNPUBLISHED. RELEASED FOR PUBLICATION 20
 © COPYRIGHT 20 BY TYCO ELECTRONICS CORPORATION. ALL RIGHTS RESERVED.

LOC	DIST	REVISIONS			
P	LTR	DESCRIPTION	DATE	DWN	APVD
	D	REVISED EC 0G3B-0383-02	05JUN2003	SW	CR
	DI	REVISED ECO-07-008833	23APR2007	SW	CR

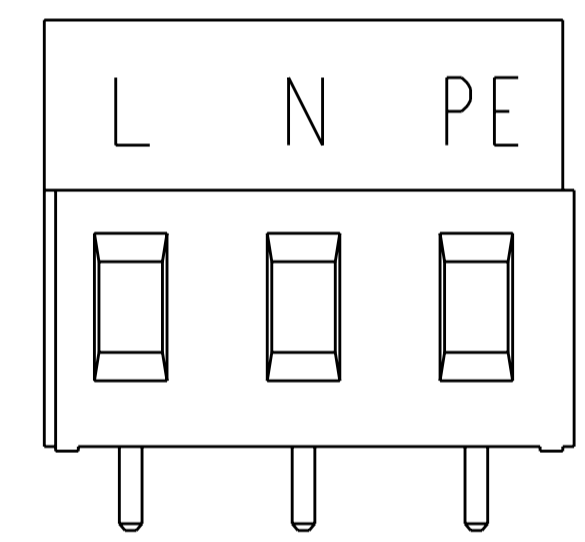


282861-3 AS SHOWN

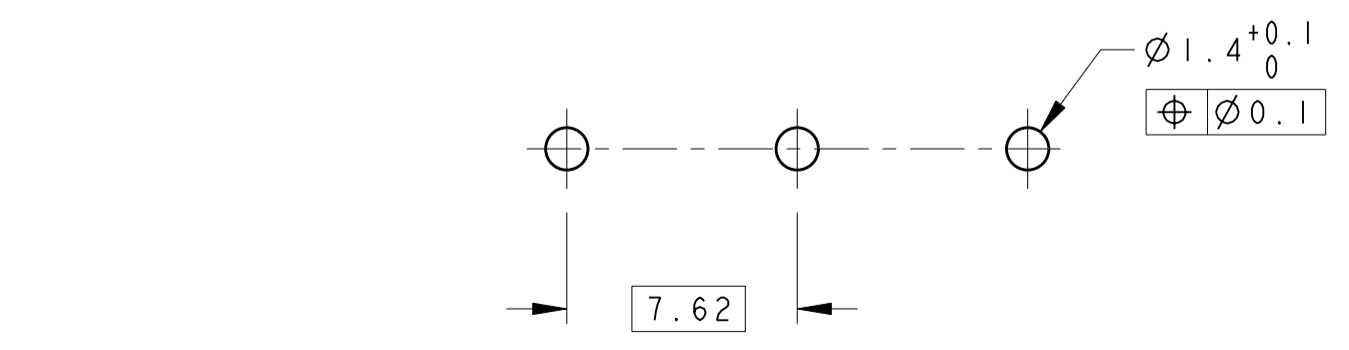
- 1 MATERIALS AND FINISH
 HOUSING: PA 6-6, UL 94-V0, COLOR: SEE TABLE.
 CLAMP: BRASS, NICKEL PLATED.
 TERMINAL: BRASS, TIN PLATED.
 CLAMPING SCREW: M3, BRASS, NICKEL PLATED.
- 2. SUITABLE FOR 1,6-2,4mm PC BOARD THICKNESS.
- 3. END-TO-END STACKABLE W/INTERLOCK WITHOUT LOSS OF CENTERLINE SPACING.
- 4. WIRE SIZE RANGE: 12 - 30 AWG.
- 5. RECOGNIZED UNDER THE COMPONENT PROGRAM OF UNDERWRITERS LABORATORIES INC. FILE N° E60677.
- 6. IMQ CERTIFICATE WITH SURVEILLANCE IN CONFORMITY WITH IEC 998-1/998-2-1.
- 7 NOT CUMULATIVE TOLERANCE.
- 8 INK MARKING, BLACK COLOR.



DETAIL L 8



DETAIL M 8



RECOMMENDED PC BOARD LAYOUT

GREEN	SEE DETAIL M	22.86	3	282861-5
GRAY	SEE DETAIL L	22.86	3	282861-4
GREEN	-	22.86	3	282861-3
GREEN	-	15.24	2	282861-2
HOUSING COLOR	MARKING	A	NO OF POSN	PART NUMBER

THIS DRAWING IS A CONTROLLED DOCUMENT FOR TYCO ELECTRONICS CORPORATION. IT IS SUBJECT TO CHANGE AND THE CONTROLLING ENGINEERING ORGANIZATION SHOULD BE CONTACTED FOR THE LATEST REVISION.		DWN E. ZANOLINI 24OCT2001	Tyco Electronics Harrisburg, PA 17105-3608	
DIMENSIONS: mm		CHK D. BIEVENOUR 24OCT2001	NAME BUCHANAN	
TOLERANCES UNLESS OTHERWISE SPECIFIED: 0 PLC ±- 1 PLC ±.3 2 PLC ±.25 3 PLC ±. 4 PLC ±. ANGLES ±2 FINISH		APVD D. BIEVENOUR 24OCT2001	PRODUCT SPEC 108-20166	
MATERIAL		APPLICATION SPEC 114-20079	RESTRICTED TO	
1		WEIGHT -	SIZE A2	CAGE CODE 00779
CUSTOMER DRAWING		SCALE 3:1	DRAWING NO G-282861	SHEET OF 1 1
				REV DI

Mouser Electronics

Authorized Distributor

Click to View Pricing, Inventory, Delivery & Lifecycle Information:

[TE Connectivity:](#)

[282861-2](#)