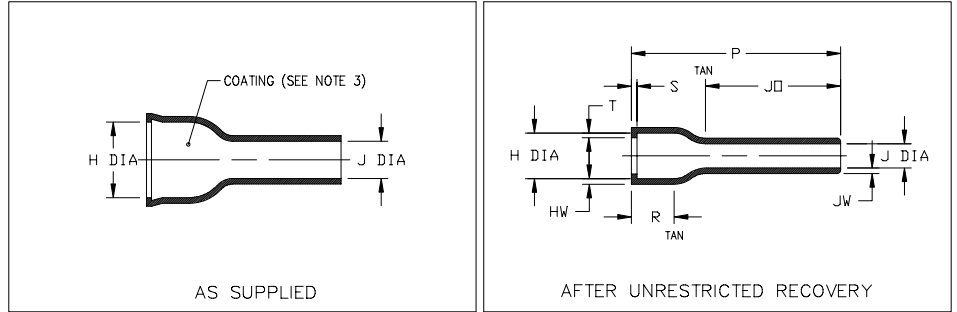


Molded Parts Specification Control Drawing

Part Number : 202D211-X-63
Description : Boot, Straight, With Lip

NOTES

- All dimensions are in $\frac{\text{inches}}{\text{[millimeters]}}$
- Dimensions appearing in table are as follows:
 - a - As Supplied
 - b - After Unrestricted Recovery
- Coating is optional. As supplied dimensions appearing in table are for uncoated parts. When coating is added, entry diameters will be reduced by .06 max.



PART NUMBER	H		J		P	R	S	T	JO	HW	JW
	Min	Max	Min	Max	±10%	Ref	Ref	Ref	±10%	±20%	±20%
	a	b	a	b	b	b	b	b	b	b	b
202D211-X-63	.60 [15,2]	.45 [11,4]	.43 [10,9]	.25 [6,3]	1.80 [45,7]	.46 [11,7]	.12 [3,0]	.04 [1,0]	1.03 [26,2]	.06 [1,52]	.045 [1,1]

If this document is printed it becomes uncontrolled.
Check for the latest revision.



TYCO ELECTRONICS
307 CONSTITUTION DRIVE
MENLO PARK, CALIFORNIA 94025

Revision : G
Date : 01/21/03

Part Number : 202D211-X-63
Description : Boot, Straight, With Lip

Molded Parts Specification Control Drawing

Part Number : 202D211-X-63
Description : Boot, Straight, With Lip

COMPATABILITY CHART					
MATERIAL DASH NO.	MATERIAL DESCRIPTION	RT SPEC	COATING SLASH NO.	COATING S NO.	COATING DESCRIPTION
-3	Polyolefin, Semi-rigid	RT-301	/42,/86	S-1017,S-1048	Adhesive
-4	Polyolefin, Flexible	RT-1304	/42,/86	S-1017,S-1048	Adhesive
-130	Polyolefin, Flexible	RW-2008	/42,/86	S-1017,S-1048	Adhesive

ORDERING INFORMATION

202D211 -X- 63 /XX

Base part number _____
Material dash number _____
(See Compatability Chart)
Modification number _____
(If necessary, see front of scd binder for a complete list)
Adhesive slash number _____
(If necessary, see Compatability Chart)

THIS DRAWING IS SUBJECT TO CHANGE WITHOUT NOTICE; CONSULT YOUR NEAREST FIELD REPRESENTATIVE FOR CURRENT REVISION



TYCO ELECTRONICS
307 CONSTITUTION DRIVE
MENLO PARK, CALIFORNIA 94025

Revision : G
Date : 01/21/03

Part Number : 202D211-X-63
Description : Boot, Straight, With Lip

CAD FILE MP03005

Mouser Electronics

Authorized Distributor

Click to View Pricing, Inventory, Delivery & Lifecycle Information:

[TE Connectivity:](#)

[202D211-3-63/42-0](#)