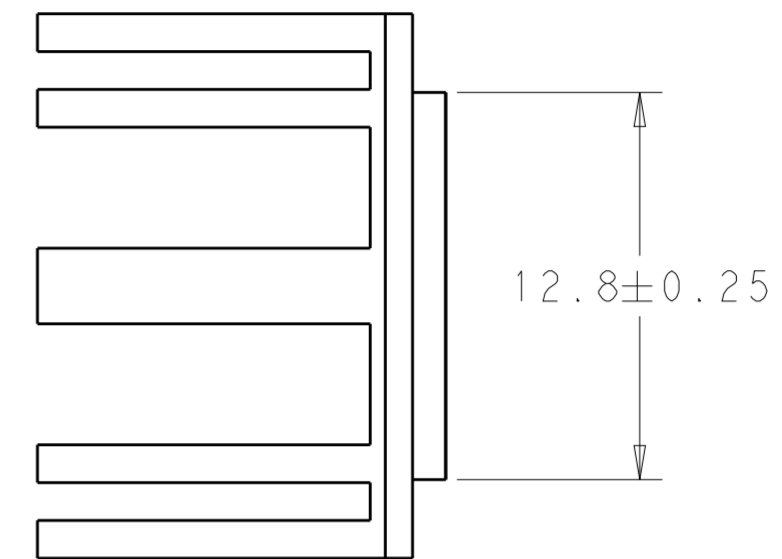
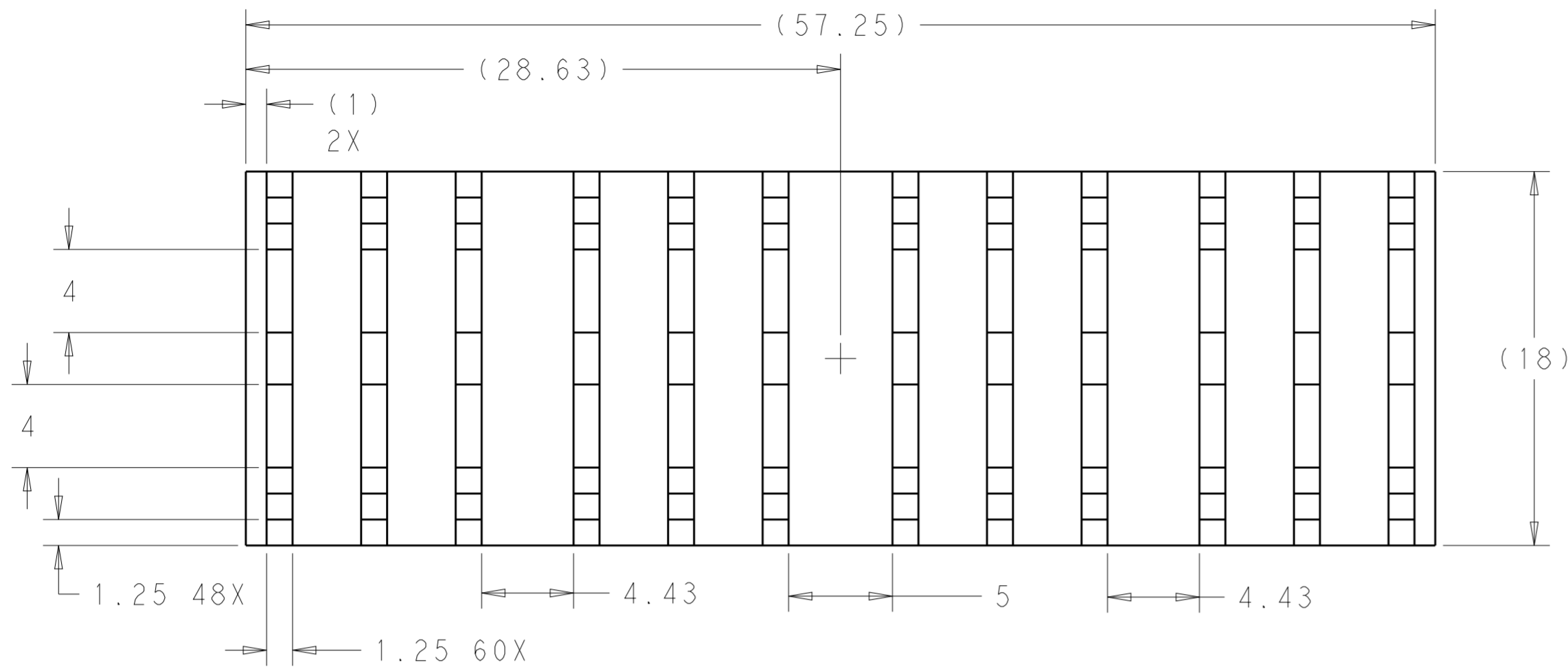
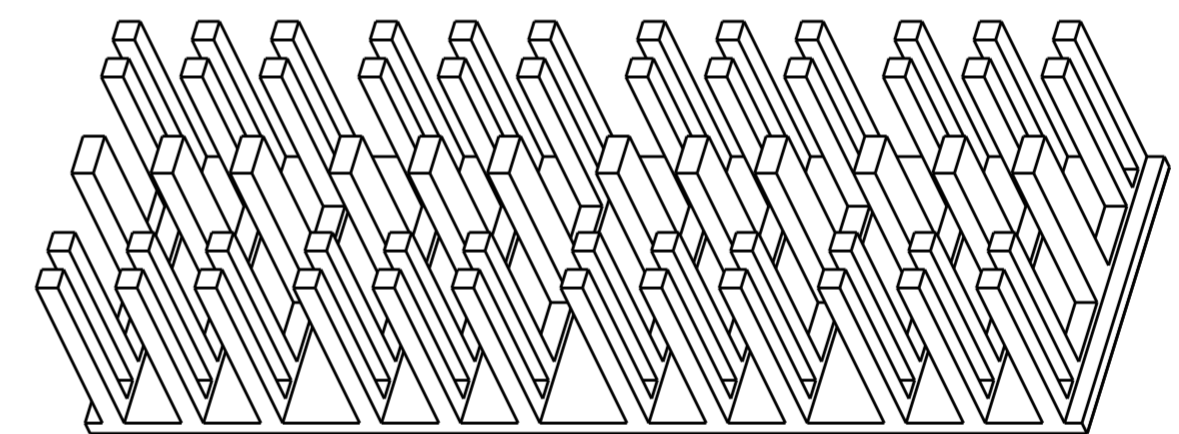
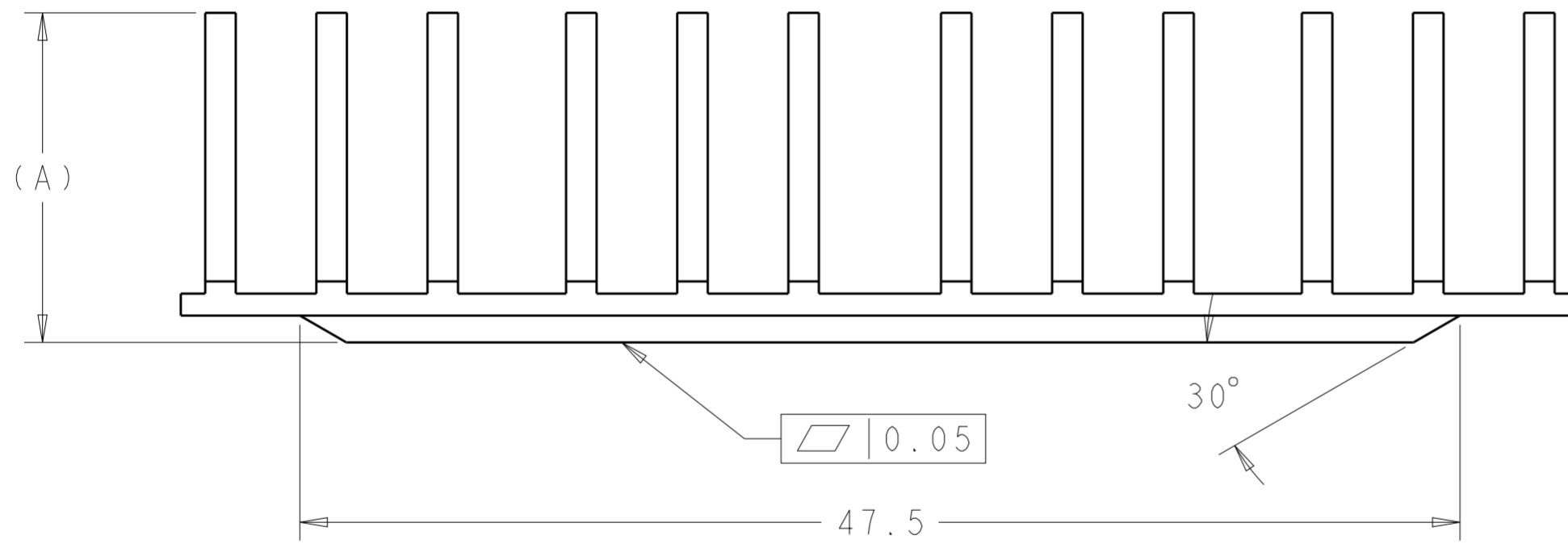


THIS DRAWING IS UNPUBLISHED. RELEASED FOR PUBLICATION 20
 © COPYRIGHT 20 BY - ALL RIGHTS RESERVED.

| LOC | DIST | REVISIONS | | | |
|-----|------|-------------|-----------------|-----------|-------|
| P | LTR | DESCRIPTION | DATE | DWN | APVD |
| - | - | A | MASS PRODUCTION | 03NOV2016 | PP SH |



SCALE 4:1



SCALE 5:2

NOTES: UNLESS OTHERWISE SPECIFIED:

- 1. MATERIAL: ALUMINUM
- 2. INTERPRET DRAWING PER ASME Y14.5M - 1994.
- 3. FINISH: ANODIZED BLACK
- 4. FINISH: NICKEL PLATED
- 5. 0.20mm MAX BURR
- 6. VARIATION IN PLATING COLOR IS NORMAL AND ALLOWD
- 7. RoHS COMPLIANT AND CERTIFIED

| | | | |
|-------|--------|----------|-------------|
| 12.7 | 4 | 1 | 2170488-8 |
| 12.7 | 3 | 1 | 2170488-6 |
| 13.5 | 4 | 1 | 2170488-4 |
| 13.5 | 3 | 1 | 2170488-2 |
| DIM A | FINISH | MATERIAL | PART NUMBER |

| | | | | |
|--|--|---------------------------|--|--|
| THIS DRAWING IS A CONTROLLED DOCUMENT. | | DWN ROBERT 06 JAN 2013 | STE TE Connectivity | |
| | | CHK JASON 06 JAN 2013 | | |
| DIMENSIONS: mm | | APVD ALEX CAI 06 JAN 2013 | NAME XFP, MSA NET WORK HEATSINK WITH LIGHT PIPE SLOT | |
| TOLERANCES UNLESS OTHERWISE SPECIFIED: | | PRODUCT SPEC | SIZE CAGE CODE DRAWING NO RESTRICTED TO | |
| 0 PLC ± | | APPLICATION SPEC | A200779 C-2170488 | |
| 1 PLC ±0.25 | | WEIGHT | SCALE 1:1 SHEET 1 OF 1 REV A | |
| 2 PLC ±0.15 | | CUSTOMER DRAWING | | |
| 3 PLC ± | | | | |
| 4 PLC ± | | | | |
| ANGLES ±3 | | | | |
| FINISH | | | | |
| ALUMINUM | | | | |

Mouser Electronics

Authorized Distributor

Click to View Pricing, Inventory, Delivery & Lifecycle Information:

[TE Connectivity:](#)

[2170488-6](#)