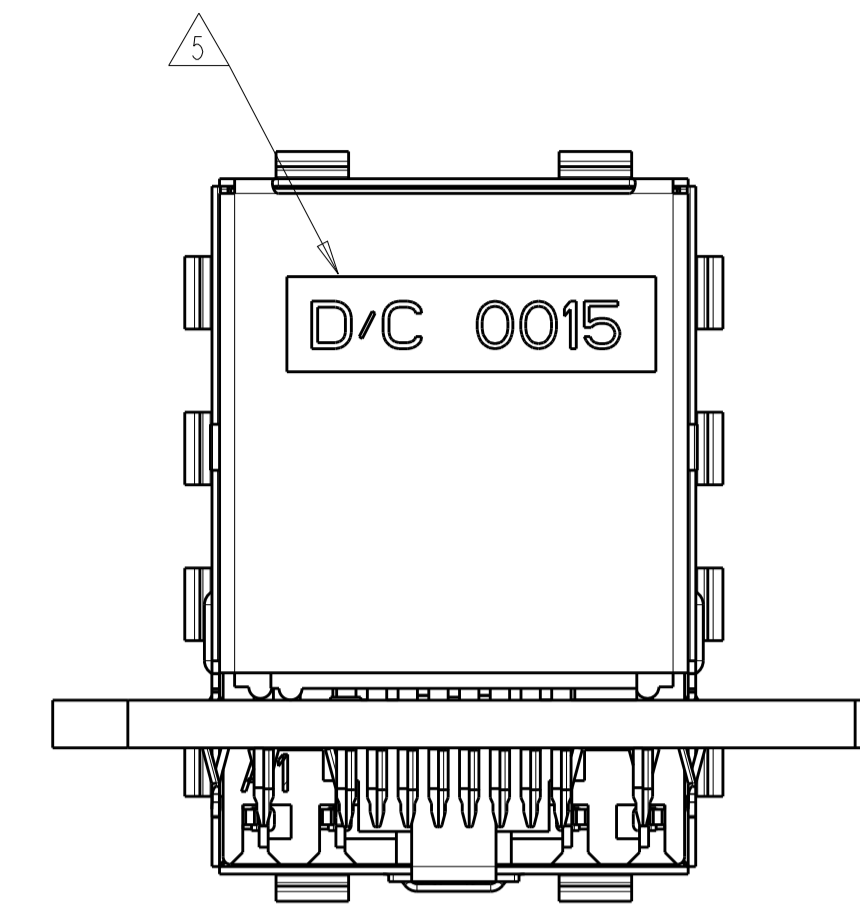
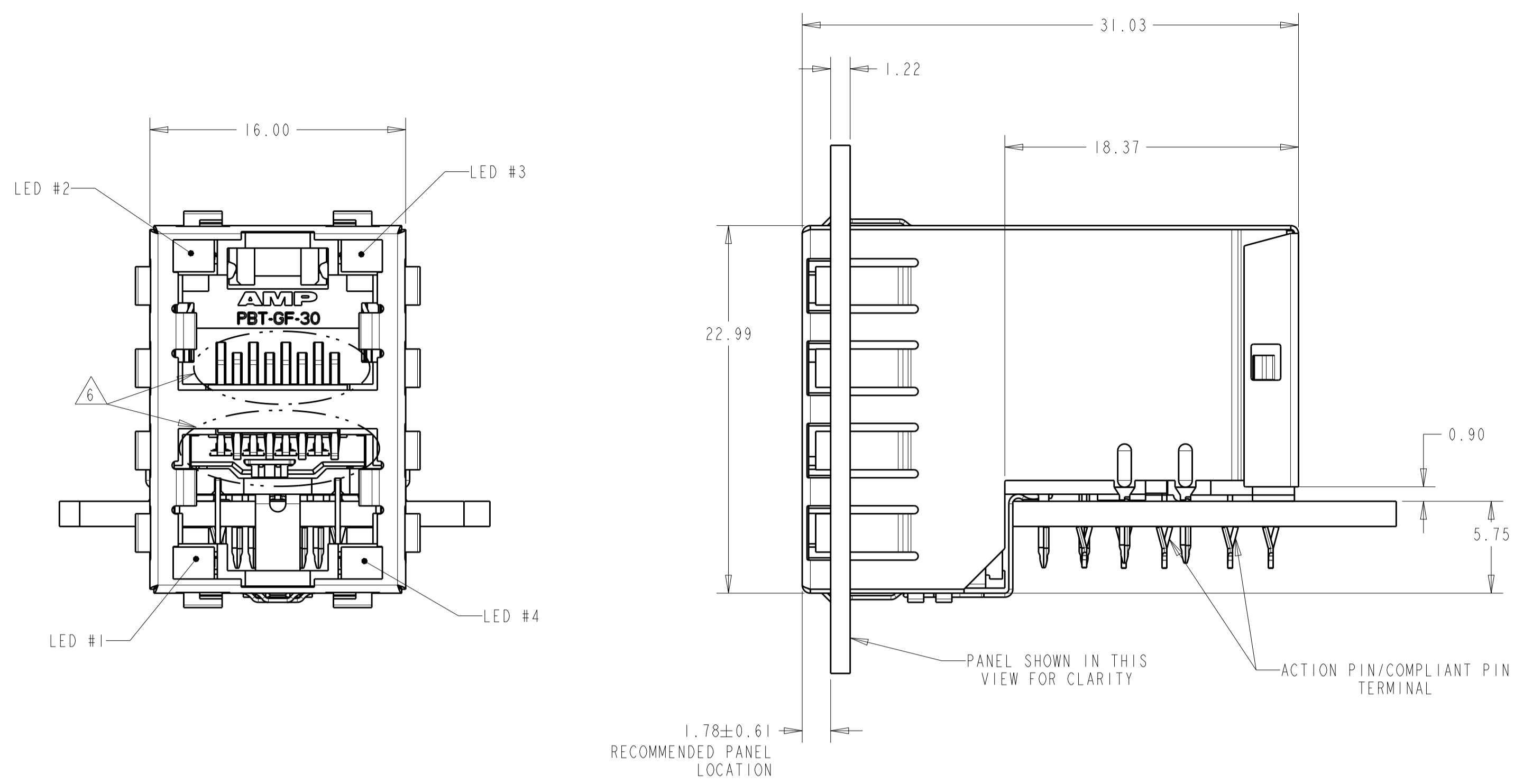
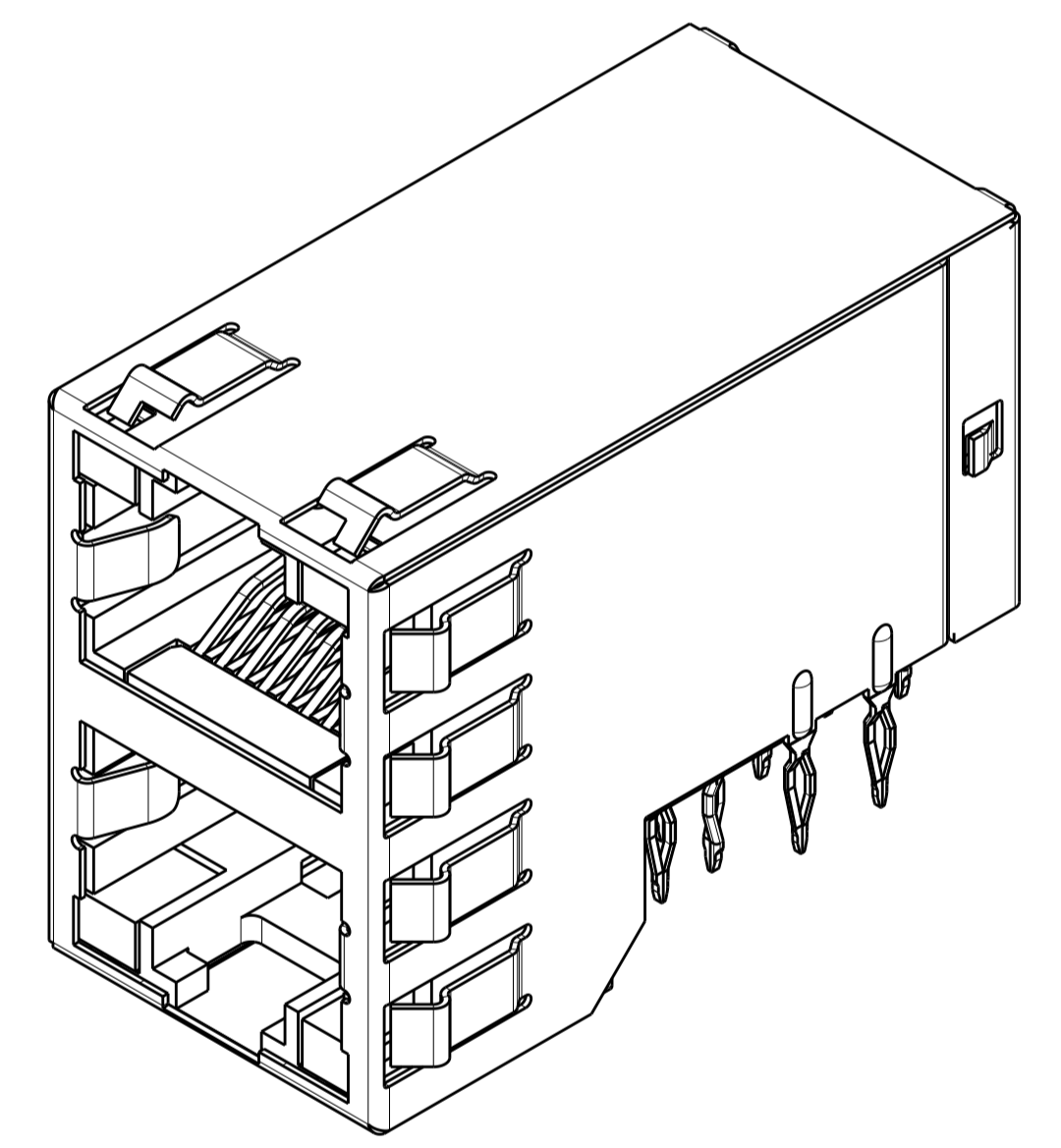
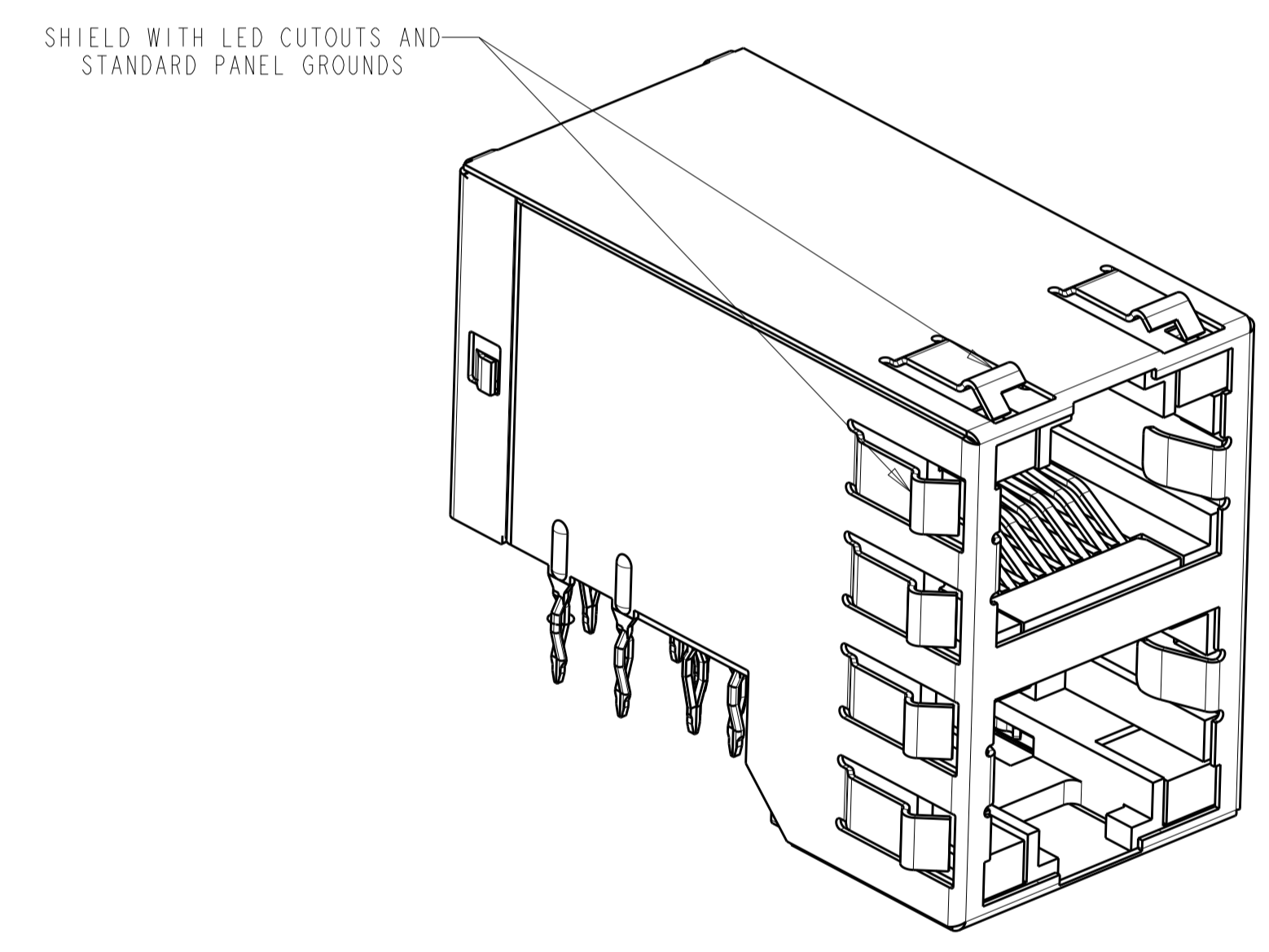


LOC		DIST		REVISIONS			
AA	00	P	LTN	DESCRIPTION	DATE	OWN	APVD
		-		SEE SHEET 1	-	-	-



6368168-6 SHOWN SHEET 2



THIS DRAWING IS A CONTROLLED DOCUMENT.		OWN: A. FERNANDEZ-DOCK 28 JUL 2005	
DIMENSIONS: mm		CHK: J. WESTMAN 28 JUL 2005	
TOLERANCES UNLESS OTHERWISE SPECIFIED:		APVD: S. FELCKINGER 28 JUL 2005	NAME: STACKED MODULAR JACK ASSEMBLY, 2X1, 8 POSITION, SHIELDED PANEL GROUND, OFFSET, CAT 5
0 PLC ±		PRODUCT SPEC: 108-1854	
1 PLC ±0.1		APPLICATION SPEC: 114-2160	SIZE: A1 CAGE CODE: 00779 DRAWING NO: 6368168
2 PLC ±0.13		WEIGHT: -	
3 PLC ±		FINISH: SEE NOTE 1	SCALE: 3:1 SHEET 2 OF 2 REV G
4 PLC ±		MATERIAL: SEE NOTE 1	
ANGLES ±		CUSTOMER DRAWING	

Mouser Electronics

Authorized Distributor

Click to View Pricing, Inventory, Delivery & Lifecycle Information:

[TE Connectivity:](#)

[6368168-4](#)