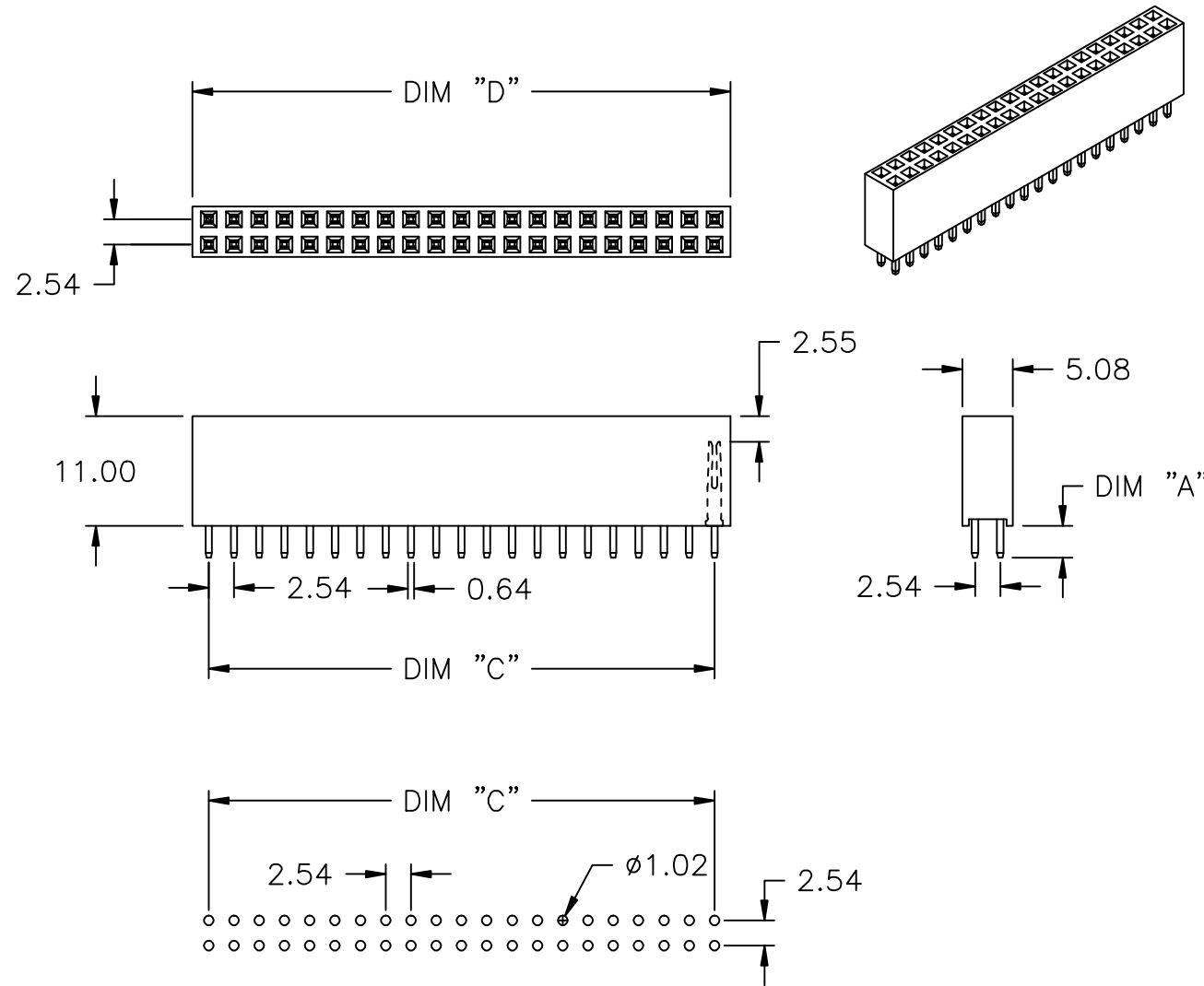


3M™ CONNECTOR FOR PC104 EMBEDDED SYSTEM APPLICATIONS,  
COMPLIANT AND BUS COMPATIBLE



RECOMMENDED P.C.B LAYOUT  
TOLERANCES:  $\pm 0.05\text{mm}$

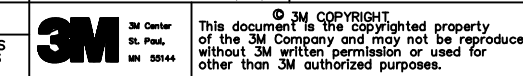
TYPE	PART NO.	DIM "A"	DIM "C"	DIM "D"	MIN STANDOFF	MAX STANDOFF
40-PIN COMPLIANT NON-STACK-THRU SOLDER	4P01-2A02-XX	3.20	48.26	51.50	15.0	
40-PIN BUS COMPATIBLE STACK-THRU SOLDER	4P01-2B02-XX	6.00	48.26	51.50	11.3	13.0
40-PIN COMPLIANT STACK-THRU SOLDER	4P01-2C02-XX	7.90	48.26	51.50	11.3	14.9
40-PIN COMPLIANT STACK-THRU SOLDER	4P01-2D02-XX	12.00	48.26	51.50	15.0	19.0
64-PIN COMPLIANT NON-STACK-THRU SOLDER	4P02-2A02-XX	3.20	78.74	81.98	15.0	
64-PIN BUS COMPATIBLE STACK-THRU SOLDER	4P02-2B02-XX	6.00	78.74	81.98	11.3	13.0
64-PIN COMPLIANT STACK-THRU SOLDER	4P02-2C02-XX	7.90	78.74	81.98	11.3	14.9
64-PIN COMPLIANT STACK-THRU SOLDER	4P02-2D02-XX	12.00	78.74	81.98	15.0	19.0

-XX IS PLATING TYPE

NOTES:

- MATERIAL:  
CONTACT MATERIAL: PHOSPHOR BRONZE  
INSULATOR MATERIAL: POLYESTER NYLON-6T  
UL 94V-0
- PLATING:  $\mu\text{M}[\mu\text{m}]$   
-DA  
0.08[3] MIN Au FEMALE CONTACTS  
0.08[3] MIN Au MALE CONTACTS  
1.27[50] MIN Ni UNDERCOAT  
-MG  
0.38[15] MIN Au FEMALE CONTACTS  
0.08[3] MIN Au MALE CONTACTS  
1.27[50] MIN Ni UNDERCOAT  
-SL  
0.38[15] MIN Au FEMALE CONTACTS  
2.54[100] MIN Sn NON-STACK-THRU TAILS  
1.27[50] MIN Ni UNDERCOAT
- CURRENT RATING: 3 AMPS  
INSULATOR RESISTANCE: 5000 MEGA OHMS MIN  
CONTACT RESISTANCE: 20 MILLIOHMS MAX  
DIELECTRIC WITHSTAND: 1000 VAC  
OPERATING TEMPERATURE:  $-40^{\circ}\text{C}$  TO  $+105^{\circ}\text{C}$   
MAX PROCESSING TEMPERATURE;  $230^{\circ}\text{C}$  FOR 60 SECONDS  
 $260^{\circ}\text{C}$  FOR 10 SECONDS
- SEE THE REGULATORY INFORMATION APPENDIX (RIA) IN THE "ROHS COMPLIANCE" SECTION OF: [WWW.3MCONNECTOR.COM](http://WWW.3MCONNECTOR.COM) FOR COMPLIANCE INFORMATION (RIA E1 & C1 APPLY).
- IN THE EVENT OF CONFLICT BETWEEN THIS DATA AND THAT CONTAINED IN THE PRODUCT SPEC., THE PRODUCT SPEC. TAKES PRECEDENT.
- REFERENCE DOCUMENT 78-9101-3959-7
- PART NO: SEE TABLE

DESIGN REFERENCE	NEXT ASSEMBLY	REV	ECO	ISSUE DATE AND DESCRIPTION	DRFT	CHKD
				DATE 02/02/11 MFG		DATE
				DATE 02/02/11 APPL		DATE
DO NOT SCALE DRAWING		SCALE		TOLERANCES EXCEPT AS NOTED		
THIRD ANGLE PROJECTION		INCHES		MILLIMETERS		
INTERPRET PER ASME Y14.5 - 1994		0 ±		0 ± .3		
MAX SURFACE ROUGHNESS		0.00 ±		0.00 ± .20		
☐ ALL SURFACES		0.00 ±		0.00 ±		
☑ MARKED ONLY		ANGLES ±		CAGE NUMBER		
				DRAWING NO. 78-5100-2392-8		
				REV. A		
				MODEL		
				DET. LISTS YES NO SHT 1 OF 2		



TITLE  
4P0X-2X02-XX, PC104,  
COMPLIANT, CONNECTORS

3M™ CONNECTOR FOR PC104 EMBEDDED SYSTEM APPLICATIONS,  
COMPLIANT AND BUS COMPATIBLE

## PC104 CONNECTOR ORDERING GUIDE

4P 0 X - 2 X 0 2 - XX

PRODUCT FAMILY: PC104

No. CONTACTS:  
1=40  
2=64

PLATING OPTIONS:  $\mu\text{M}[\mu\text{"}]$

BODY HEIGHT:	TAIL LENGTH:	STANDOFF HEIGHT: [MIN-MAX]mm
A=11.0	3.2	[15.0-]
B=11.0	6.0	[11.3-13.0]
C=11.0	7.9	[11.3-14.9]
D=11.0	12.0	[15.0-19.0]

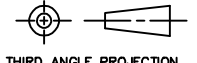

DA = 0.08[3] MIN Au ALL OVER  
1.27[50] MIN Ni ALL OVER

MG = 0.38[15] MIN Au FEMALE CONTACTS  
0.08[3] MIN Au TAIL AREA  
1.27[50] MIN Ni ALL UNDER

SL = 0.38[15] MIN Au FEMALE CONTACTS  
2.54[100] MIN MATTE Sn TAILS  
1.27[50] MIN Ni ALL UNDER  
(NON-STACK-THRU ONLY)

TAIL TYPE:  
2=SOLDER

NOTE: STANDOFF HEIGHT, 15mm = COMPLIANT,  
OTHERS = BUS COMPATIBLE  
TAIL LENGTH, > 4.3mm = STACK-THRU  
< 4.2mm = NON-STACK-THRU

DESIGN REFERENCE	NEXT ASSEMBLY	REV	ECO	ISSUE DATE AND DESCRIPTION	DRFT	CHKD
				DATE 02/02/11 MFG		
				DATE 02/02/11 APPL		
DO NOT SCALE DRAWING  THIRD ANGLE PROJECTION INTERPRET PER ASME Y14.5 - 1994		SCALE TOLERANCES EXCEPT AS NOTED INCHES .0 ± .00 ± .000 ± .0000 ± MILLIMETERS 0 ± .0 ±.3 .00 ±.20 .000 ± MAX SURFACE ROUGHNESS <input type="checkbox"/> ALL SURFACES <input checked="" type="checkbox"/> MARKED ONLY		 3M Center St. Paul, MN 55144 © 3M COPYRIGHT This document is the copyrighted property of the 3M Company and may not be reproduced without 3M written permission or used for other than 3M authorized purposes.		
TITLE 4P0X-2X02-XX, PC104, COMPLIANT, CONNECTORS		CAGE NUMBER 78-5100-2392-8		DRAWING NO. 78-5100-2392-8		REV. A
MODEL ANGLS ±		DET. LISTS YES NO		SHT 2 OF 2		

# Mouser Electronics

Authorized Distributor

Click to View Pricing, Inventory, Delivery & Lifecycle Information:

[3M:](#)

[4P01-2H02-DA](#)