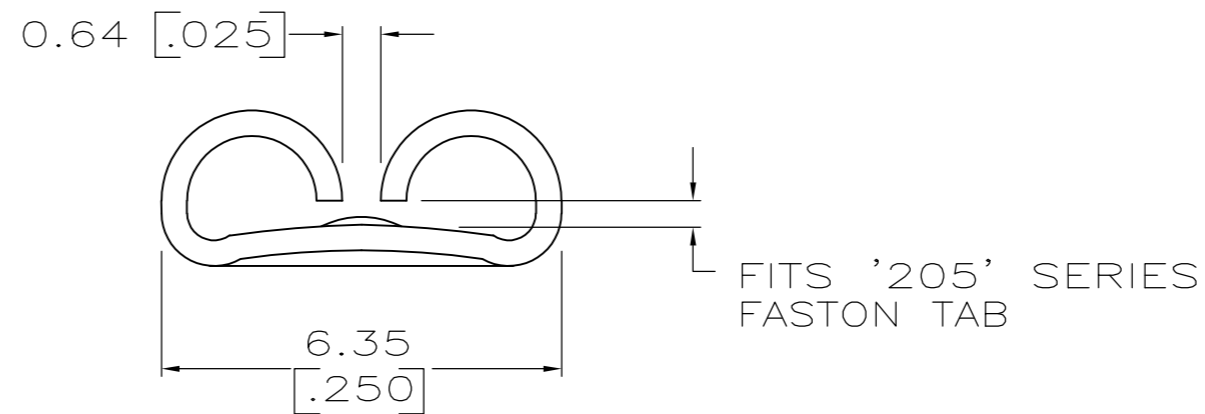
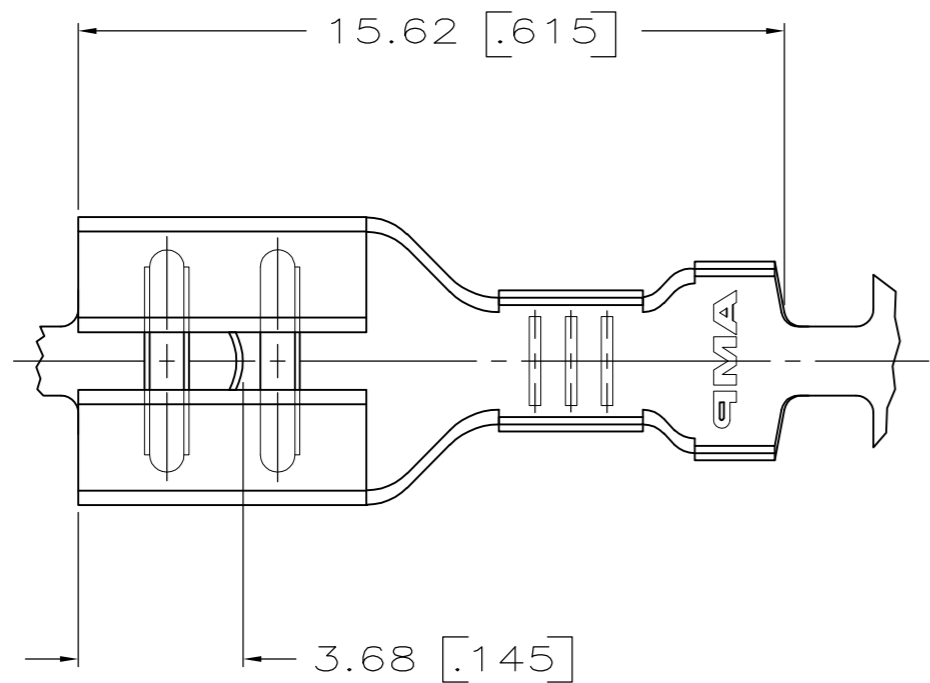


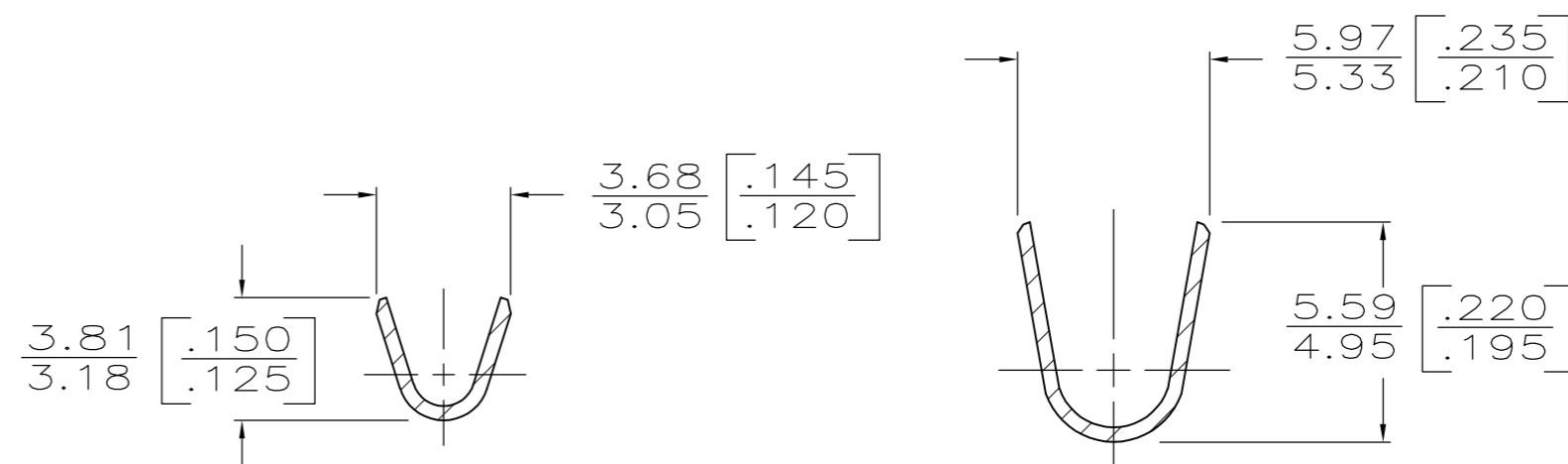
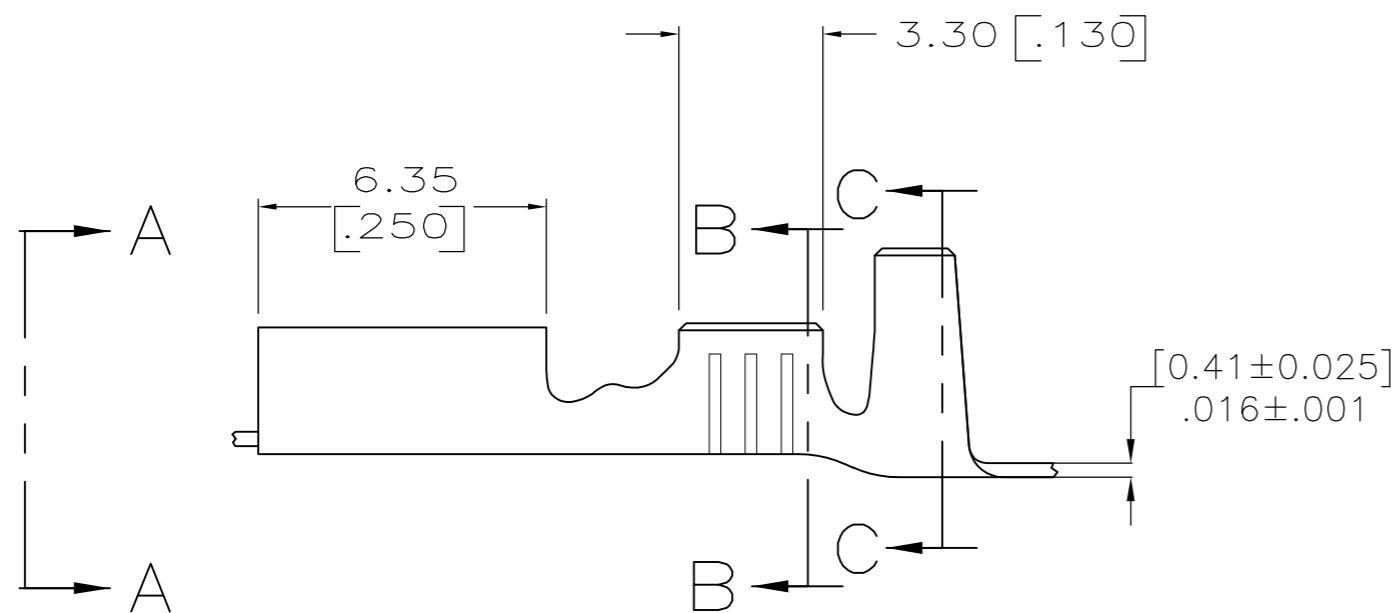
THIS DRAWING IS UNPUBLISHED. RELEASED FOR PUBLICATION
 © COPYRIGHT - By - ALL RIGHTS RESERVED.

| LOC | | DIST | | REVISIONS | | | |
|-----|-----|-------------|---------------------------|-----------|-----|------|--|
| P | LTR | DESCRIPTION | | DATE | DWN | APVD | |
| AF | 50 | W | REVISED PER ECR-12-013445 | 09NOV12 | KH | PD | |

- 1 DIMENSIONS IN BRACKETS ARE IN INCHES.
- 2 CONTINUOUS STRIP ON REELS



VIEW A-A
SCALE 8:1



SECTION B-B

SECTION C-C

| | | | | | |
|--------------------------|-----------------------------------|--------|-------------|------------------------------|-------------|
| 3.30-4.57 [.130-.180] | 0.8-2.0mm ² [18-14] | - | #4 PHOS BRZ | 0.81 [.032] | 42233-8 OBS |
| | | TIN | #4 PHOS BRZ | | 42233-7 |
| | | SILVER | #4 PHOS BRZ | | 42233-6 |
| | | GOLD | 4M BRASS | | 42233-5 OBS |
| | | GOLD | 4M BRASS | | 42233-4 OBS |
| | | SILVER | 4M BRASS | | 42233-3 OBS |
| | | TIN | BRASS | | 42233-2 |
| | | - | 4M BRASS | | 42233-1 OBS |
| INSUL RANGE | WIRE SIZE | FINISH | MATERIAL | MATING TAB THK ±0.025[±.001] | PART NO |

| | | | | | |
|--|--|------------------|---------------------------------|------------|---------------------------|
| THIS DRAWING IS A CONTROLLED DOCUMENT. | | DWN | JR RUTH | 5/15/89 | TE TE Connectivity |
| DIMENSIONS: mm [INCHES] | | CHK | MS FEHER | 5/15/89 | |
| TOLERANCES UNLESS OTHERWISE SPECIFIED: | | APVD | MS FEHER | 5/15/89 | |
| 0 PLC ± - 1 PLC ± - 2 PLC ± - 3 PLC ± 0.025 .010 4 PLC ± - ANGLES ± - | | PRODUCT SPEC | NAME | | |
| MATERIAL SEE TABLE | | APPLICATION SPEC | RECEPTACLE, FASTON, .205 SERIES | | RESTRICTED TO |
| FINISH SEE TABLE | | WEIGHT | - | SIZE | A2 |
| | | CUSTOMER DRAWING | SCALE | 6:1 | SHEET 1 of 1 |
| | | | | DRAWING NO | C=42233 |
| | | | | REV | W |