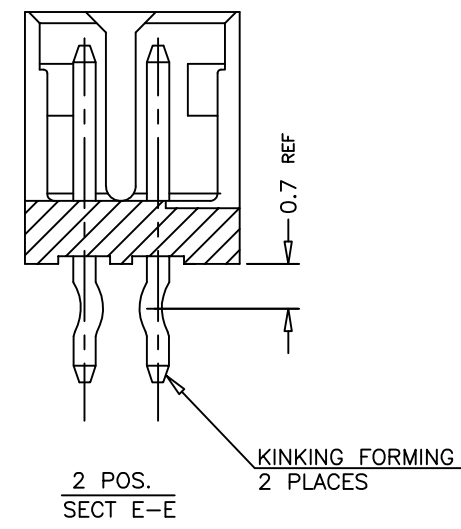
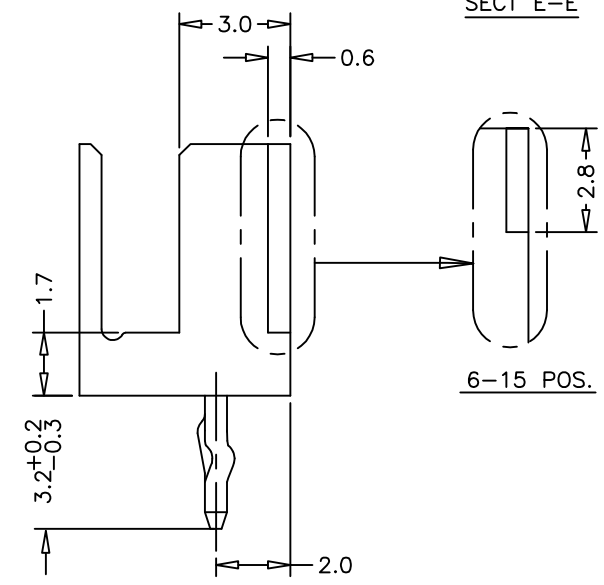
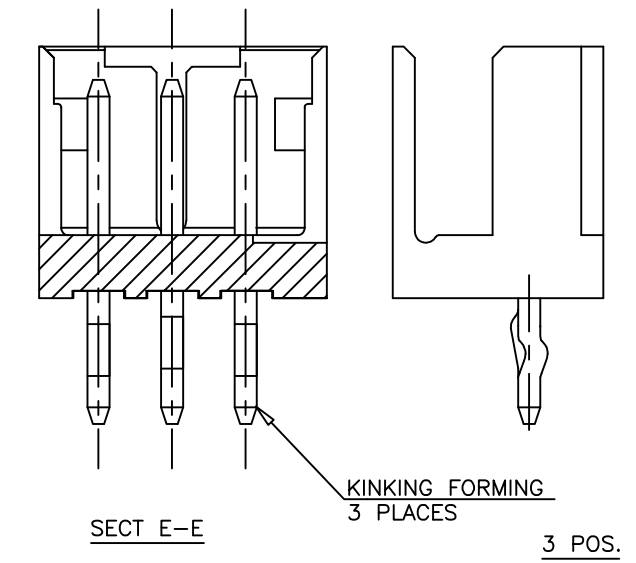
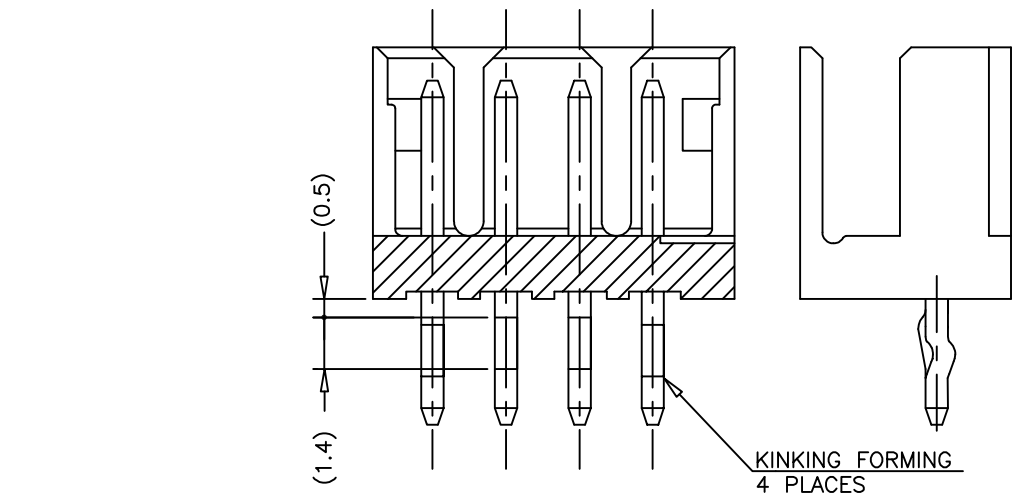
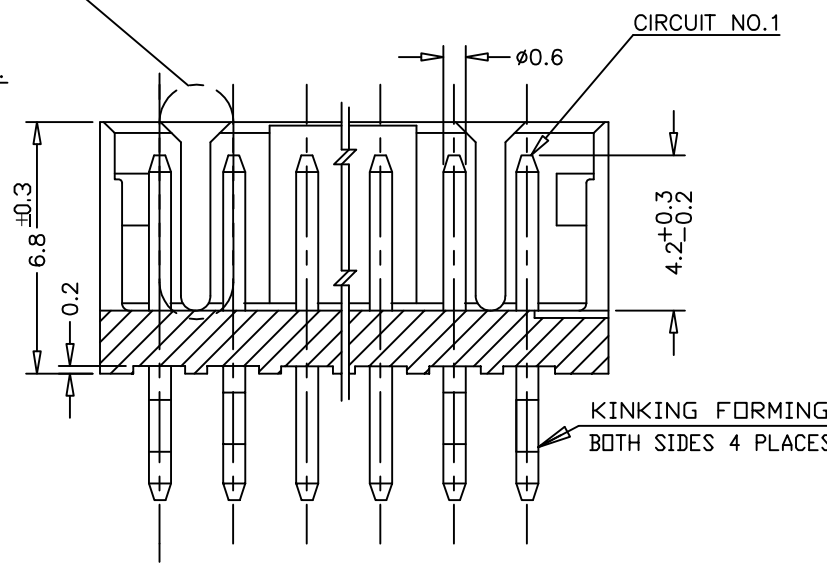
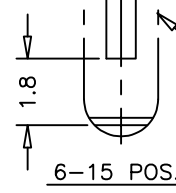
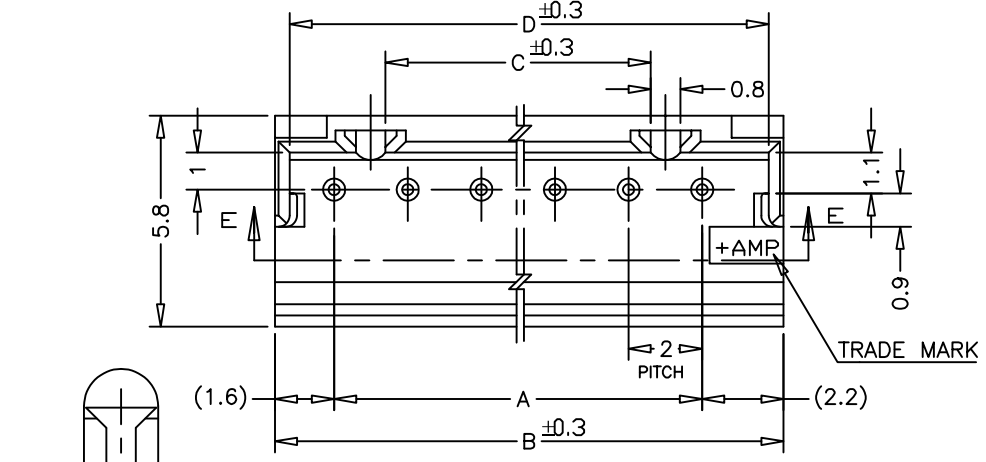
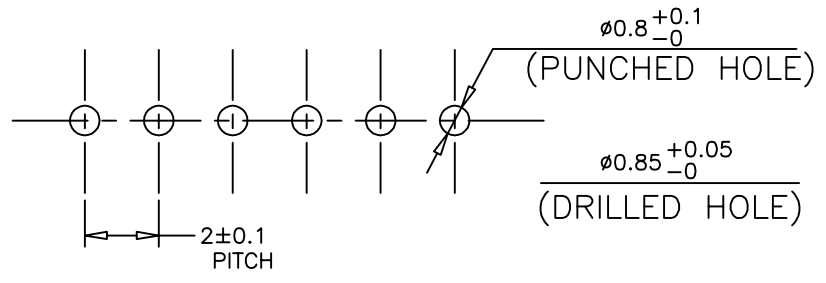


THIS DRAWING IS UNPUBLISHED. RELEASED FOR PUBLICATION
 © COPYRIGHT - By - ALL RIGHTS RESERVED.

LOC	DIST	REVISIONS					
FB	00	P	LTR	DESCRIPTION	DATE	DWN	APVD
		P1	REVISED	ECR-14-006619	13MAY14	T.Q	W.H



NOTES:
 1 MATERIAL : HOUSING-66 NYLON (UL94V-0)
 POST -GOLD-PLT BRASS
 2 APPLICABLE RECEPTACLE : P/N 176392



NOT ACCUMULATED TOLERANCE

RECOMMENDABLE P.C. BOARD LAYOUT
 (PCB THK : 0.8-1.6)

NATURAL (WHITE)	1-292134-5	15	28	31.8	25.2	31.0
	1-2	12	22	25.8	19.2	25.0
	1-	10	18	21.8	15.2	21.0
		9	16	19.8	13.2	19.0
		6	10	13.8	7.2	13.0
		5	8	11.8	5.2	11.0
		4	6	9.8	3.2	9.0
		3	4	7.8	—	7.0
	292134-2	2	2	5.8	—	5.0
COLOR	P/N	POS.	A	B	C	D

THIS DRAWING IS A CONTROLLED DOCUMENT.		DWN	S.XU	31JAN03	TE Connectivity POST HEADER ASS'Y (BOX-V) GOLD PLT TYPE (AMP CT CONNECTOR 2mm PITCH)			
DIMENSIONS: mm		CHK	S.YAO	31JAN03				
TOLERANCES UNLESS OTHERWISE SPECIFIED: ±0.2		APVD	T.SASAKI	31JAN03				
0-PLG ± 1-PLG ± 2-PLG ± 3-PLG ± 4-PLG ± ANGLES ±-		NAME		108-60016				
MATERIAL: SEE NOTE		FINISH: SEE NOTE		APPLICATION SPEC	SIZE	CAGE CODE	DRAWING NO	RESTRICTED TO
		WEIGHT		—	A3	00779	C=292134	—
CUSTOMER DRAWING				SCALE	5:1	SHEET	1 of 1	REV
								P1

Mouser Electronics

Authorized Distributor

Click to View Pricing, Inventory, Delivery & Lifecycle Information:

[TE Connectivity:](#)

[292134-9](#)