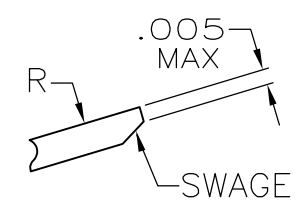
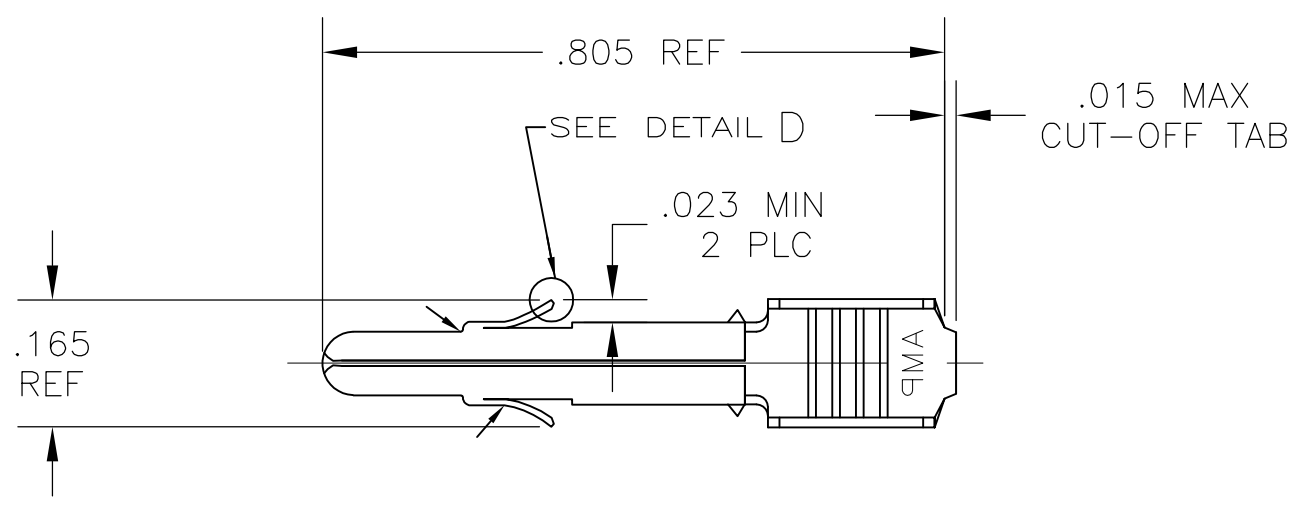


THIS DRAWING IS UNPUBLISHED. RELEASED FOR PUBLICATION  
 © COPYRIGHT - By - ALL RIGHTS RESERVED.

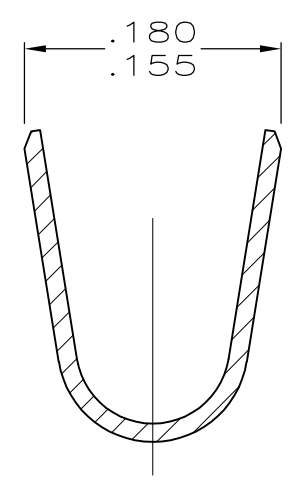
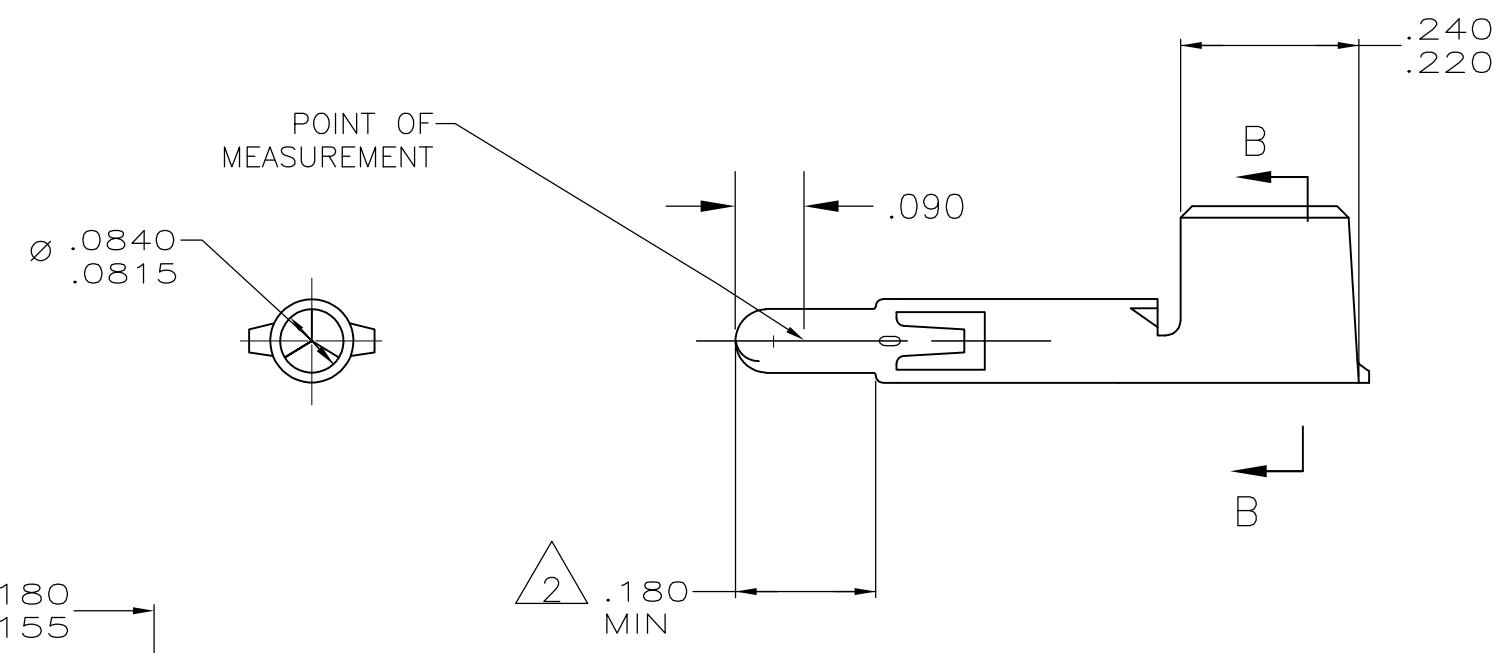
LOC	DIST	REVISIONS					
		P	LTR	DESCRIPTION	DATE	DWN	APVD
CM	00		J2	REV PER ECO 11-020508	11OCT11	JR	PD
			J3	REVISED PER ECR-14-004102	28MAR14	AV	KD



DETAIL C  
SCALE 20:1



- WIRE RANGE : 12-10 AWG  
INSULATION RANGE: .200 DIA MAX  
(LIMITED BY THE CONNECTOR HOUSING CAVITY).
- PLATED WITH .000030 GOLD, OVER  
.000050 NICKEL UNDERPLATE.



SECTION B-B  
SCALE 10:1

GOLD $\triangle 2$	.012 PHOS. BRZ.	640309-6
PRE-TIN	.12 PHOS. BRZ.	640309-3
FINISH	MATERIAL	PART NUMBER

THIS DRAWING IS A CONTROLLED DOCUMENT.		DWN	JR RUTH	11OCT11	TE Connectivity PIN, UNIVERSAL MATE-N-LOK(TM)			
DIMENSIONS: INCHES		CHK	TOM MICHIELUTTI	11OCT11				
TOLERANCES UNLESS OTHERWISE SPECIFIED:		APVD	TOM MICHIELUTTI	11OCT11				
0 PLC ± - 1 PLC ± - 2 PLC ± - 3 PLC ± .015 4 PLC ± - ANGLES ± -		NAME						
MATERIAL	FINISH	PRODUCT SPEC	-		SIZE	CAGE CODE	DRAWING NO	RESTRICTED TO
		APPLICATION SPEC	-		A3	00779	C-640309	-
CUSTOMER DRAWING			WEIGHT	-	SCALE	4:1	SHEET	1 OF 1
							REV	J3

# Mouser Electronics

Authorized Distributor

Click to View Pricing, Inventory, Delivery & Lifecycle Information:

[TE Connectivity:](#)

[640309-6](#)