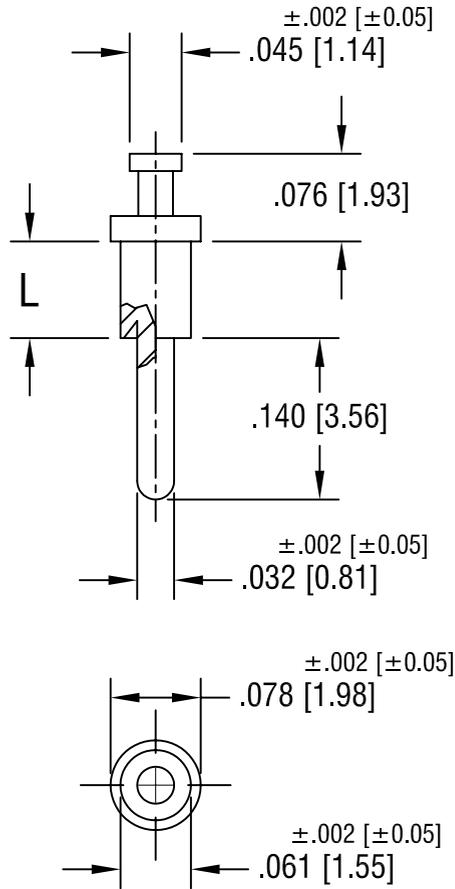


THIS DOCUMENT IS THE PROPERTY OF
KEYSTONE ELECTRONICS CORP. AND
SHALL NOT BE REPRODUCED, DISTRIBUTED
OR USED AS A BASIS FOR MANUFACTURE
WITHOUT PRIOR WRITTEN PERMISSION
FROM KEYSTONE ELECTRONICS CORP.



PART NO.	'L' DIM.
1633-1	.054 [1.37]
1633-2	.084 [2.13]
1633-3	.115 [2.92]
1633-4	.147 [3.73]

			KEYSTONE ELECTRONICS CORP.		
			ASTORIA, N.Y. 11105-2017		
PART NAME			TERMINAL		
MATERIAL			BRASS		
FINISH			DRN BY	BOONE	DATE
TIN PLATE			APPD	LN	6.8.82
TOLERANCES			CODE	DWG NO.	
INCH [MM]			C/M	1633-	
DECIMAL $\pm .005$ [± 0.15]					
ANGULAR $\pm 1^\circ$					
UNLESS OTHERWISE SPECIFIED					
1.24.00	CHANGE AS PER ECN 00-008	B			
8.23.93	REVISED	A			
DATE	DESCRIPTION	REV.			

Mouser Electronics

Authorized Distributor

Click to View Pricing, Inventory, Delivery & Lifecycle Information:

[Keystone Electronics:](#)

[1633-3](#)